



ZCC2600 CRAWLER CRANE
SPARE PARTS CATALOG

Edition 3 March 2018

To customers

Thank you for purchasing our product. We will try our best to provide you with satisfactory and excellent service.

ZOOMLION crawler crane is a product integrating our many years' experience and advanced technologies. This catalog introduces the structure and assembling features of spare parts as well as the outer parts required in the main systems.

Carefully reading this spare parts catalog will save your repair and ordering time.

In order to understand use methods for this spare parts catalog, the meanings of signs in the catalog are shown as follows:

Sign	Meaning
■	Refers to standard configuration parts
▲	Refers to optional configuration parts I
△	Refers to optional configuration parts II
▼	Refers to optional configuration parts III
▽	Refers to optional configuration parts IV
•	Refers to optional parts for customers
★	Means the spare parts are explained in details
H	Refers to high-temperature region
L	Refers to low-temperature region
A	Means the spare parts can be exchanged
B	Means the spare parts can be replaced
C	Means the spare parts cannot be dismantled
D	Means the spare parts can be dismantled

Declaration

Our products and technical documents are subject to technical improvements and changes without notice. Therefore, please acquaint yourself with our updated technology information.

Content

To Customers	I
Chapter 1 Complete vehicle	1-1
1.1 ZCC2600 Crawler Crane D00663400002010000Z.....	1-2
1.2 Nameplate assemblyD00663407030000000Z.....	1-5
Chapter 2 Boom system	
2.1 Main boom assy. D00663400130000000Y	2-1
2.1.1 Main boom pivot section D00663400130200000Y.....	2-5
2.1.2 Main boom head section D00663400130400000Y	2-9
2.1.2.1 Pulley assy. D00663302100200002Y.....	2-13
2.1.2.2 Main boom head welded D00663400130410020Y	2-15
2.1.2.3 Assembly of off-ground limit switch D00663816400240000Y	2-17
2.1.2.4 Pulley assy. D00663400130420000Y	2-19
2.1.3 Tip boom assy. D00663400100800001Y.....	2-21
2.1.3.1 Pulley assy. D00663302100200002Y	2-23
2.1.4 3m main boom intermediate section D00663400130600000Y	2-25
2.1.5 6m main boom intermediate section D00663400130800000Y	2-27
2.1.6 9m main boom intermediate section D00663400131000000Y	2-29
2.1.7 4m reducing section D00663400131200000Y	2-31
2.1.8 Angle indicator D00663300102200000Y.....	2-33
2.1.9 Main boom pivot section attachments assembly D00663400132600000Y.....	2-35
2.1.10 Main boom head section attachments assembly D00663400133600000Y	2-37
2.1.11 3m main boom intermediate section attachments assembly D00663400132800000Y.....	2-39
2.1.12 6m main boom intermediate section attachments assembly D00663400133000000Y.....	2-41
2.1.13 9m main boom intermediate section attachments assembly D00663400133200000Y.....	2-43
2.1.14 4m reducing section attachments assembly D00663400133400000Y.....	2-45
2.2 Main boom tilting-back support D00663403120200000Y.....	2-47
2.3 Main boom assembly D00663404710400000Y	2-49
2.4 Fixed jibD00663300200000001Y	2-51

2.4.1 Fixed jib head section assy. D00663300200600002Y	2-53
2.4.1.1 Fixed jib head section D00663300200610002Y.....	2-55
2.4.1.2 Running wheel assembly D00663300200620001Y.....	2-57
2.4.1.3 Pulley assy. D00663302100200002Y	2-59
2.4.2 Fixed jib pivot section D00663300200200000Y.....	2-61
2.4.3 6m Fixed jib intermediate section D00663300200400001Y	2-63
2.5 FA-frame D00663307800000002Y	2-65
2.5.1 Pulley assy. D00663302100200002Y.....	2-67
2.6 Rear tilting-back support of fixed jib D00663303100400000Y	2-69
2.7 Front tilting-back support of fixed jib D00663303100600000Y	2-71
2.8 Support rod D00663303101400000Y.....	2-73
2.9 Booming bolting cylinder D00663305300000000Y	2-75
2.10 Luffing jib assy. D00663406630200000Y.....	2-77
2.10.1 Luffing jib pivot section assy. D00663406630200000Y	2-79
2.10.1.1 Luffing jib pivot section welded D00663406630210000Y	2-81
2.10.2 3m luffing jib intermediate section (7mm) D00663406630400000Y.....	2-85
2.10.3 6m luffing jib intermediate section (7mm) D00663406630600000Y.....	2-87
2.10.4 9m luffing jib intermediate section (7mm) D00663406630800000Y.....	2-89
2.10.5 Luffing jib head section assy. D00663406631000000Y	2-91
2.10.5.1 Luffing jib head section welded D00663406631010000Y	2-93
2.10.5.2 Pulley assy. D00663302100200002Y.....	2-97
2.10.5.3 Running wheel assy. D00663300200620001Y.....	2-99
2.10.5.4 Assembly of off-ground limit switch D00663816400240000Y.....	2-101
2.10.6 9m luffing jib intermediate section D00663406631200000Y	2-103
2.11 Tilting-back support of luffing jib D00663403101200003Y	2-105
2.12 Rear tilting-back support of luffing jib D00663403120400000Y	2-107
2.13 WA-frame 1 D00663408030000000Y.....	2-109
2.13.1Pulley assy. D00663302100200002Y	2-111
2.14 WA-frame 2 D00663407930000000Y.....	2-113
2.14.1 Pulley assy. D00663302100200002Z.....	2-115
2.15 Accumulator cylinder assembly D00663403101000000Y	2-117
2.16 Heavy fixed jib assy. D00663400300000000Y	2-119
2.16.1Heavy fixed jib D00663400300200000Y.....	2-121

2.16.2 Pulley assy. D00663302100200002Y	2-123
2.17 Main boom anchoring rods D00663405420200000Y	2-125
2.18 Fixed jib rear anchoring rods D00663405400400001Y	2-127
2.19 Fixed jib front anchoring rods D00663305400600000Y	2-129
2.20 Luffing jib rear anchoring rods D00663405420600000Y	2-131
2.21 Luffing jib front anchoring rods D00663405420400000Y	2-133
2.22 Light main boom anchoring rods D00663405421000000Y	2-135
2.23 Light main boom intermediate tensioner D00663405420800000Y	2-137
2.24 Heavy fixed jib front anchoring rods D00663405401400000Y	2-139
2.25 Fixed jib front anchoring rods (shield configuration) D00663405411000000Y	2-141
2.26 Fixed jib rear anchoring rods (shield configuration)D00663405411200000Y	2-143

Chapter 3 Power system

3.1 Exhaust system D00663401220000000Y	3-1
3.2 Air intake system D00663401400000000Z	3-3
3.3 Cummins engine fuel supply system D00663401120000000Y	3-5
3.4 Cooling system D00663301310000000Y	3-7
3.5 Engine and suspension system D00663401030000000Y	3-9
3.6 Oil pump drive system D00663203900000000Y	3-11
3.7 Intercooling system D00663200900000000Y	3-13

Chapter 4 Slewing table system

4.1 A-frame erection mechanism assembly D00663401900000001Z	4-1
4.2 Counterweight installation cylinder D1010200006Y	4-3
4.3 Boarding assy. D00663400510000000Y	4-5
4.4 Engine upper sealing plate D00663405110200000Y	4-11
4.5 Fixing device for slewing table D00663404710200000Y	4-13
4.6 Inclinator installation D00663404701000000Y	4-15
4.7 Mounting cylinder D00663403600000001Y	4-17
4.8 Engine bottom sealing plate D00663405110400000Y	4-19
4.9 Counterweight assembly D00663404920000000Y	4-21
4.10 Counterweight bolting cylinder D00663307100000001Y	4-23
4.11 Air conditioning system D00663407630000000Y	4-25

4.12 Sign board installation D00663304701400000Y.....	4-27
4.13 A-frame support pad assembly D00663304701000001Y.....	4-29
4.14 Reeving winch installation D00663404700600000Y.....	4-31
4.15 A-frame assy. D00663401810000000Y.....	4-33

Chapter 5 Hoisting winch

5.1 Main hoisting mechanism D00663403520200000Y.....	5-1
5.2 Auxiliary hoisting mechanism D00663403520400000Y.....	5-3
5.3 Reeving winch D00663408300000000Y.....	5-5
5.4 Main load hook(260t) D00663404110000000Y.....	5-7
5.4.1 Pulley assy. D00663804200430000Y.....	5-9
5.5 160\100t load hook D00663404210200000ZY.....	5-11
5.6 50t load hook D00663404200400002Y.....	5-13
5.7 30t load hook D00663304200600002Y.....	5-17
5.8 16t load hook D00663804200800000Y.....	5-19

Chapter 6 Derricking mechanism

6.1 Derricking pulley block D00663402100000001Y.....	6-1
6.1.1 Pulley assy. D00663027800420000Y.....	6-3
6.2 Derricking mechanism assy. D00663402020000000Y.....	6-5
6.2.1 Rope support assembly D00663402020800000Y.....	6-7

Chapter 7 Slewing mechanism

7.1 Slewing ring assembly D00663404520000000Y.....	7-1
7.2 Slewing mechanism D00663404400000000Y.....	7-3

Chapter 8 Control system

8.1 Operator's cab assembly D00663400710000000Y.....	8-2
8.2 Operator's cab D1130000067Y.....	8-3
8.3 Operator's cab luffing cylinder D1010200003Z.....	8-25

Chapter 9 Undercarriage system

9.1 Crawler carrier stair assembly D00663304700600001Y.....	9-1
---	-----

9.2 Crawler carrier bolting cylinder D0066330320000000Y	9-3
9.3 Outrigger plate assembly D0066340081000000Y.....	9-5
9.4 Left crawler carrier assy. D0066340242000000Y	9-7
9.4.1 Drive sprocket D1031400034-100038Y.....	9-11
9.4.2 Driven sprocket assy. D1031400003-100038Y	9-13
9.4.3 Track roller D1031400002-100038Y.....	9-15
9.4.4 Carrier roller D1031400001-100038Y	9-17
9.5 Right crawler carrier assy. D0066340252000000Y.....	9-19
9.6 Outrigger assembly D0066340582000000Y	9-23
9.7 Crawler carrier assembly D0066340961000000Z.....	9-25
9.8 Outrigger Cylinder D00663308410700000Z.....	9-27

Chapter 10 Electrical system

10.1 Operator's cab electrics D00663406230000001Y.....	10-1
10.2 Slewing table electrics D00663406350000000Y.....	10-3
10.3 Main boom electrics D00663406420200000Y	10-7
10.4 Fixed jib electrics D00663406420400000Y	10-9
10.5 Luffing jib electrics D00663406420600000Z	10-11
10.6 Hirschmann load moment limit assembly (standard boom configuration)	
D00663405610210001Y.....	10-13
10.7 Hirschmann load moment limit assembly (light boom configuration)	
D00663405610230000Y.....	10-15
10.8 Hirschmann load moment limit assembly (luffing jib configuration)	
D00663405610220000Y.....	10-17

Chapter 11 Hydraulic system

11.1 Hydraulic system diagram D00663401540000001Y.....	11-1
11.1.1 Bidirectional balance valve D1010300034-006500Y.....	11-3
11.1.2 Control valve D1010301868-006500Y.....	11-5
11.1.3 Bidirectional hydraulic lock D1010300280-006500Y.....	11-7
11.1.4 Check valve D1010300128-101260Y.....	11-9
11.1.5 Check valve D1010300133-101260Y.....	11-11
11.1.6 Check valve D1010300134-101260Y.....	11-13

11.1.7 Central revolving joint D1011200000-100027Y	11-15
11.2 Hydraulic oil tank assembly D00663404830200000Y	11-19

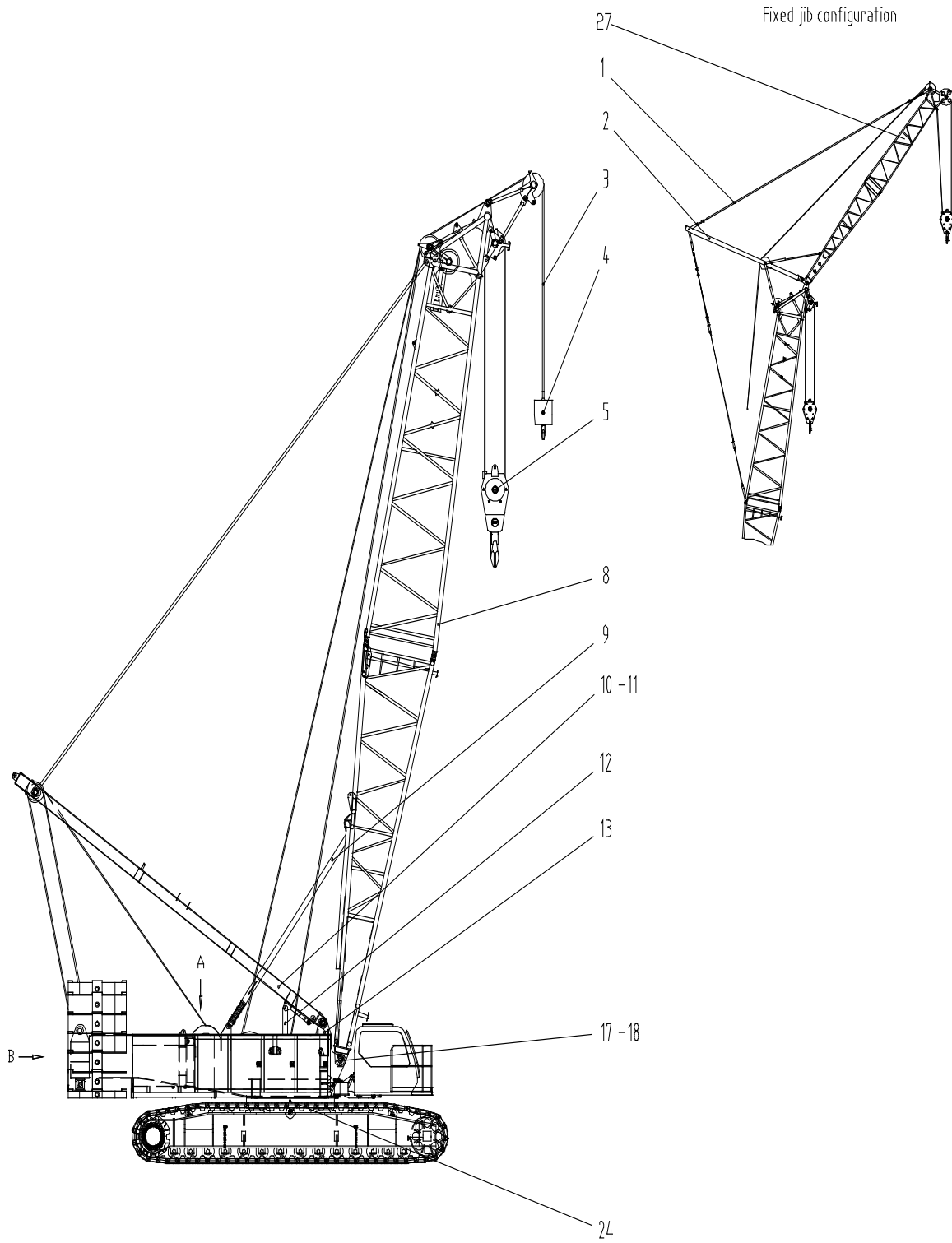


Crawler Crane Spare Parts Catalog

Chapter 1 Complete vehicle



ZCC2600 CRAWLER CRANE D00663400002010000Y

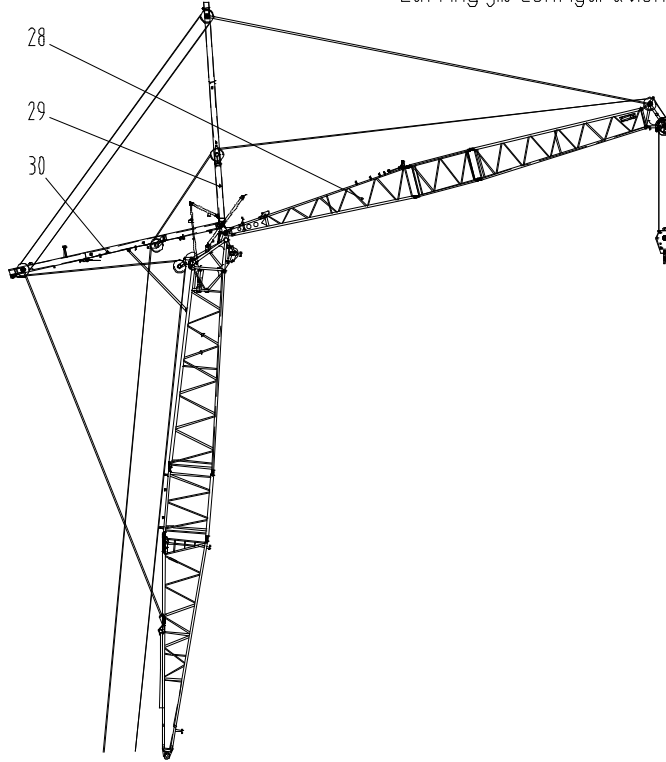


ZCC2600 CRAWLER CRANE D00663400002010000Y

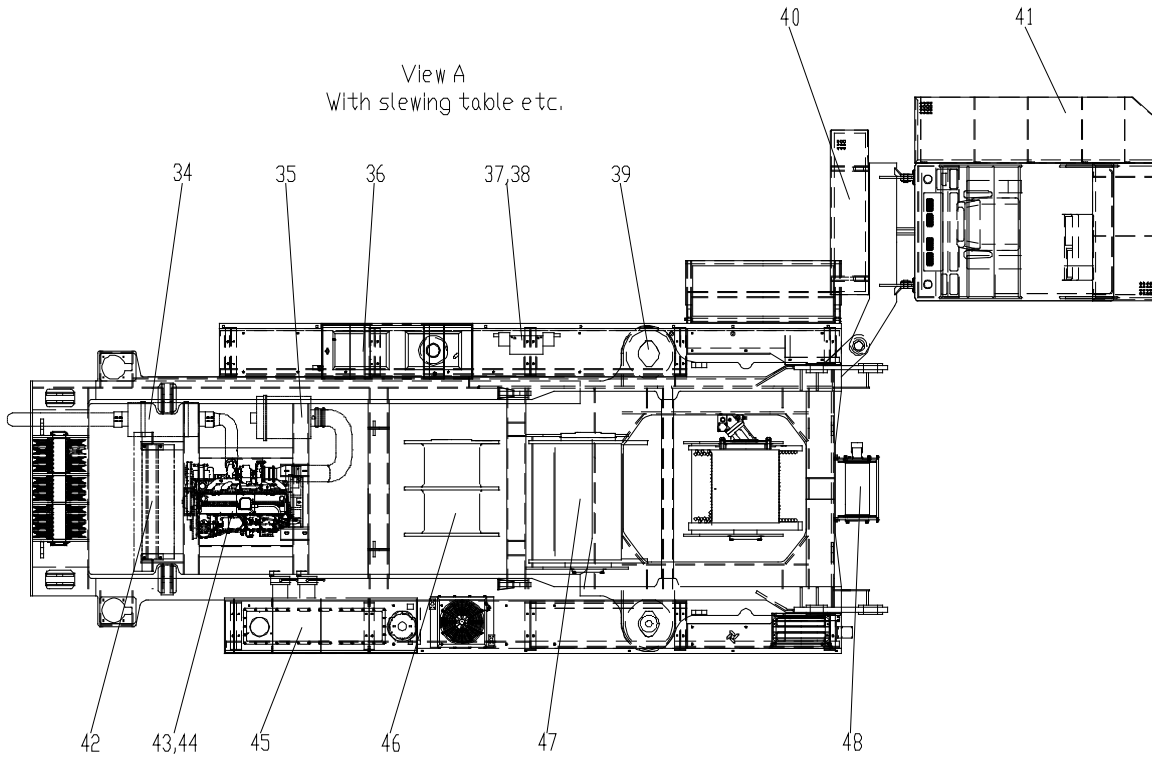
POS.	ITEM	DESCRIPTION & SPECIFICATION	QTY.	REMARKS
1	00663405420000000	Anchoring rods assy.	1	
2	00663307800000002	FA-frame	1	
3	00663408220000000	Wire rope	1	
4	00663404210000000	Auxiliary load hook	1	
5	00663404110000000	Main load hook (260t)	1	
6	00663402100000000	Derricking pulley block assy.	1	
7	00663400630000000	Counterweight	1	
8	00663400130000000	Main boom assy.	1	
9	00663403120000000	Tilting-back support assy.	1	
10	00663401810000000	A-frame assy.	1	
11	00663403600000001	Mounting cylinder	1	
12	00663408409000000	A-frame erection cylinder	2	
13	00663400420000000	Slewing table and its attachments welded	1	
14	00663400810000000	Outrigger pad assembly	1	
15	00663402420000000	Left crawler carrier assy.	1	
16	1090900088	Central counterweigh	2	
17	00663305300000000	Boom pivot section bolting cylinder	2	
18	00663404710000000	Structural member assembly	1	
19	00663405820000000	Outrigger	1	
20	00663308410700000	Outrigger cylinder	4	
21	00663402810000000	Undercarriage and its attachments welded	1	
22	00663401710000000	Pipe layout – undercarriage hydraulic system	1	
23	00663402520000000	Right crawler carrier assy.	1	
24	00663404520000000	Slewing ring assembly	1	
25	00663409610000000	Crawler carrier assembly	1	
26	00663303200000000	Crawler carrier bolting cylinder	4	
27	00663300200000001	Fixed jib	1	
28	00663406630000000	Luffing jib assy.	1	
29	00663408030000000	WA-frame1	1	
30	00663407930000000	WA-frame2	1	
31	00663404910000000	Counterweight assembly	1	
32	1010200006	Counterweight lifting cylinder	2	
33	00663307100000001	Counterweight bolting cylinder	4	

ZCC2600 CRAWLER CRANE D00663400002010000Y

Luffing jib configuration



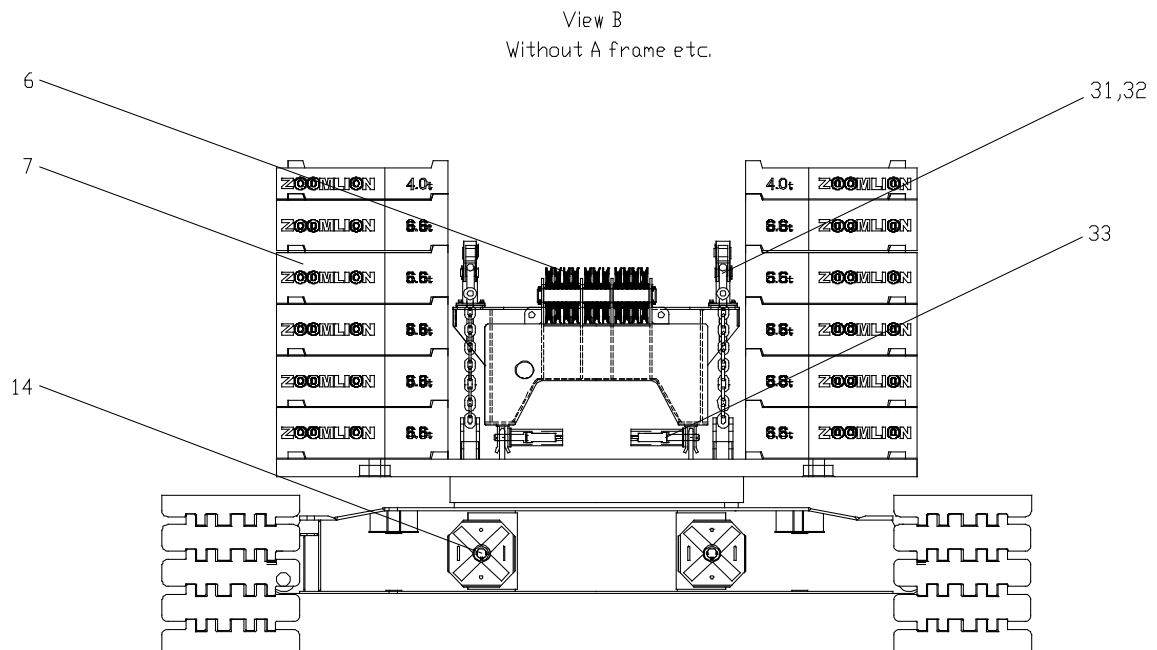
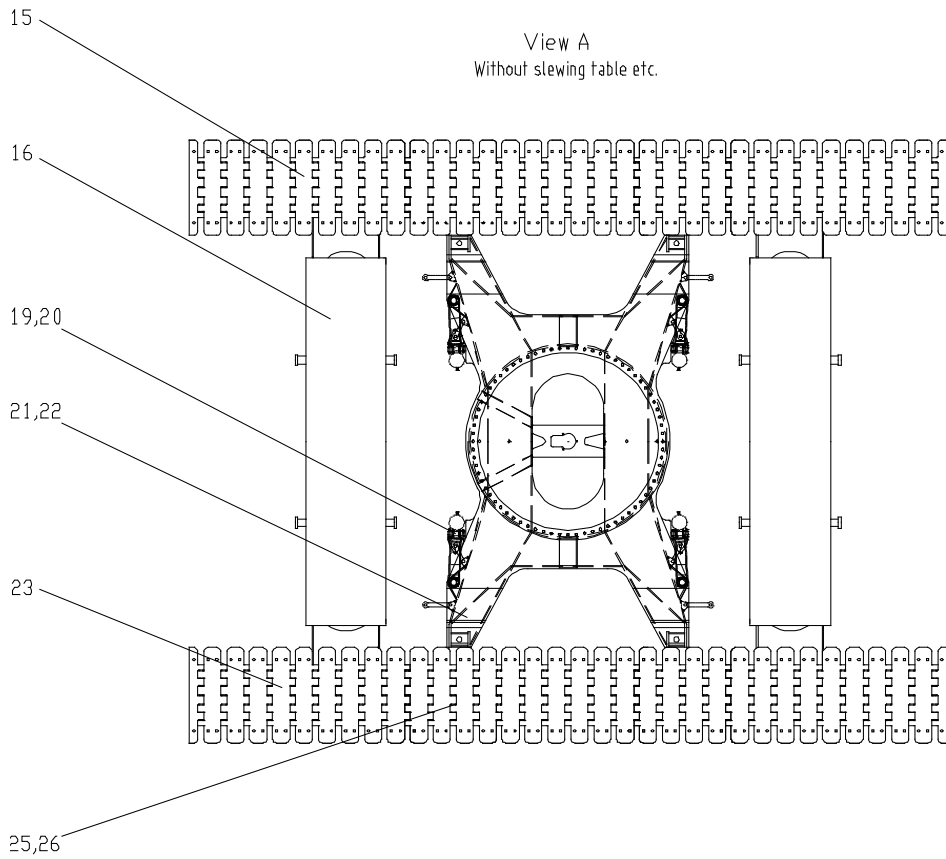
View A
With slewing table etc.



ZCC2600 CRAWLER CRANE D00663400002010000Y

POS.	ITEM	DESCRIPTION & SPECIFICATION	QTY.	REMARKS
34	00663401220000000	Exhaust system	1	
35	00663401400000000	Air intake system	1	
36	00663401120000000	Fuel supply system	1	
37	00663404830000000	Hydraulic elements assembly	1	
38	00663401620000000	Pipe layout – superstructure hydraulic system	1	
39	00663404400000000	Slewing mechanism	1	
40	1010200003	Operator's cab tilting cylinder	1	
41	00663400700000001	Operator's cab assembly	1	
42	00663301310000000	Cooling system	1	
43	00663401030000000	Engine and suspension system	1	
44	00663203900000000	Oil pump drive device	1	
45	00663403010000000	Hydraulic tank	1	
46	00663402020000000	Derricking mechanism	1	
47	00663403520000000	Hoisting mechanism	1	
48	00663408300000000	Reeving winch	1	
49	00663405910000000	Pipe layout –central lubricating system	1	
50	00663407620000000	Air conditioning	1	
51	00663400002001010	Painting drawing for ZCC2600 crawler crane	1	
52	00663405110000000	Cummins engine housing assembly	1	
53	00663400510000000	Boarding assembly	1	
54	00663401540000000	Hydraulic system diagram	1	
55	00663405610000000	Load moment limiter assembly	1	
56	00663406150000000	Superstructure electrics	1	
57	00663406230000001	Operator's cab electrics	1	
58	00663406350000000	Slewing table electrics	1	
59	00663406420000000	Boom electrics	1	
60	00663409100000000	Attached tools	1	
61	00663409200000001	Attached spare parts list	1	
62	00663401900000000	A-frame erection mechanism assembly	1	
63	00663409910000000	Technical documents	1	
64	204060003	Hydraulic oil	1	△L
64	204060043	Hydraulic oil	1	▲H
64	204060026	10# aviation hydraulic oil	1	△H

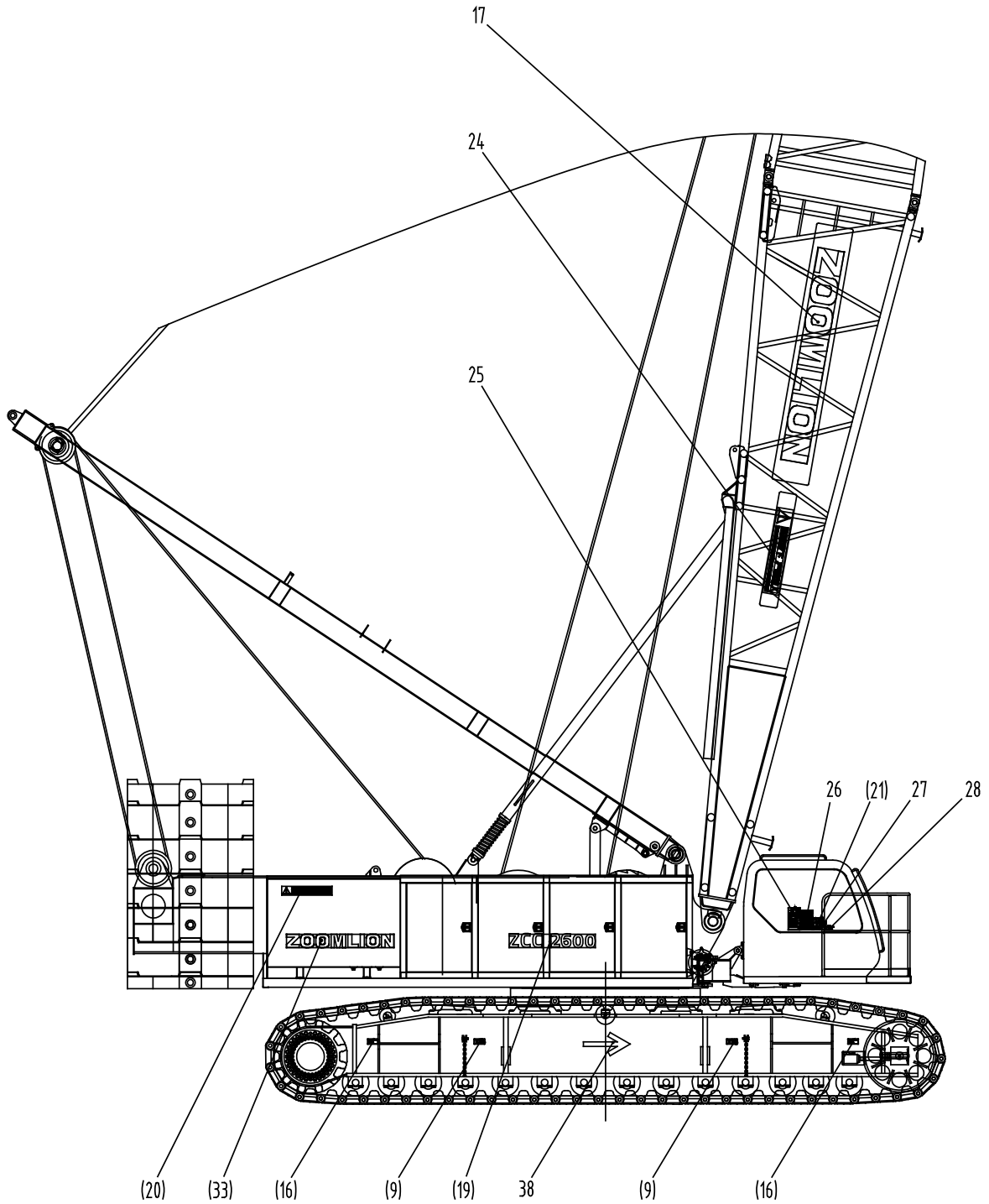
ZCC2600 CRAWLER CRANE D00663400002010000Y



ZCC2600 CRAWLER CRANE D00663400002010000Y

POS.	ITEM	DESCRIPTION & SPECIFICATION	QTY.	REMARKS
64	204060002	Hydraulic oil	1	△L
65	00663408520000000	Pipe layout - hydraulic circuit of winches in the slewing table	1	
66	00663408610000000	Pipe layout - hydraulic circuit of slewing mechanism	1	
67	00663408720000000	Pipe layout - hydraulic circuit of auxiliary devices	1	
68	00663409710000000	domestic package and transportation assy.	1	
69	00663200900000000	Intercooling system	1	
70	00663400300000000	Heavy fixed jib assy.	1	
71	00663405000000000	Electric assembly	1	
72	006634097000000001	overseas package and transportation assy.	1	
73	00663407030000000	Name plates and its installation	1	
74	00663406930000000	Boom section assy.	1	

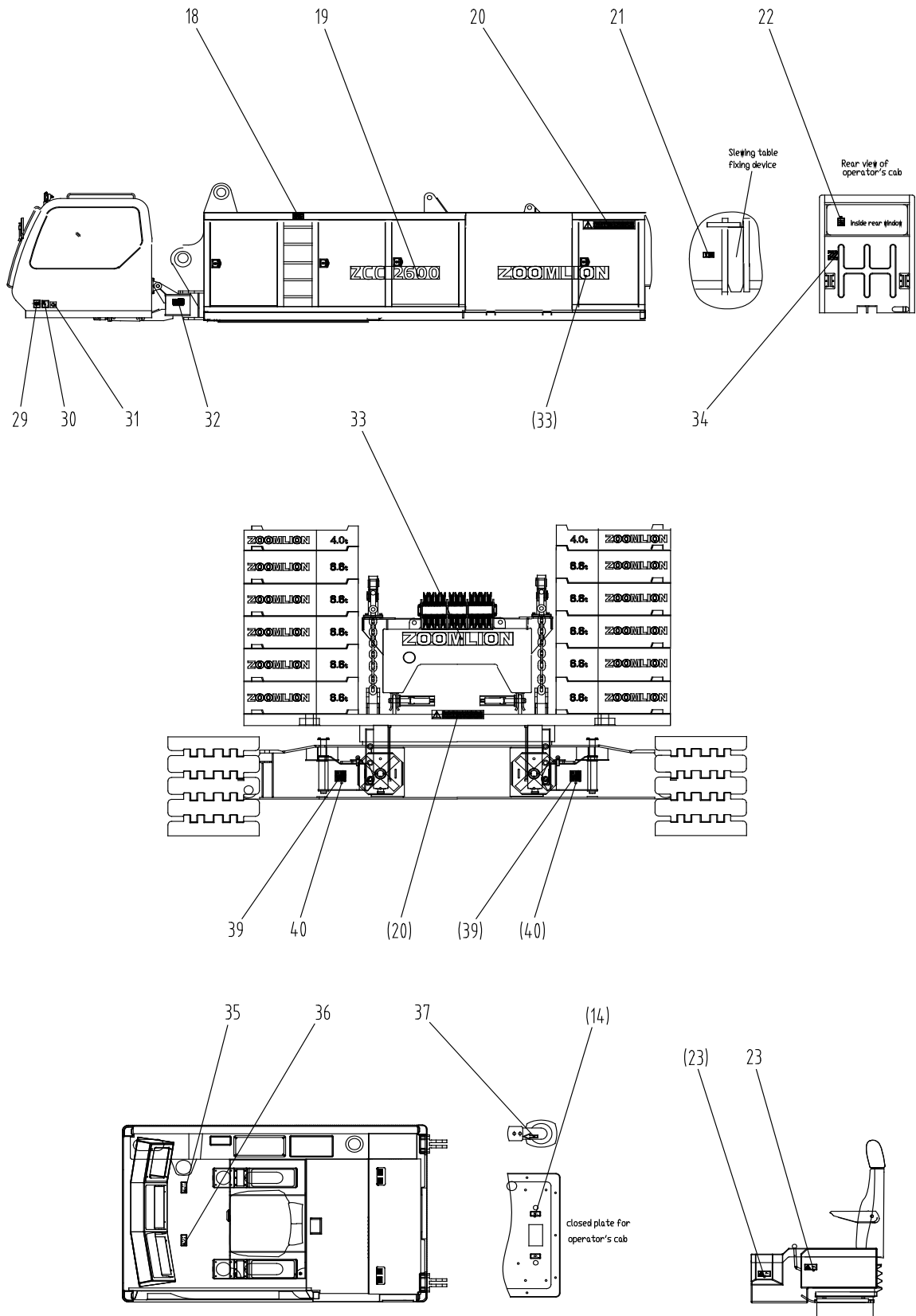
NAMEPLATES AND ITS INSTALLATION D0066340703000000Y



NAMEPLATES AND ITS INSTALLATION D0066340703000000Y

POS.	ITEM	DESCRIPTION & SPECIFICATION	QTY.	REMARKS
1	00663407020001020	Hook sign (260t-4170kg)	2	
2	00663407020001030	Hook sign (160t-2804kg)	2	
3	00663407020001040	Hook sign (50t-1709kg)	2	
4	00663217010001020	Hook sign (30t-1085kg)	2	
5	00663407020001050	Hook sign (16t-896kg)	1	
6	00663117000601110	Warning sign	1	
7	00663037000601040	Main power switch sign	1	
8	00663007000001070	Fire sign	1	
9	00663117000401010	Hint sign	6	
10	006340000099	Illustration sign	1	
11	006340000100	Illustration sign	1	
12	006340000095	Illustration sign	1	
13	00663607000001100	Illustration sign	2	
14	006340000094	Illustration sign	6	
15	006340000096	Illustration sign	1	
16	00663117000601190	Danger sign	10	
17	00660907010001090	Company identity(ZOOMLION)	2	
18	00663017000001060	Safety sign	1	
19	00663407030001010	Model nameplate(ZCC2600)	2	
20	00660907010001010	Be careful in the working radius	3	
21	00663207000001030	Safety sign	2	
22	00663017000001110	Safety sign	1	
23	00663037000201010	Sign "Don't push"	2	
24	00660907010001100	No standing under the boom	2	
25	00663117010201070	Danger sign	1	
26	00663117010201080	Caution sign	1	
27	006340000088	Safety sign	1	
28	00663037000201100	Sign "Data recorder available"	1	
29	006340000089	Illustration sign	1	
30	00663007000001180	CE sign for noise level	1	
31	00663007000001100	First aid box sign	1	
32	00663817000001050	Product nameplate (CE)	1	
32	00663117010201120	Product nameplate	1	
33	00660907010001020	Company identity(ZOOMLION)	3	

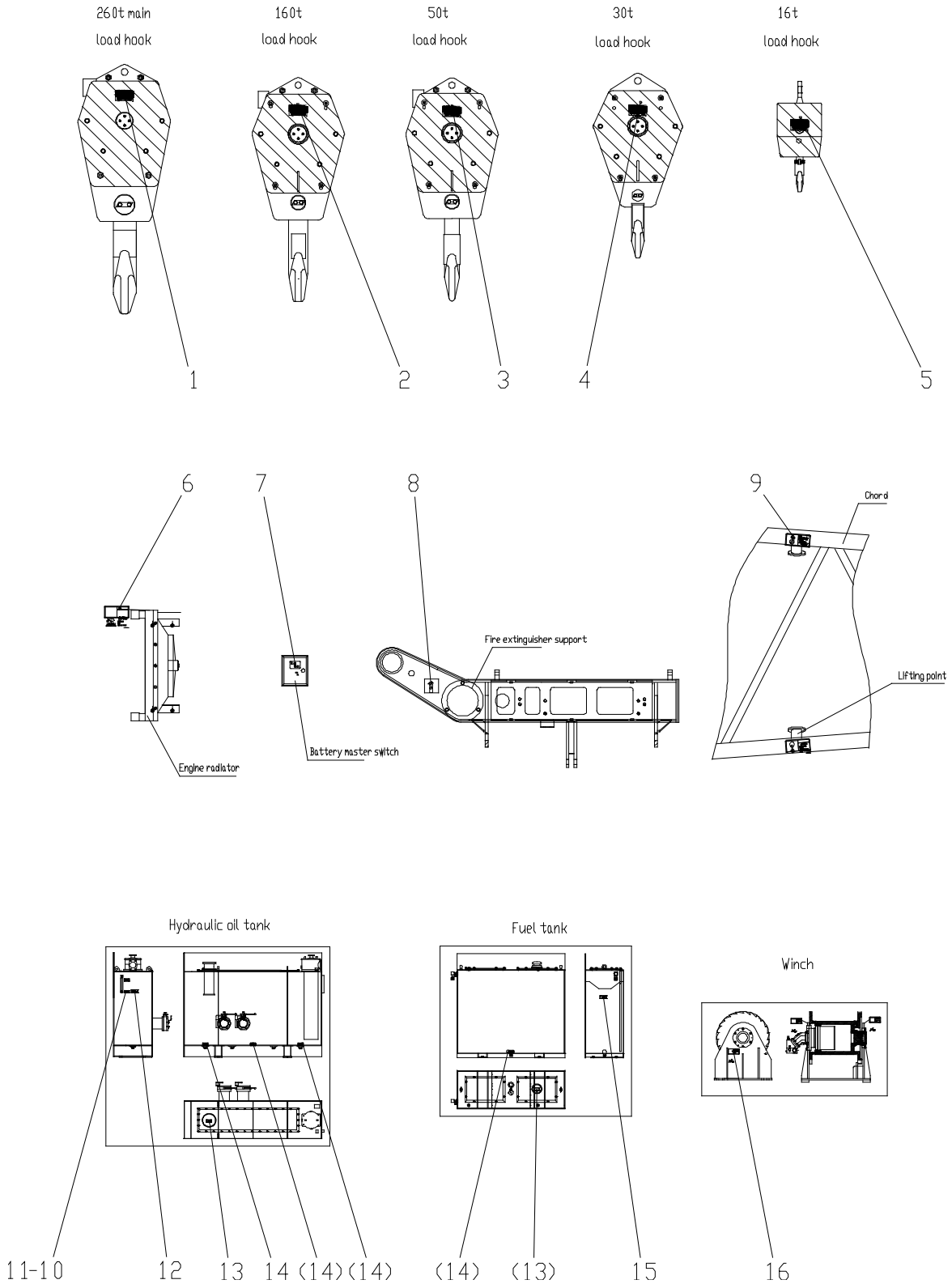
NAMEPLATES AND ITS INSTALLATION D0066340703000000Y



NAMEPLATES AND ITS INSTALLATION D0066340703000000Y

POS.	ITEM	DESCRIPTION & SPECIFICATION	QTY.	REMARKS
34	1990900182	Zoomlion nameplate	1	
35	00663037000201050	Sign "Travel pedal"	1	
36	00663037000201030	Sign "Accelerator pedal"	1	
37	00663017000001100	Arrow indicator	2	
38	00663607000001060	Arrow indicator	2	
39	00663117000601040	Caution sign	8	
40	00663117000801020	Danger sign	8	
41	202230021	Glue	1	

NAMEPLATES AND ITS INSTALLATION D0066340703000000Y



NAMEPLATES AND ITS INSTALLATION D0066340703000000Y

POS.	ITEM	DESCRIPTION & SPECIFICATION	QTY.	REMARKS
1	00663407020001020	Hook sign (260t-4170kg)	2	
2	00663407020001030	Hook sign (160t-2804kg)	2	
3	00663407020001040	Hook sign (50t-1709kg)	2	
4	00663217010001020	Hook sign (30t-1085kg)	2	
5	00663407020001050	Hook sign (16t-896kg)	1	
6	00663117000601110	Warning sign	1	
7	00663037000601040	Main power switch sign	1	
8	00663007000001070	Fire sign	1	
9	00663117000401010	Hint sign	6	
10	006340000099	Illustration sign	1	
11	006340000100	Illustration sign	1	
12	006340000095	Illustration sign	1	
13	00663607000001100	Illustration sign	2	
14	006340000094	Illustration sign	6	
15	006340000096	Illustration sign	1	
16	00663117000601190	Danger sign	10	

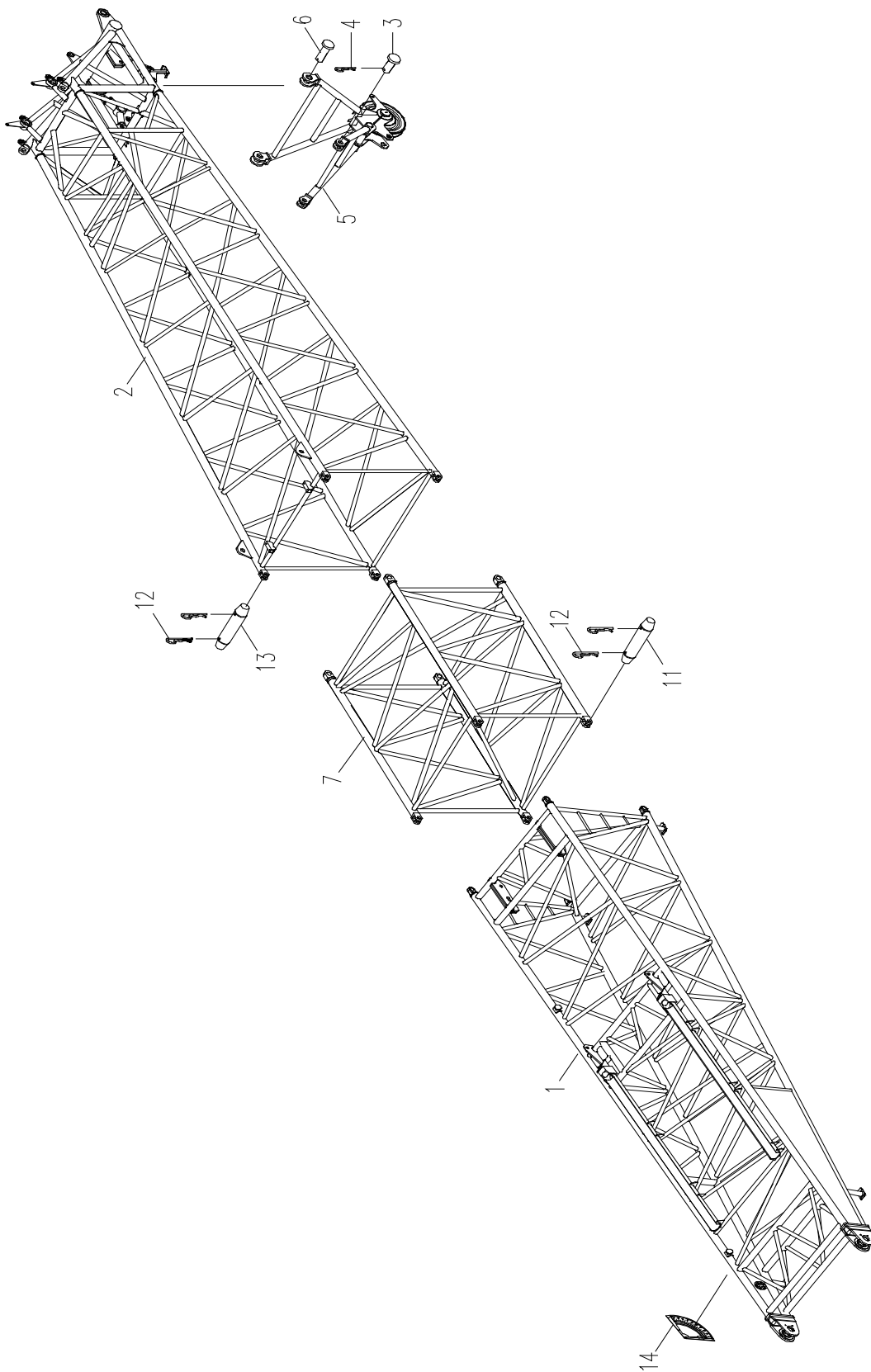


Crawler Crane Spare Parts Catalog

Chapter 2 Boom system



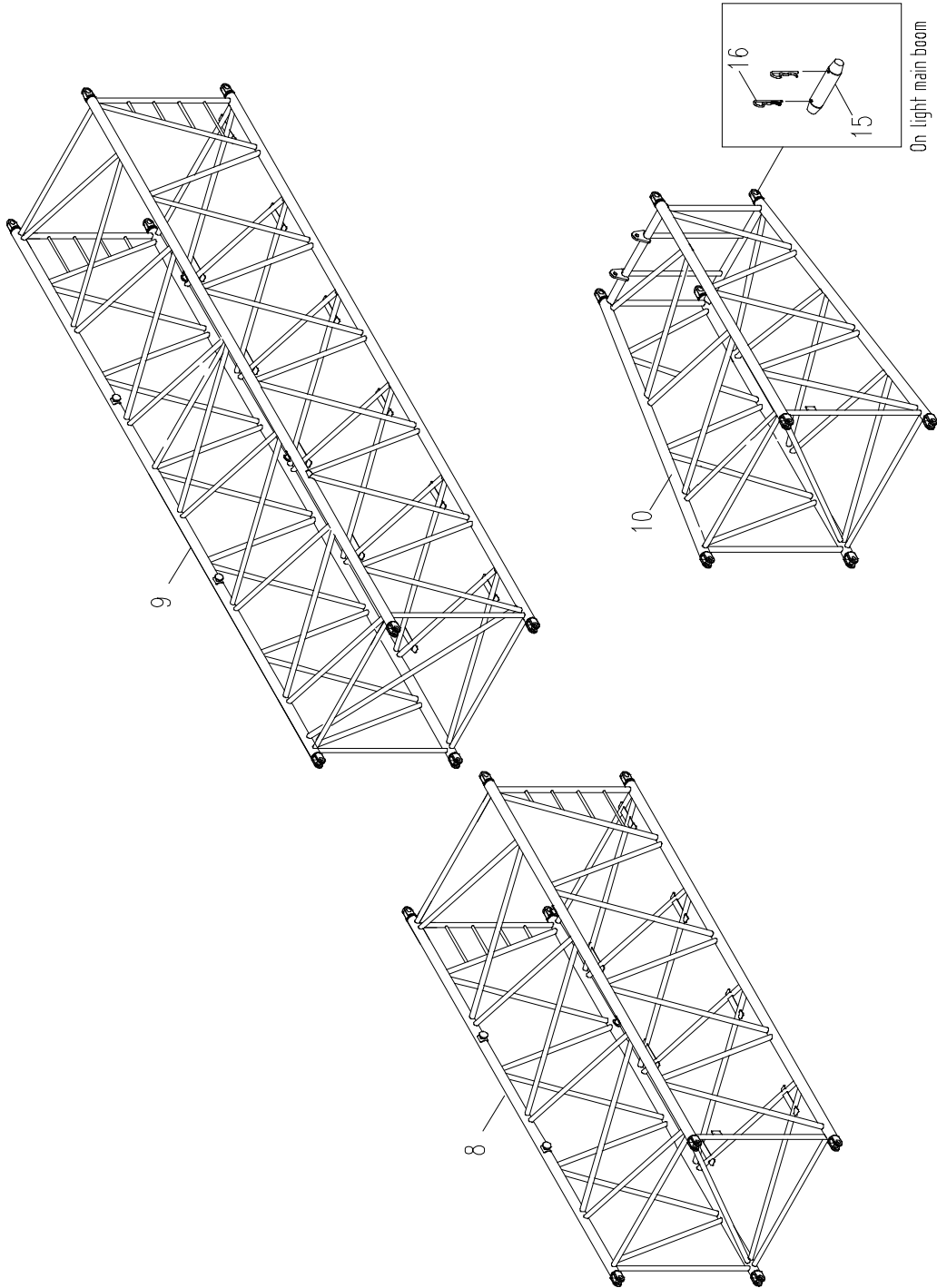
MAIN BOOM ASSY. D00663400130000000Y



MAIN BOOM ASSY. D00663400130000000Y

POS.	ITEM	DESCRIPTION & SPECIFICATION	QTY.	REMARKS
1	00663400130200000	Main boom pivot section	1	
2	00663400130400000	Main boom head section	1	
3	00663300100001151	Pin spindle	2	
4	00663300100001140	Retaining spring	4	
5	00663400100800001	Tip boom assy.	1	
6	00663300200001030	Pin spindle	2	
7	00663400130600000	3 m main boom intermediate section	1	
8	00663400130800000	6 m main boom intermediate section	1	
9	00663400131000000	9 m main boom intermediate section	6	
10	00663400131200000	4 m reducing section	1	
11	00663300100001082	Pin spindle	34	
12	00663300100001230	Retaining spring	72	
13	00663300100001132	Pin spindle	2	
14	00663300102200000	Angle indicator	1	
15	00663400100001040	Pin spindle	4	
16	00663604100001050	Retaining spring	8	
17	00663400132600000	Main boom pivot section attachments assembly	1	E
18	00663400132800000	3 m main boom intermediate section attachments assembly	1	E
19	00663400133000000	6 m main boom intermediate section attachments assembly	1	E
20	00663400133200000	9 m main boom intermediate section attachments assembly	6	E
21	00663400133400000	4 m reducing section attachments assembly	1	E
22	00663400133600000	Main boom head section attachments assembly	1	E

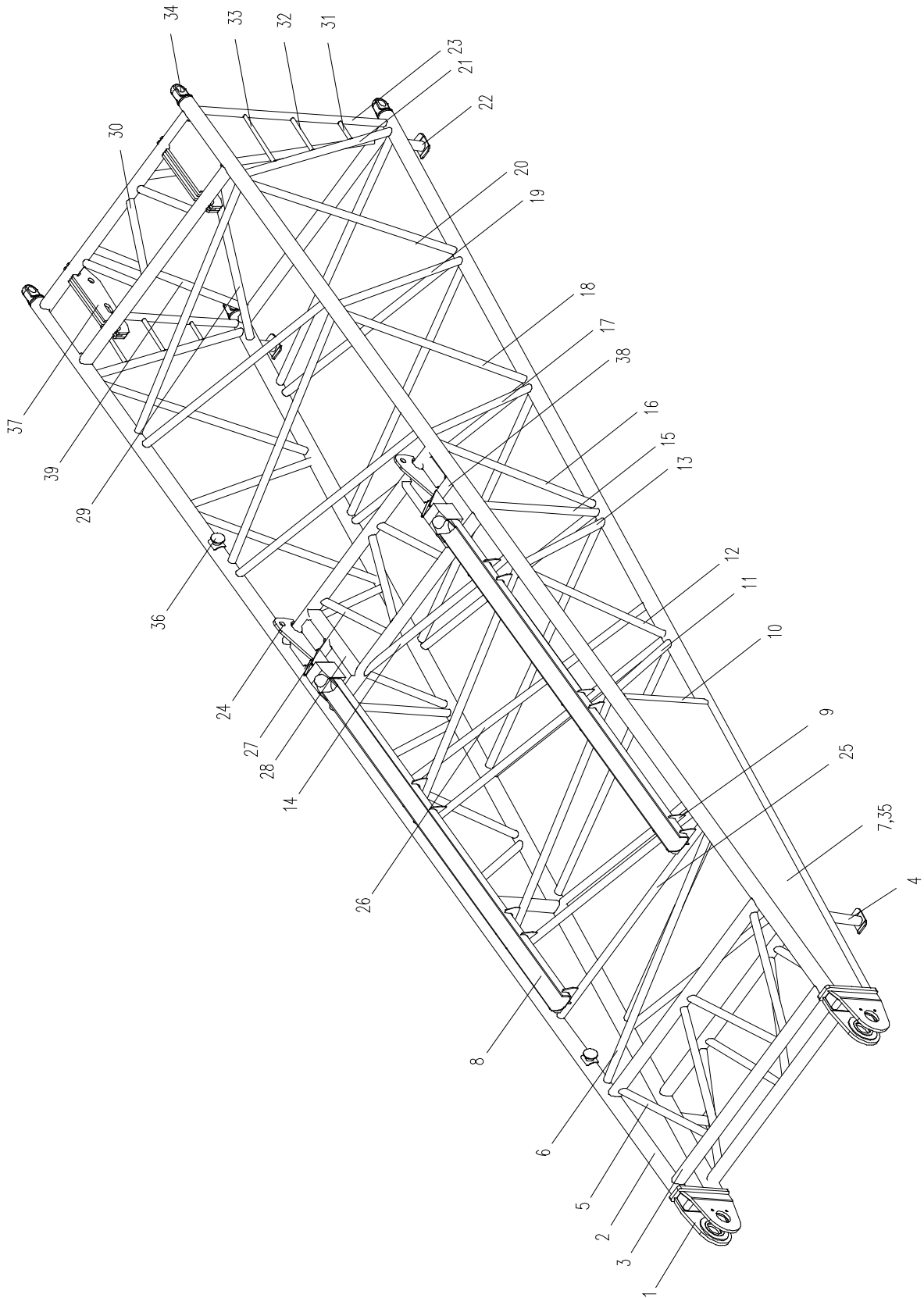
MAIN BOOM ASSY. D0066340013000000Y



MAIN BOOM ASSY. D0066340013000000Y

POS.	ITEM	DESCRIPTION & SPECIFICATION	QTY.	REMARKS
1	00663400130200000	Main boom pivot section	1	
2	00663400130400000	Main boom head section	1	
3	00663300100001151	Pin spindle	2	
4	00663300100001140	Retaining spring	4	
5	00663400100800001	Tip boom assy.	1	
6	00663300200001030	Pin spindle	2	
7	00663400130600000	3 m main boom intermediate section	1	
8	00663400130800000	6 m main boom intermediate section	1	
9	00663400131000000	9 m main boom intermediate section	6	
10	00663400131200000	4 m reducing section	1	
11	00663300100001082	Pin spindle	34	
12	00663300100001230	Retaining spring	72	
13	00663300100001132	Pin spindle	2	
14	00663300102200000	Angle indicator	1	
15	00663400100001040	Pin spindle	4	
16	00663604100001050	Retaining spring	8	
17	00663400132600000	Main boom pivot section attachments assembly	1	E
18	00663400132800000	3 m main boom intermediate section attachments assembly	1	E
19	00663400133000000	6 m main boom intermediate section attachments assembly	1	E
20	00663400133200000	9 m main boom intermediate section attachments assembly	6	E
21	00663400133400000	4 m reducing section attachments assembly	1	E
22	00663400133600000	Main boom head section attachments assembly	1	E

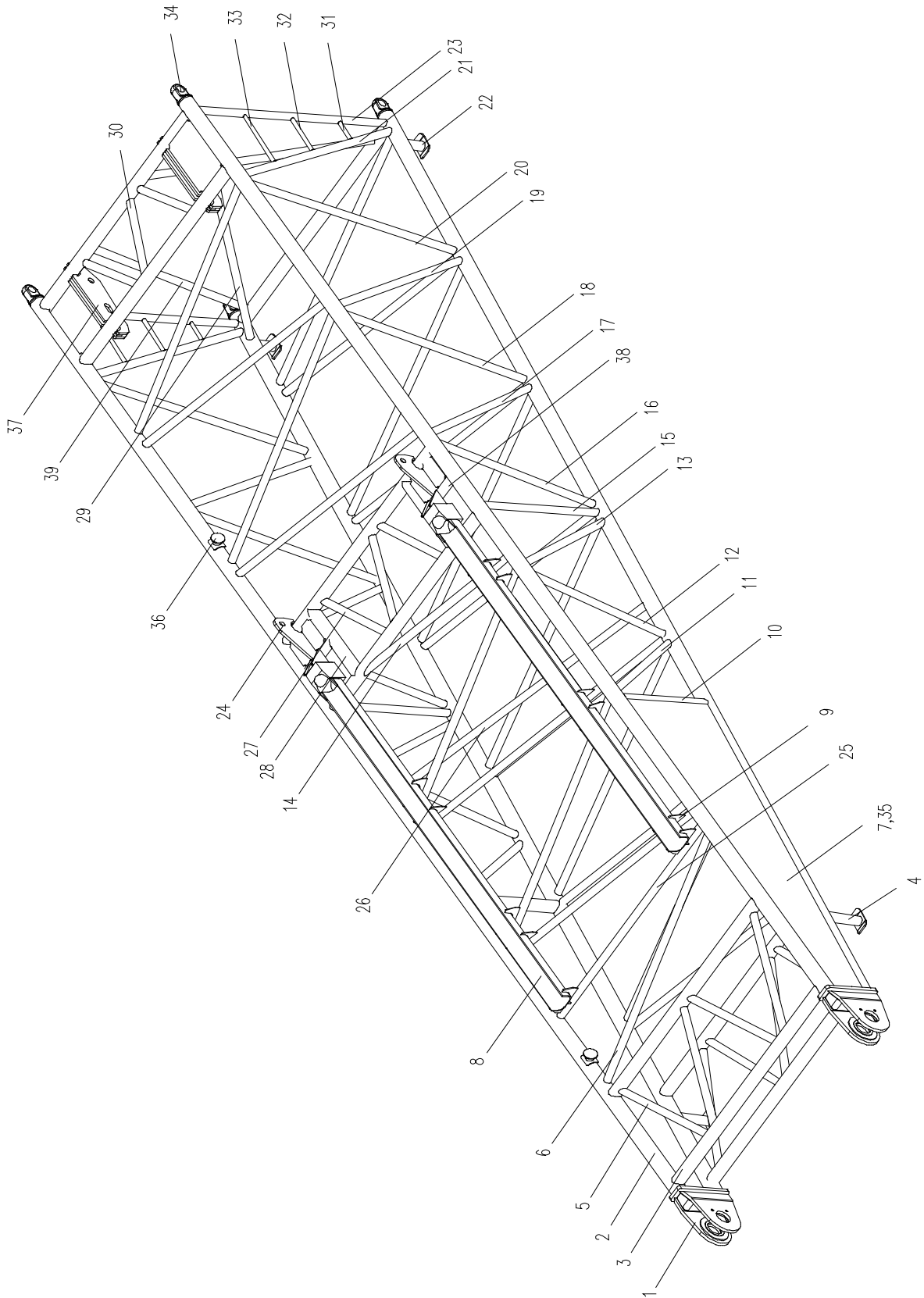
MAIN BOOM PIVOT SECTION D0066340013020000Y



MAIN BOOM PIVOT SECTION D00663400130200000Y

POS.	ITEM	DESCRIPTION & SPECIFICATION	QTY.	REMARKS
1	00663300100250001	Fork joint	2	
2	00663400120201010	Chord member	4	
3	00663400100201161	Web member	9	
4	00663400101840000	Front support seat	2	
5	00663300100201500	Pipe	8	
6	00663400100201201	Web member	21	
7	00663400120201050	Pipe	4	
8	00663400130210000	Tilting-back support groove device	2	
9	00663400130201010	Plate	20	
10	00663400100201031	Pipe	2	
11	00663400101801100	Web member	2	
12	00663400101801110	Web member	2	
13	00663400100201041	Web member	2	
14	00663400130201020	Web member	1	
15	00663400100201351	Web member	2	
16	00663400100201051	Web member	2	
17	00663400100201061	Web member	2	
18	00663400100201071	Web member	2	
19	00663400100201081	Web member	2	
20	00663400100201091	Web member	2	
21	00663400100201101	Web member	2	
22	00663400101850000	Rear support seat	2	
23	00663400100201261	Web member	2	
24	00663400130201040	Plate	2	
25	00663400100201250	Web member	1	
26	00663400100201231	Diagonal link	1	
27	00663400130201050	Web member	3	
28	00663400130201080	Web member	2	
29	00663400100201241	Diagonal link	1	
30	00663400130201110	Web member	3	
31	00663400100201121	Pipe	2	
32	00663400100201131	Pipe	2	
33	00663400100201141	Pipe	2	
34	1992000034	Single hinge lug	4	

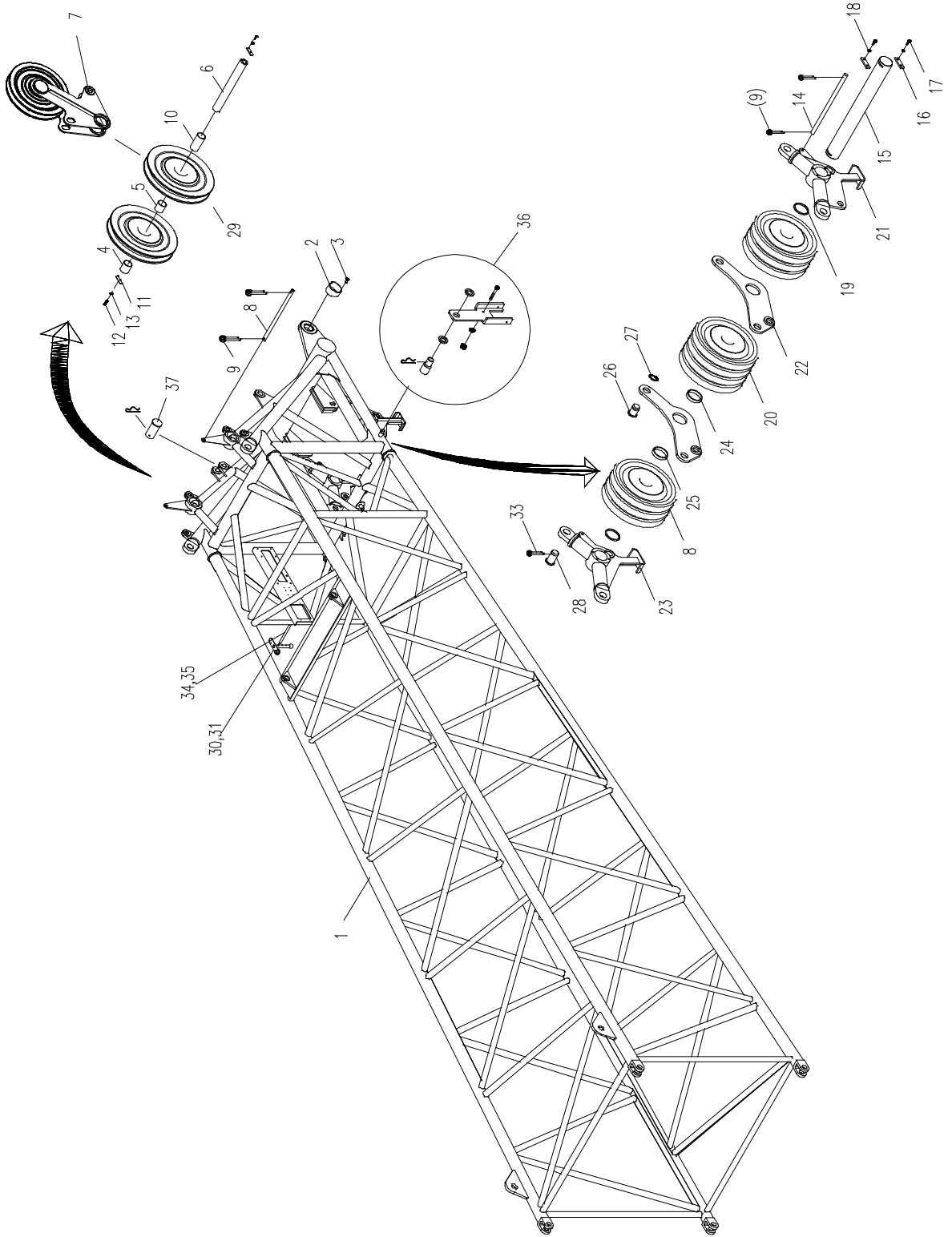
MAIN BOOM PIVOT SECTION D0066340013020000Y



MAIN BOOM PIVOT SECTION D0066340013020000Y

POS.	ITEM	DESCRIPTION & SPECIFICATION	QTY.	REMARKS
35	00663400120201060	Pipe	4	
36	00663400101880000	Lifting ring	4	
37	00663400130220000	Anchoring rod seat	2	
38	00663400130201130	Web member	2	
39	00663400130201140	Web member	2	

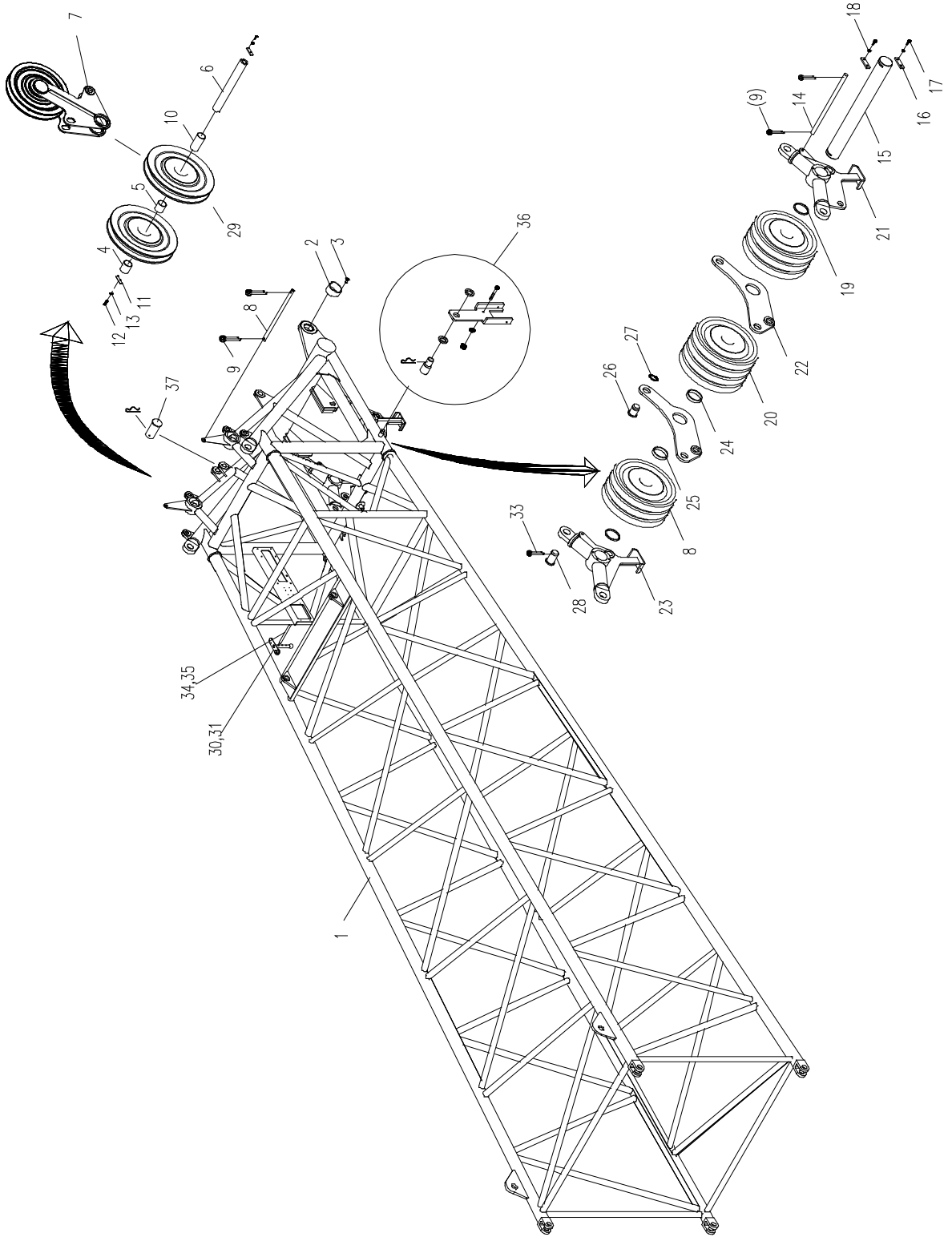
MAIN BOOM HEAD SECTION D0066340013040000Y



MAIN BOOM HEAD SECTION D00663400130400000Y

POS.	ITEM	DESCRIPTION & SPECIFICATION	QTY.	REMARKS
1	00663400130410000	Main boom head	1	
2	00663300101601390	Brass bush	2	
3	1040100061	Screw M10×20-22H GB73-1985	2	
4	00663400130401010	Spacing sleeve	1	
5	00663400130401020	Spacing sleeve	1	
6	00663400100401470	Deflection pulley spindle	1	
7	00663400130420000	Pulley assy.	1	
8	00663400100401411	Pipe	1	
9	1040500047	Cotter pin 5×70 GB/T91-2000	4	
10	00663400130401030	Spacing sleeve	1	
11	00663300111601100	Retaining plate	2	
12	1040000090	Bolt M10×30-8.8 GB/T5783-2000	4	
13	1040300067	Washer 10 GB/T93-1987	4	
14	00663400100401421	Pipe	1	
15	00663400100401431	Shaft	1	
16	006340000055	Retaining plate 130	4	
17	1040000082	Bolt M16×40-8.8 GB/T5783-2000	8	
18	1040300065	Washer 16 GB/T93-1987	8	
19	00663400100401510	Spacing sleeve	9	
20	00663400100450000	Pulley	10	
21	00663400100460000	Left connecting plate assy.	1	
22	00663400100470001	Connecting plate	2	
23	00663400100480000	Right connecting plate assy.	1	
24	00663400100401520	Spacing sleeve	2	
25	00663400100401500	Spacing sleeve	2	
26	00663400100401490	Pin spindle	4	
27	1140300189	Retainer ring 65 GB/T894.1-1986	4	
28	00663300111601010	Pin spindle	4	
29	00663302100200002	Pulley assy.	2	
30	00663200102410000	Mounting bracket	1	
31	1040500126	Cotter pin 5×26 GB/T91-2000	1	
32	204110014	Lithium base grease	1	
33	1040500186	Cotter pin 10×90 GB/T91-2000	2	
34	00663606600401050	Rod	1	

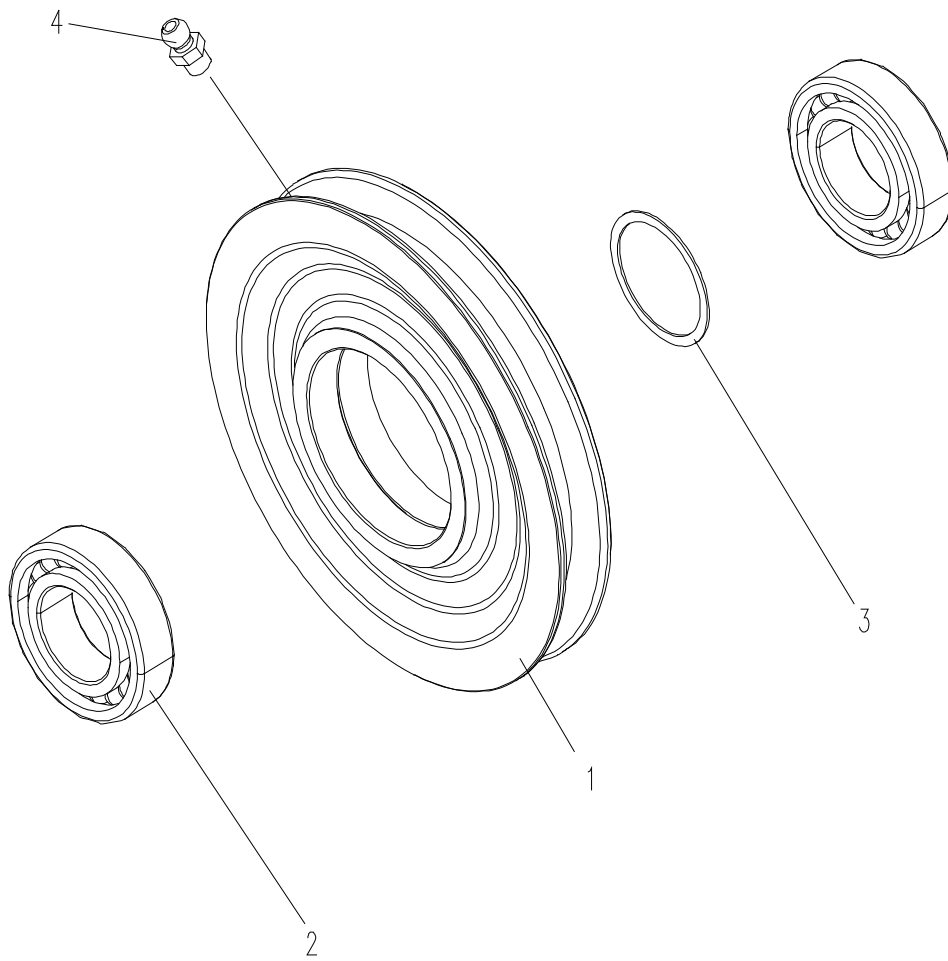
MAIN BOOM HEAD SECTION D0066340013040000Y



MAIN BOOM HEAD SECTION D00663400130400000Y

POS.	ITEM	DESCRIPTION & SPECIFICATION	QTY.	REMARKS
35	1040500353	Retaining spring (D30,32,35)	3	
36	00663816400240000	Assembly of hoisting limit switch	1	
37	00663400130401040	Pin spindle	2	

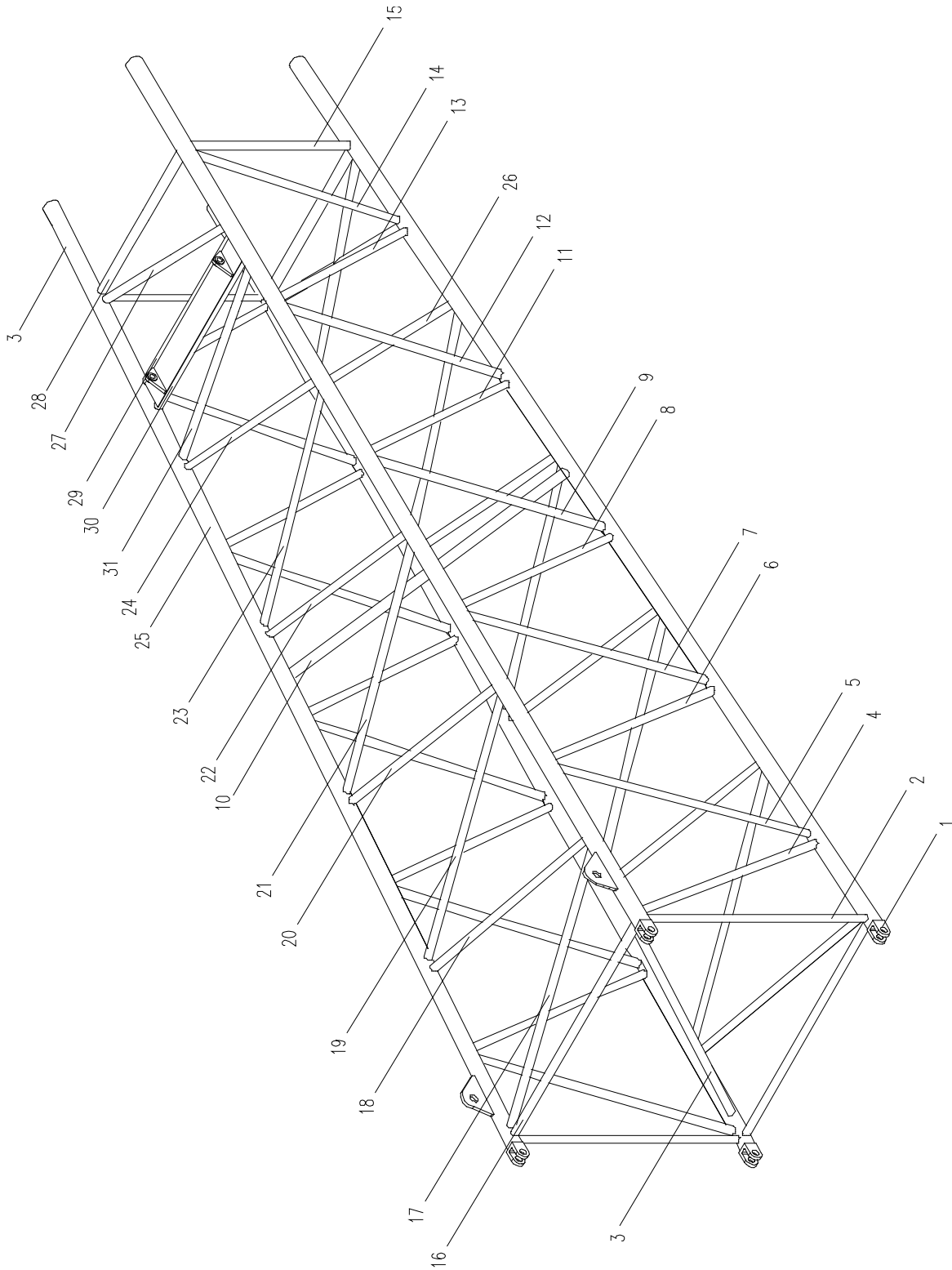
PULLEY ASSY. D00663302100200002Y



PULLEY ASSY. D00663302100200002Y

POS.	ITEM	DESCRIPTION & SPECIFICATION	QTY.	REMARKS
1	00663302100201012	Pulley	1	
2	1050200085	Rolling bearing 6224-Z GB/T276-1994	2	
3	00663300100001011	Spacing sleeve	1	
4	1080000001	Oil cup M10×1 GB1152-1979	2	
5	204110014	Lithium base grease	1	

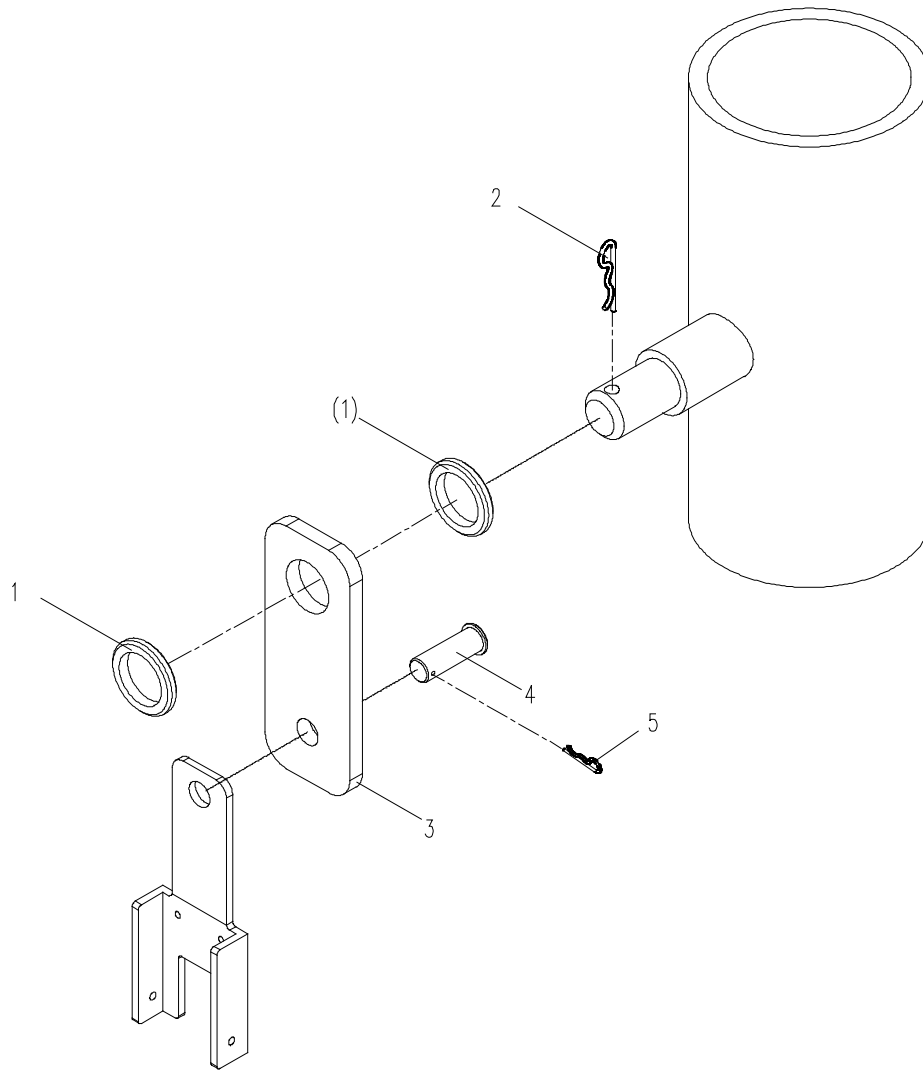
MAIN BOOM HEAD WELDED D00663400130410020Y



MAIN BOOM HEAD WELDED D00663400130410020Y

POS.	ITEM	DESCRIPTION & SPECIFICATION	QTY.	REMARKS
1	1992000031	Double hinge lug	4	
2	00663400100434140	Web member	2	
3	00663400100434150	Diagonal link	1	
4	00663400100434160	Web member	2	
5	00663400100434170	Web member	2	
6	00663400100434180	Web member	2	
7	00663400100434190	Web member	2	
8	00663400100434200	Web member	2	
9	00663400100434210	Web member	2	
10	00663400100434220	Diagonal link	1	
11	00663400100434230	Web member	2	
12	00663400100434240	Web member	2	
13	00663400100434250	Web member	2	
14	00663400100434260	Web member	2	
15	00663400100434270	Pipe	2	
16	00663400100434280	Web member	2	
17	00663400100434290	Web member	2	
18	00663400100434300	Web member	2	
19	00663400100434310	Web member	2	
20	00663400100434320	Web member	2	
21	00663400100434330	Web member	2	
22	00663400100434340	Web member	2	
23	00663400100434350	Web member	2	
24	00663400100434360	Web member	2	
25	00663400100434370	Chord member	4	
26	00663400100434380	Web member	1	
27	00663400100434390	Web member	2	
28	00663400100434400	Pipe	2	
29	00663400100434410	Web member	1	
30	00663400100434420	Web member	1	
31	00663400100434430	Web member	1	

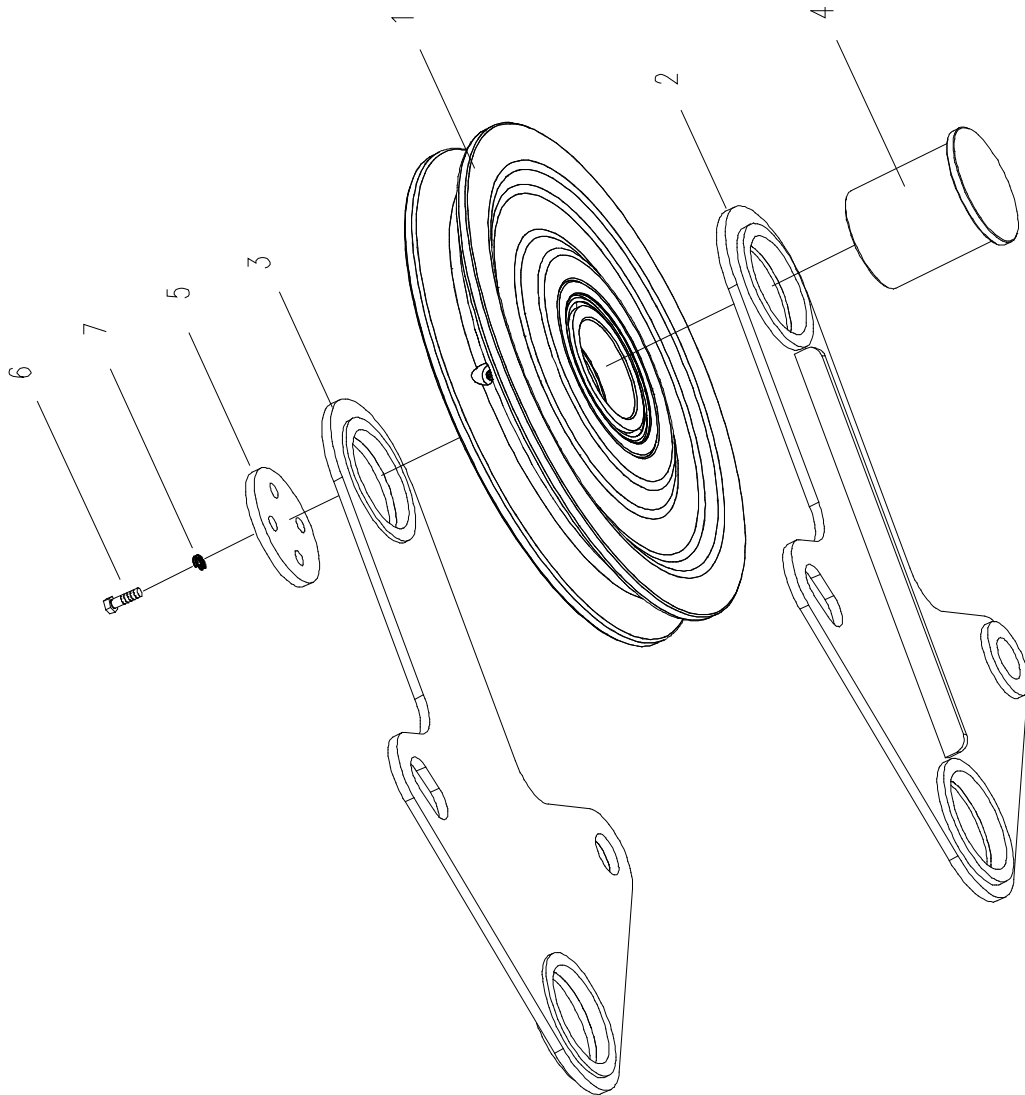
ASSEMBLY OF HOISTING LIMIT SWITCH D00663816400240000Y



ASSEMBLY OF HOISTING LIMIT SWITCH D00663816400240000Y

POS.	ITEM	DESCRIPTION & SPECIFICATION	QTY.	REMARKS
1	00663200102401010	Pad	2	
2	006340000032	Retaining spring	1	
3	00663050100401020	Support	1	
4	1040500106	Pin spindle	1	
5	006340000035	Retaining spring	1	

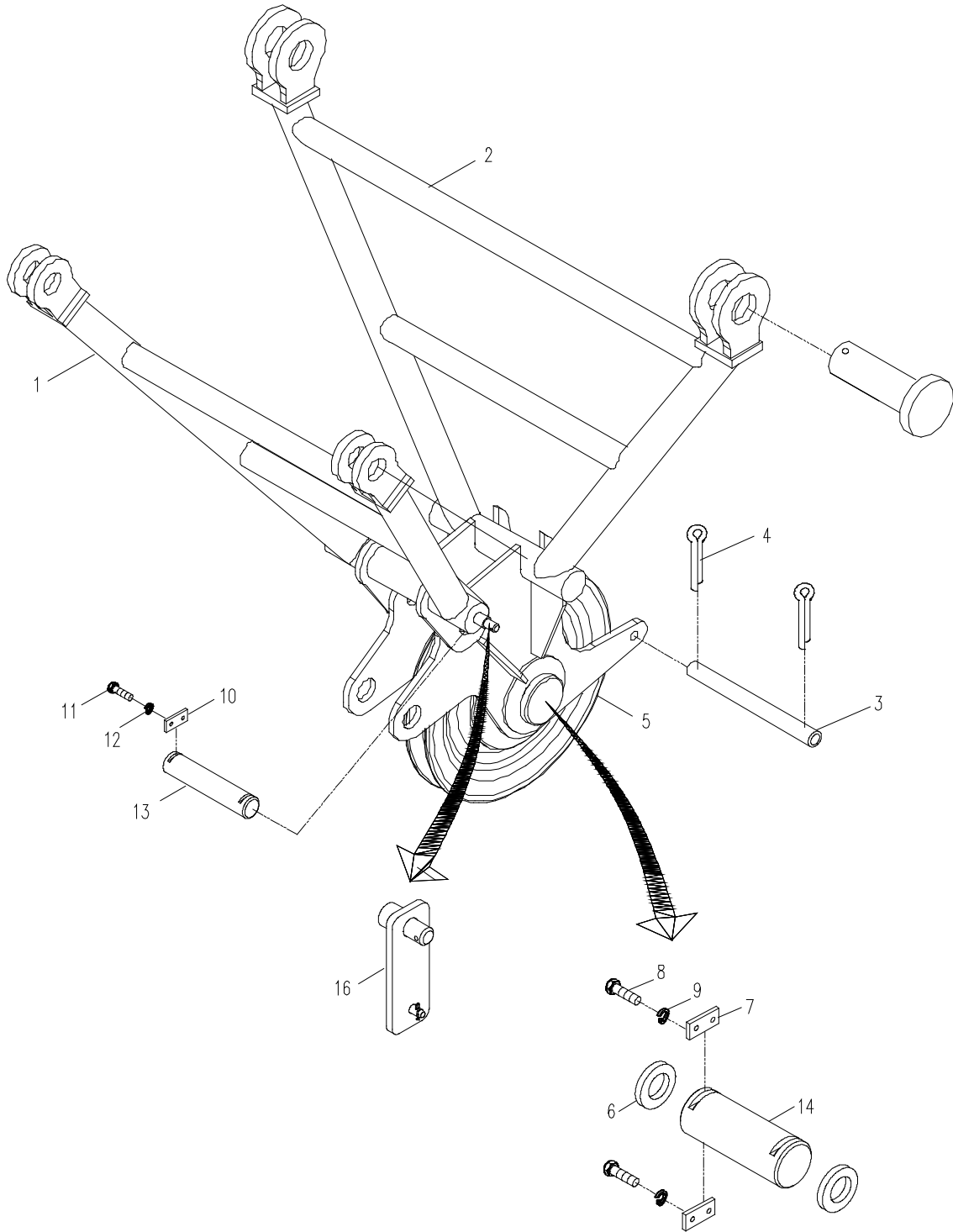
PULLEY ASSY. D00663400130420000Y



PULLEY ASSY. D00663400130420000Y

POS.	ITEM	DESCRIPTION & SPECIFICATION	QTY.	REMARKS
1	00663302100200002	Pulley assy.	1	
2	00663400130420010	Side plate A	1	
3	00663400130420020	Side plate B	1	
4	00663400130421010	Pulley shaft	1	
5	00663400130421020	Chuck plate	2	
6	1040000082	Bolt M16x40-8.8 GB/T5783-2000	4	
7	1040300065	Washer 16 GB/T93-1987	4	

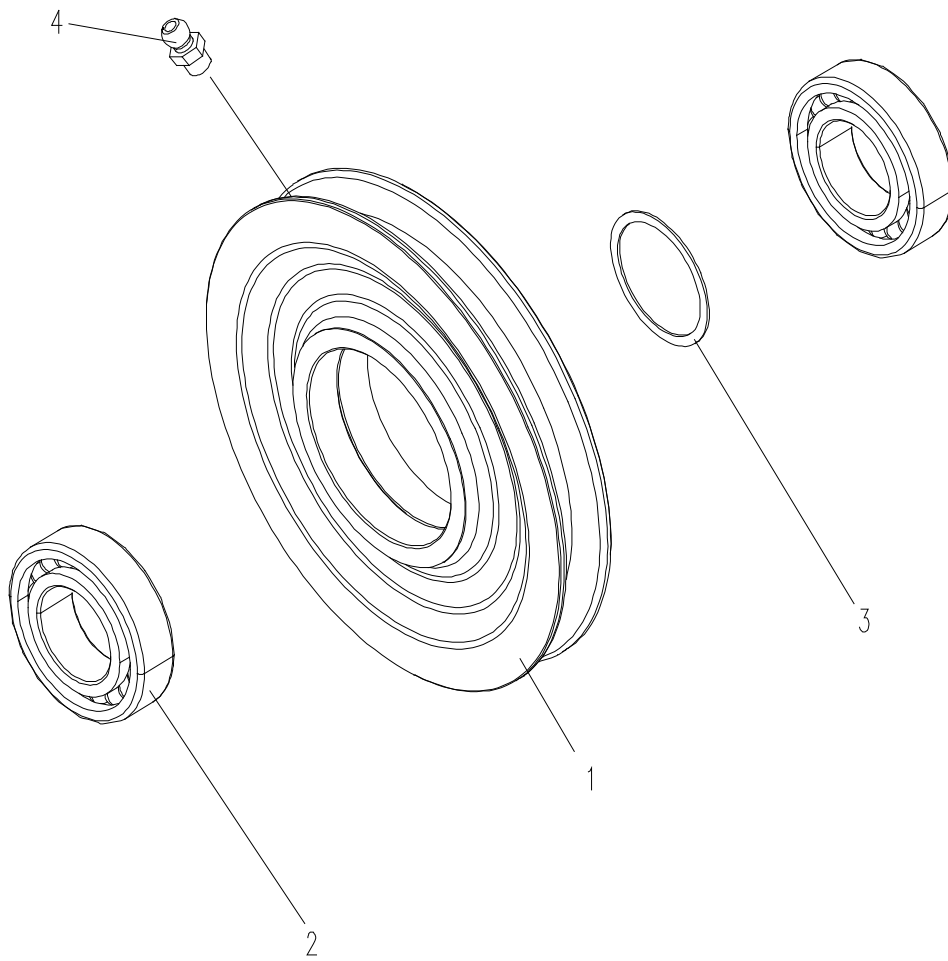
TIP BOOM ASSY. D00663400100800001Y



TIP BOOM ASSY. D00663400100800001Y

POS.	ITEM	DESCRIPTION & SPECIFICATION	QTY.	REMARKS
1	00663400100810001	Connecting support	1	
2	00663400100820001	Connecting support	1	
3	00663400100801010	Rope guard tube	1	
4	1040500040	Cotter pin 6.3×50 GB/T91-2000	2	
5	00663302100200002	Pulley assy.	1	
6	00663300100001010	Spacing sleeve	2	
7	006340000056	Retaining plate 120	2	
8	1040000140	Bolt M16×45-10.9 GB/T5783-2000	4	
9	1040300065	Washer 16 GB/T93-1987	4	
10	006340000003	Retaining plate 50	2	
11	1040000167	Bolt M10×55-8.8 GB/T5783-2000	4	
12	1040300067	Washer 10 GB/T93-1987	4	
13	00663400100801020	Shaft	1	
14	00663400100801030	Shaft	1	
15	204110014	Lithium base grease	1	
16	00663816400240000	Assembly of hoisting limit switch	1	

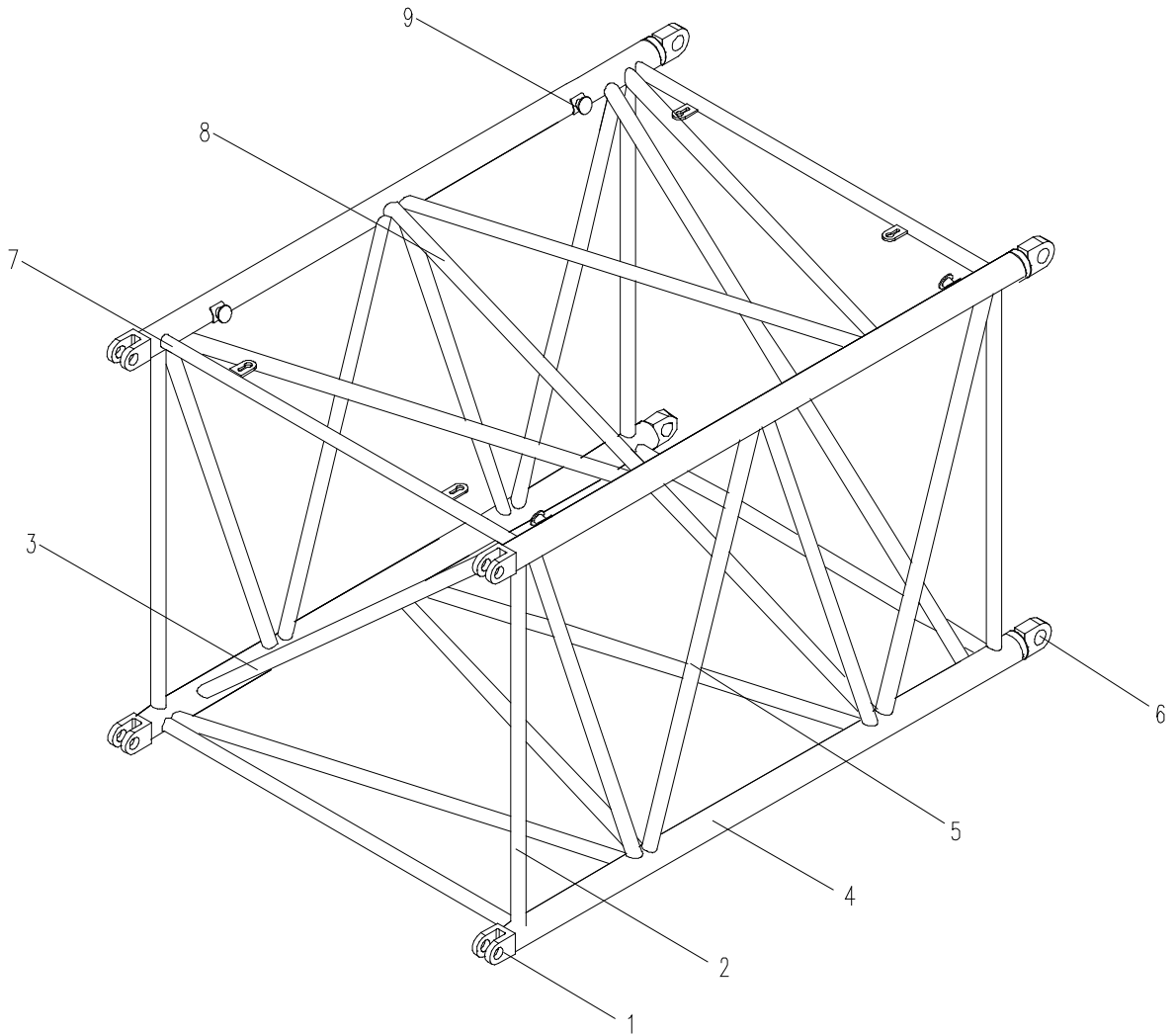
PULLEY ASSY. D00663302100200002Y



PULLEY ASSY. D00663302100200002Y

POS.	ITEM	DESCRIPTION & SPECIFICATION	QTY.	REMARKS
1	00663302100201012	Pulley	1	
2	1050200085	Rolling bearing 6224-Z GB/T276-1994	2	
3	00663300100001011	Spacing sleeve	1	
4	1080000001	Oil cup M10×1 GB1152-1979	2	
5	204110014	Lithium base grease	1	

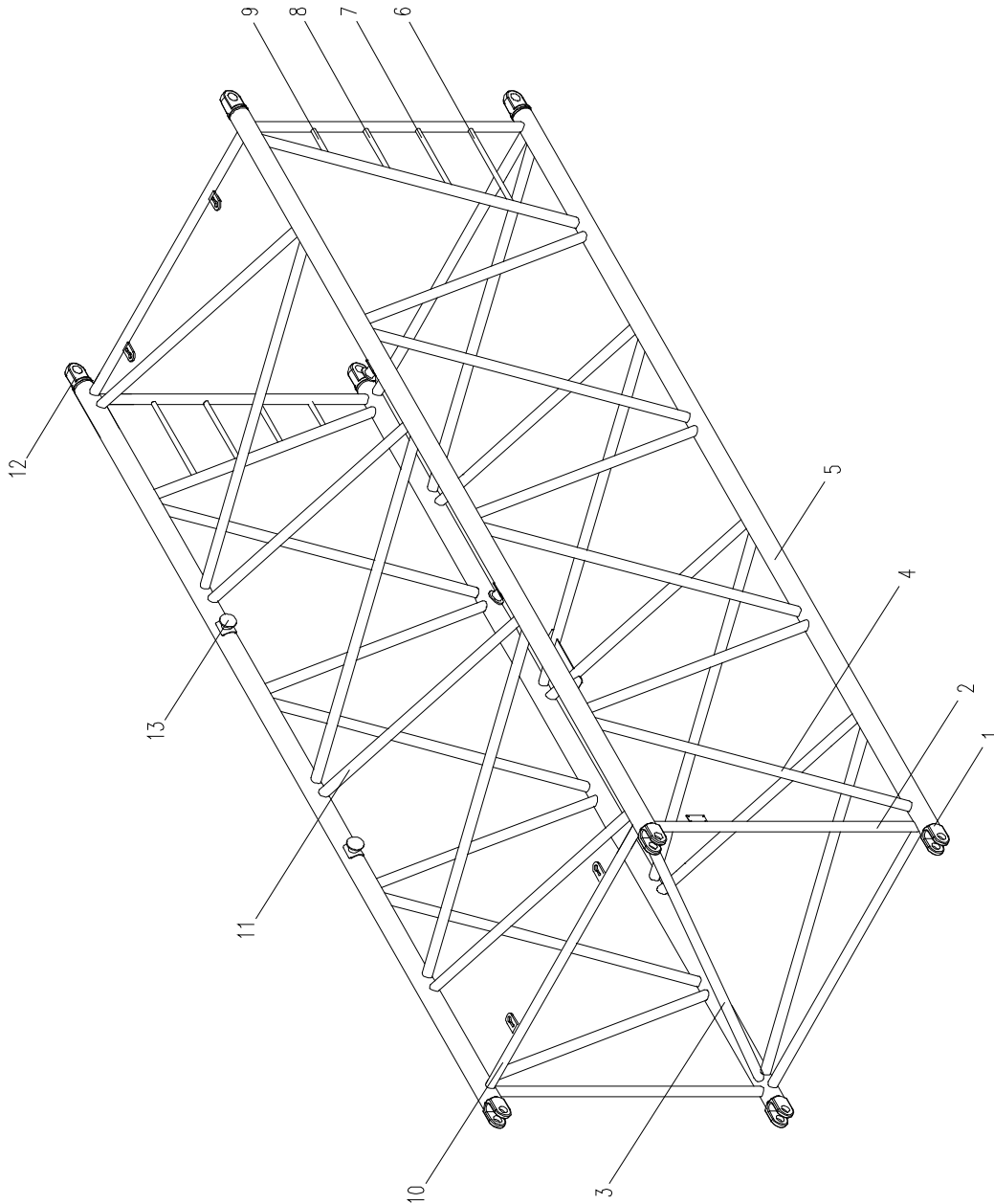
3 M MAIN BOOM INTERMEDIATE SECTION D0066340013060000Y



3 M MAIN BOOM INTERMEDIATE SECTION D00663400130600000Y

POS.	ITEM	DESCRIPTION & SPECIFICATION	QTY.	REMARKS
1	1992000031	Double hinge lug	4	
2	00663400101001010	Web member	4	
3	00663400101001020	Diagonal link	1	
4	00663400101001030	Chord member	4	
5	00663400101001040	Web member	8	
6	1992000011	Single hinge lug	4	
7	00663400101001050	Web member	4	
8	00663400101001060	Web member	8	
9	00663400101880000	Lifting ring	4	

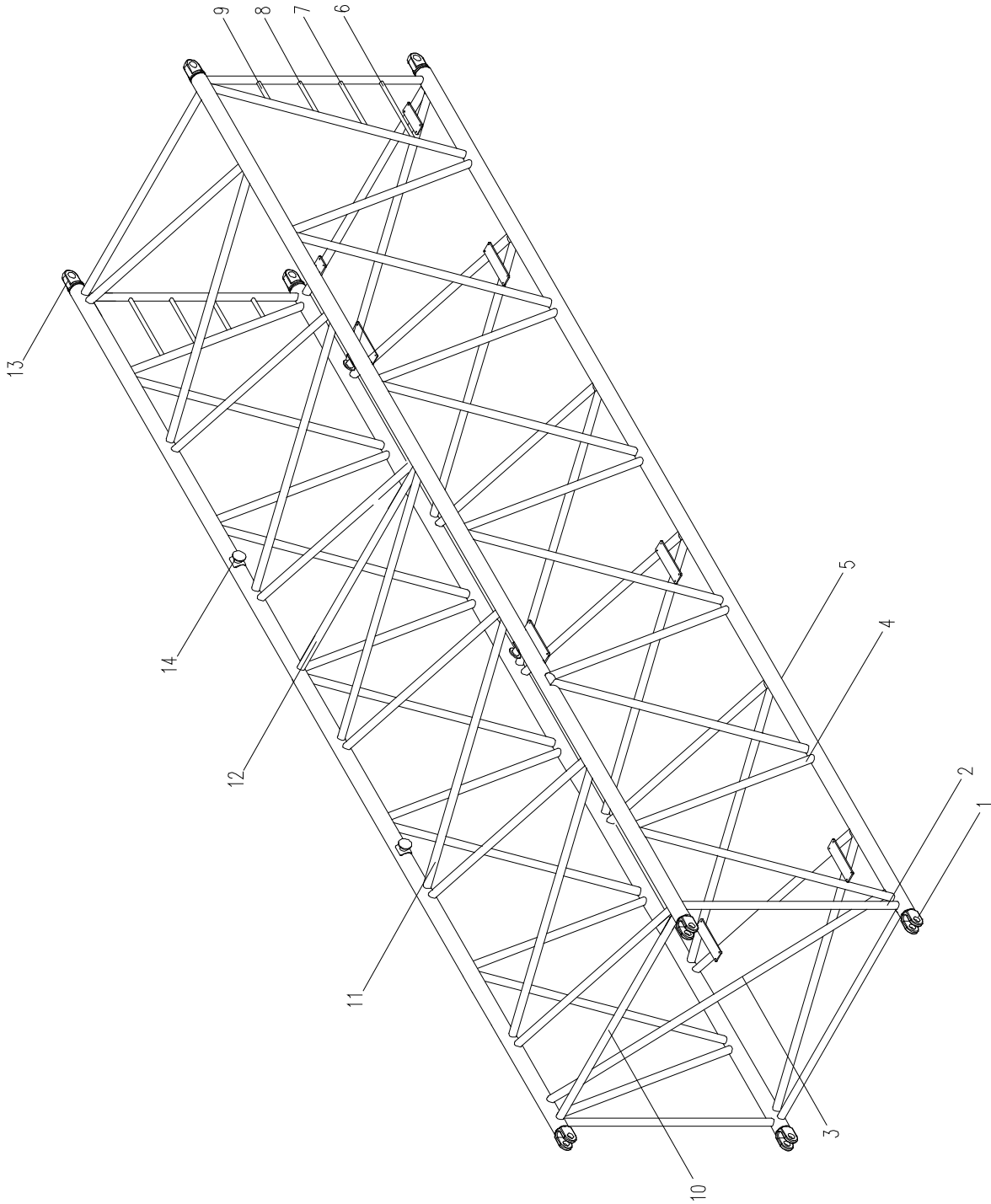
6 M MAIN BOOM INTERMEDIATE SECTION D0066340013080000Y



6 M MAIN BOOM INTERMEDIATE SECTION D0066340013080000Y

POS.	ITEM	DESCRIPTION & SPECIFICATION	QTY.	REMARKS
1	1992000031	Double hinge lug	4	
2	00663400101001010	Web member	4	
3	00663400101001020	Diagonal link	1	
4	00663400101201010	Web member	14	
5	00663400101201020	Chord member	4	
6	00663400101201030	Pipe	2	
7	00663400101201040	Pipe	2	
8	00663400101201050	Pipe	2	
9	00663400101201060	Pipe	2	
10	00663400101001050	Web member	4	
11	00663400101201070	Web member	14	
12	1992000011	Single hinge lug	4	
13	00663400101880000	Lifting ring	4	

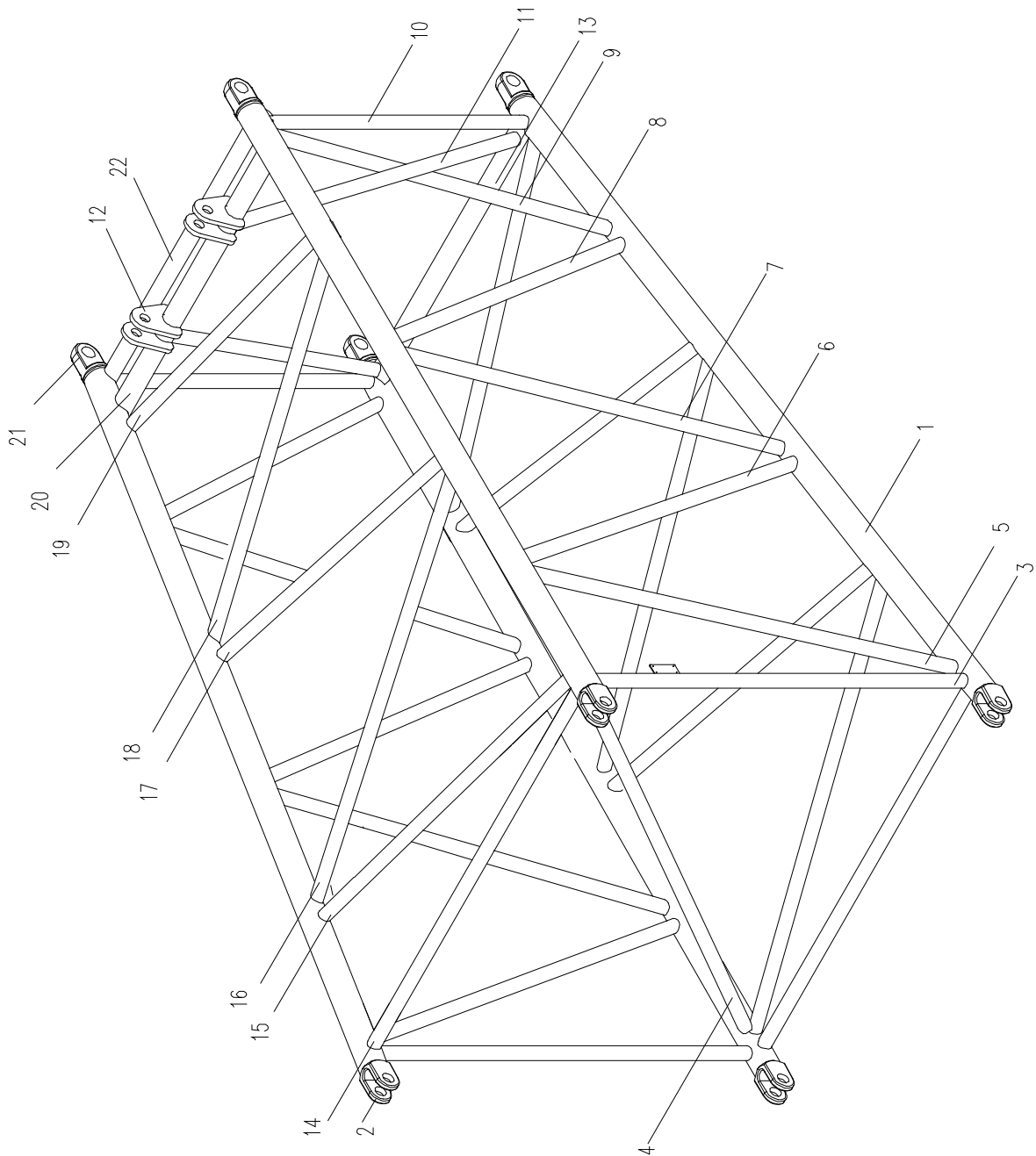
9 M MAIN BOOM INTERMEDIATE SECTION D00663400131000000Y



9 M MAIN BOOM INTERMEDIATE SECTION D00663400131000000Y

POS.	ITEM	DESCRIPTION & SPECIFICATION	QTY.	REMARKS
1	1992000031	Double hinge lug	4	
2	00663400101001010	Web member	4	
3	00663400101001020	Diagonal link	1	
4	00663400101201010	Web member	22	
5	00663400101401010	Chord member	4	
6	00663400101201030	Pipe	2	
7	00663400101201040	Pipe	2	
8	00663400101201050	Pipe	2	
9	00663400101201060	Pipe	2	
10	00663400101001050	Web member	4	
11	00663400101201070	Web member	22	
12	00663400101401020	Pipe	1	
13	1992000011	Single hinge lug	4	
14	00663400101880000	Lifting ring	4	

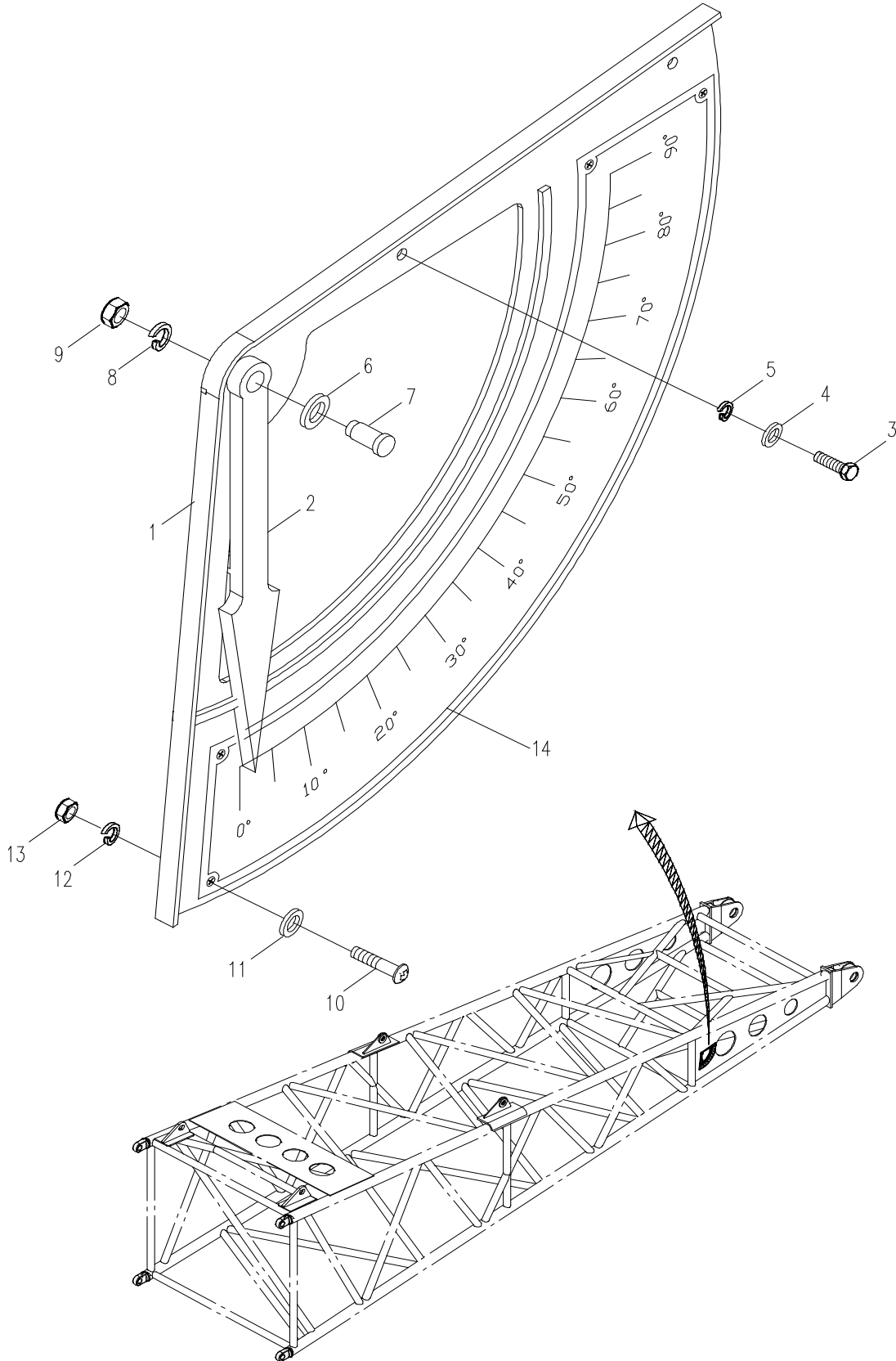
4 M REDUCING SECTION D0066340013120000Y



4 M REDUCING SECTION D0066340013120000Y

POS.	ITEM	DESCRIPTION & SPECIFICATION	QTY.	REMARKS
1	00663400101601010	Chord member	4	
2	1992000031	Double hinge lug	4	
3	00663400101601020	Web member	2	
4	00663400101601030	Diagonal link	1	
5	00663400101601040	Web member	2	
6	00663400101601050	Web member	2	
7	00663400101601060	Web member	2	
8	00663400101601070	Web member	2	
9	00663400101601080	Web member	2	
10	00663400101601090	Web member	2	
11	00663400131201010	Pipe	2	
12	00663400131201020	Plate	4	
13	00663400101601171	Pipe	1	
14	00663400101601100	Web member	2	
15	00663400101601110	Web member	2	
16	00663400101601120	Web member	2	
17	00663400101601130	Web member	2	
18	00663400101601150	Web member	2	
19	00663400101601160	Web member	2	
20	00663400131201030	Pipe	1	
21	1992000029	Double hinge lug	4	
22	00663400131201040	Pipe	1	

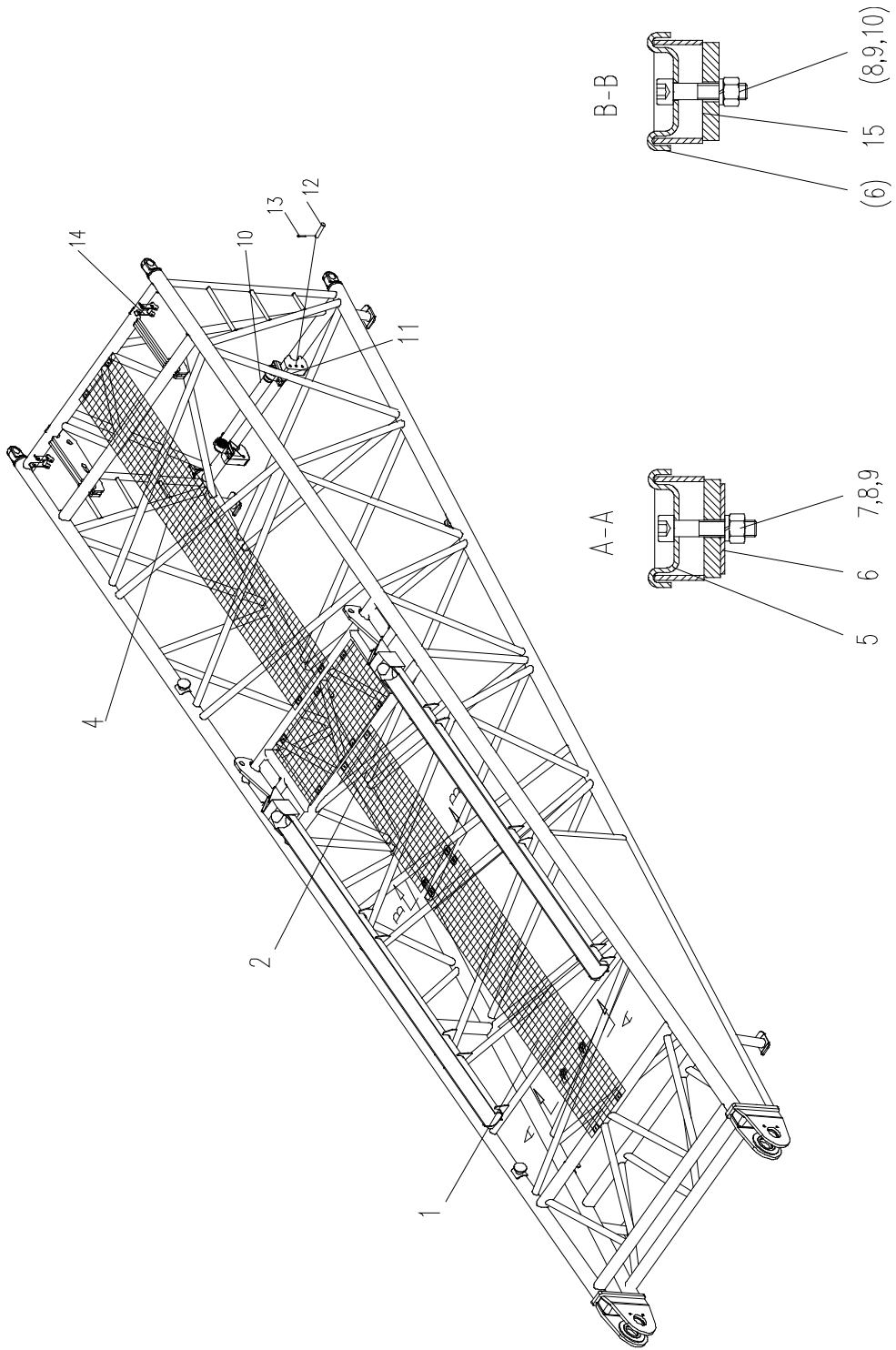
ANGLE INDICATOR D00663300102200000Y



ANGLE INDICATOR D0066330010220000Y

POS.	ITEM	DESCRIPTION & SPECIFICATION	QTY.	REMARKS
1	00663300102210000	Base plate	1	
2	00663300102220000	Pointer	1	
3	1040000267	Bolt M8×20-8.8 GB/T5783-2000	2	
4	1040300063	Washer 8 GB/T93-1987	2	
5	1040300066	Washer 8-200HV GB/T97.1-2002	1	
6	00663300102201020	Washer	1	
7	00663300102201030	Fixing bolt	1	
8	1040300062	Washer 6 GB/T93-1987	1	
9	1040200111	Nut M6-8 GB/T6170-2000	1	
10	1040100001	Screw M8×20-4.8 GB/T818-2000	4	
11	1040300045	Washer 4-200HV GB/T97.1-2002	8	
12	1040300044	Washer 4 GB/T93-1987	4	
13	1040200100	Nut M4-8 GB/T6170-2000	4	
14	00663300102201010	Angle indicator	1	

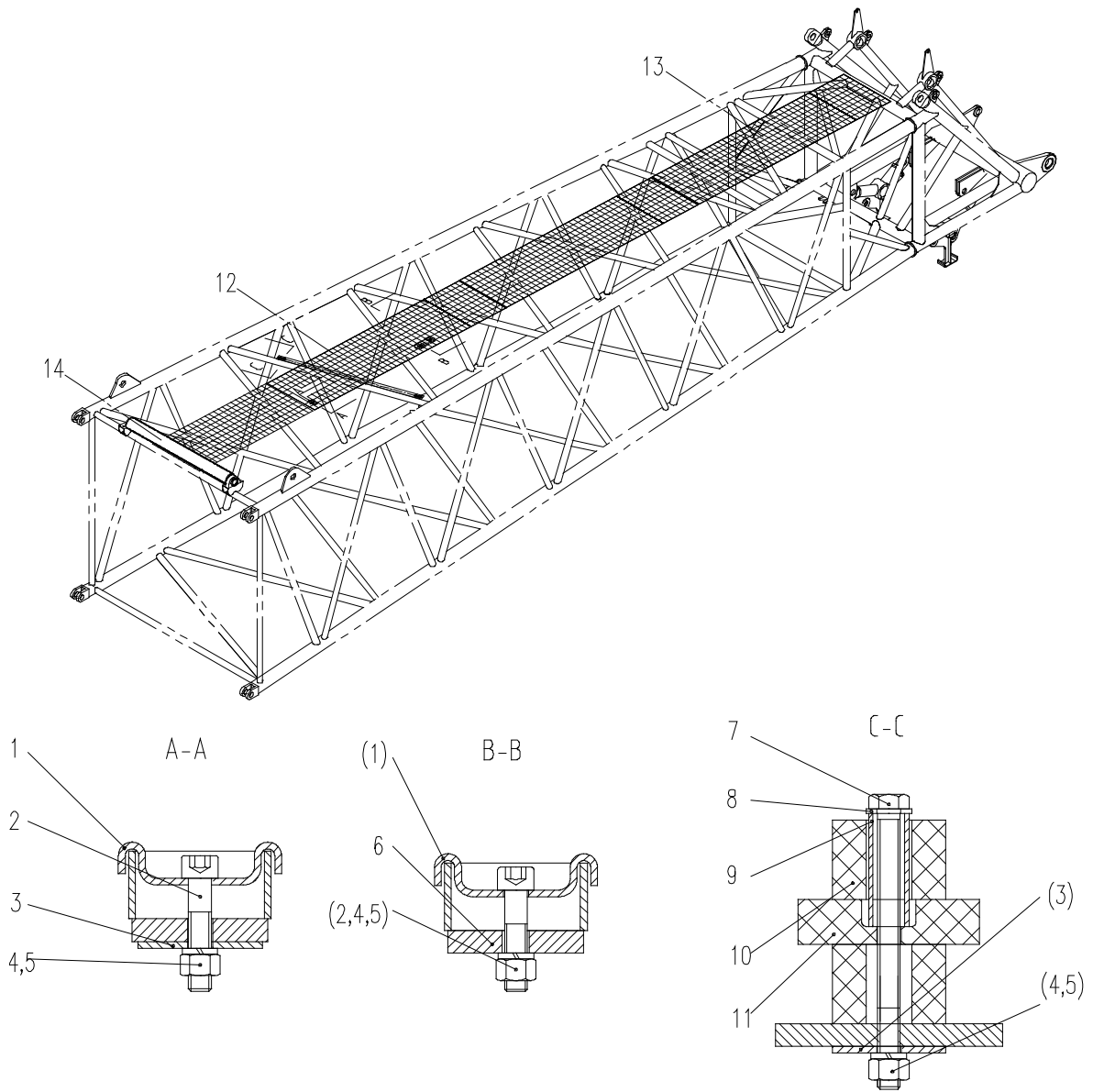
**MAIN BOOM PIVOT SECTION ATTACHMENTS ASSEMBLY
D0066340013260000Y**



**MAIN BOOM PIVOT SECTION ATTACHMENTS ASSEMBLY
D0066340013260000Y**

POS.	ITEM	DESCRIPTION & SPECIFICATION	QTY.	REMARKS
1	1991900006	Grating RD-QUY400-7	1	
2	1991900008	Grating RD-QUY400-23	3	
4	1991900007	Grating RD-QUY400-6	1	
5	1991900001	Chuck plate RD-QUY400-16	44	
6	00663600102401050	Plate	36	
7	1040100166	Screw M10x50-8.8 GB/T70.1-2000	44	
8	1040200113	Nut M10-8 GB/T6170-2000	44	
9	1040300067	Washer 10 GB/T93-1987	44	
10	00663000100400000	Rope Support	1	
11	00663600104010000	Support	2	
12	1040500200	Pin spindle	4	
13	006340000032	Retaining spring (D16, 18,20)	8	
14	1040500206	Pin spindle	4	
15	1991900003	Connecting plate RD-QUY400-17	4	

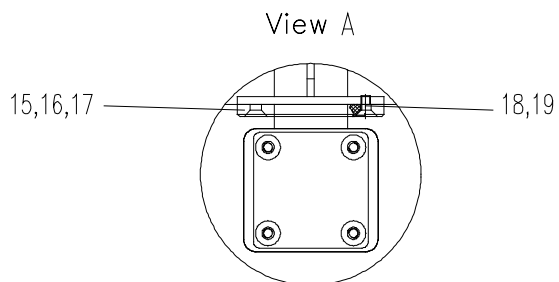
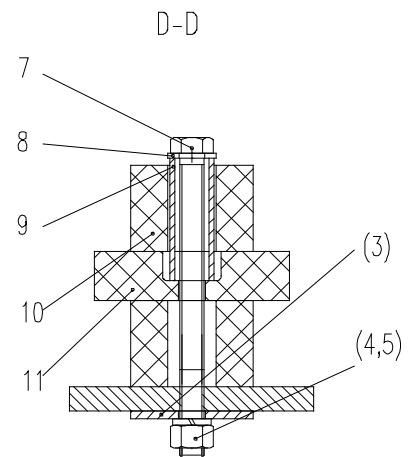
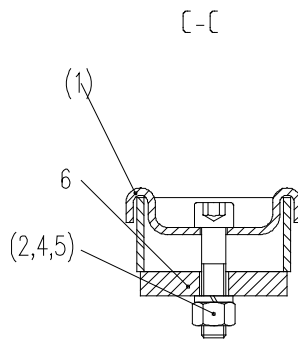
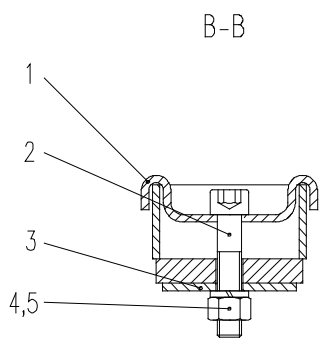
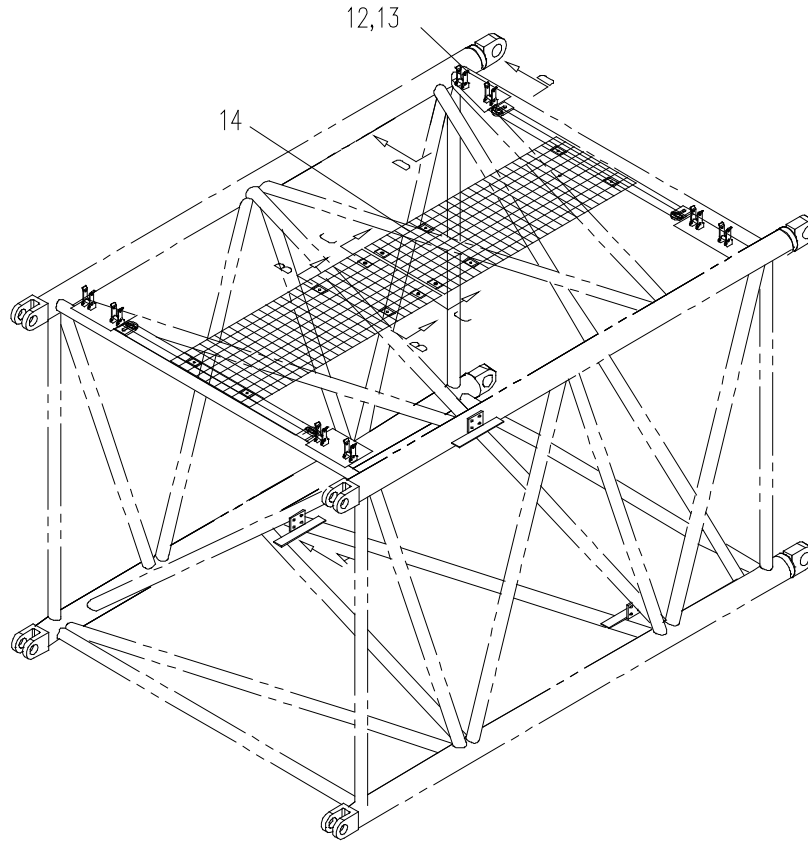
**MAIN BOOM HEAD SECTION ATTACHMENTS ASSEMBLY
D0066340013360000Y**



**MAIN BOOM HEAD SECTION ATTACHMENTS ASSEMBLY
D00663400133600000Y**

POS.	ITEM	DESCRIPTION & SPECIFICATION	QTY.	REMARKS
1	1991900001	Chuck plate	24	
2	1040100166	Screw M10×50-8.8 GB/T70.1-2000	24	
3	00663600102401050	Plate	20	
4	1040200113	Nut M10-8 GB/T6170-2000	30	
5	1040300067	Washer 10 GB/T93-1987	30	
6	1991900003	Connecting plate	5	
7	1040000306	Bolt M10×130-8.8 GB/T5782-2000	4	
8	1040300061	Washer 10-200HV GB/T97.1-2002	4	
9	00663600102401040	Pipe	4	
10	00663600102401030	Nylon pad	8	
11	00663400101801010	Nylon pad	2	
12	1991900008	Grating	1	
13	1991900007	Grating	3	
14	00663300102000000	Rope support	1	

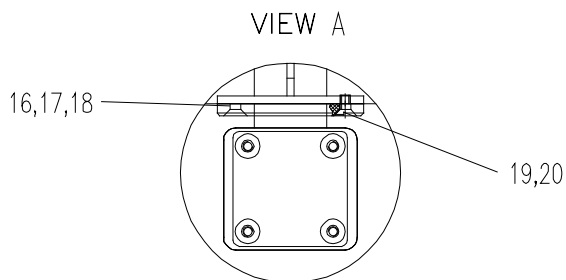
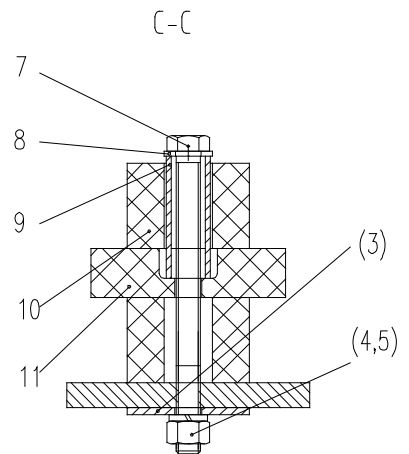
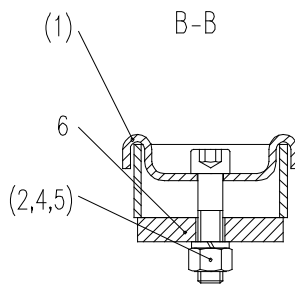
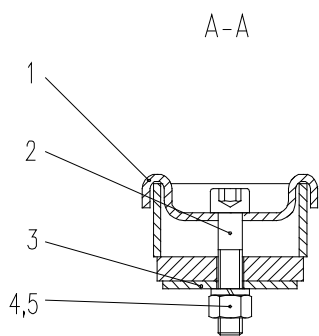
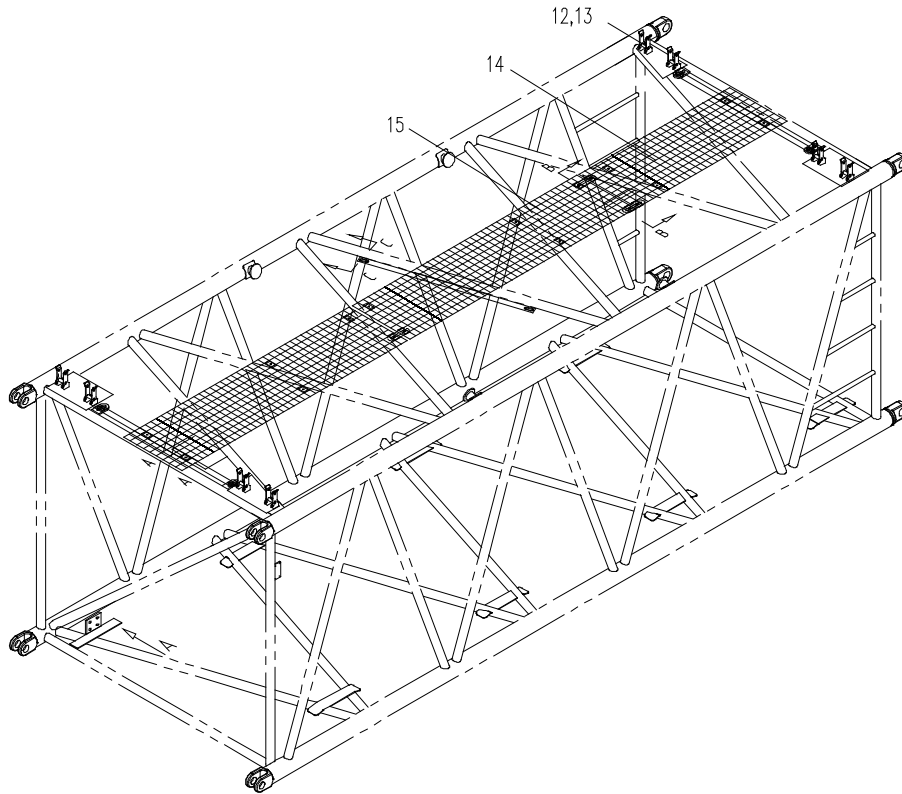
**3 M MAIN BOOM INTERMEDIATE SECTION ATTACHMENTS
ASSEMBLY D0066340013280000Y**



3 M MAIN BOOM INTERMEDIATE SECTION ATTACHMENTS ASSEMBLY D0066340013280000Y

POS.	ITEM	DESCRIPTION & SPECIFICATION	QTY.	REMARKS
1	1991900001	Chuck plate	12	
2	1040100166	Screw M10×50-8.8 GB/T70.1-2000	12	
3	00663600102401050	Plate	12	
4	1040200113	Nut M10-8 GB/T6170-2000	16	
5	1040300067	Washer 10 GB/T93-1987	16	
6	1991900003	Connecting plate	2	
7	1040000306	Bolt M10×130-8.8 GB/T5782-2000	4	
8	1040300061	Washer 10-200HV GB/T97.1-2002	4	
9	00663600102401040	Pipe	4	
10	00663600102401030	Nylon pad	8	
11	00663400101801010	Nylon pad	2	
12	1040500206	Pin spindle	8	
13	006340000032	Retaining spring (D16,18,20)	8	
14	1991900008	Grating	2	
15	00663800103401010	Cushion block (344 mm)	3	
16	00663400103201010	Cushion block (234 mm)	1	
17	00663800103401020	Cushion block (94 mm)	1	
18	00660900103001030	Nylon pad	1	
19	1040100977	Screw	4	

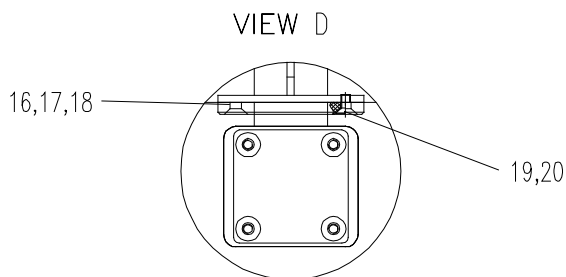
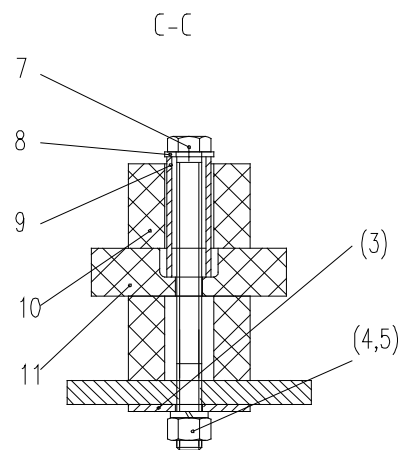
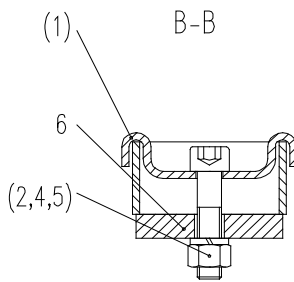
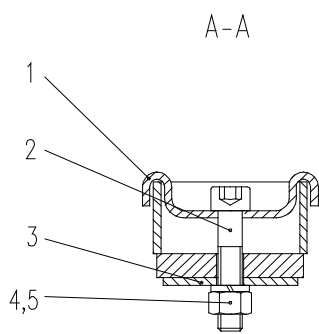
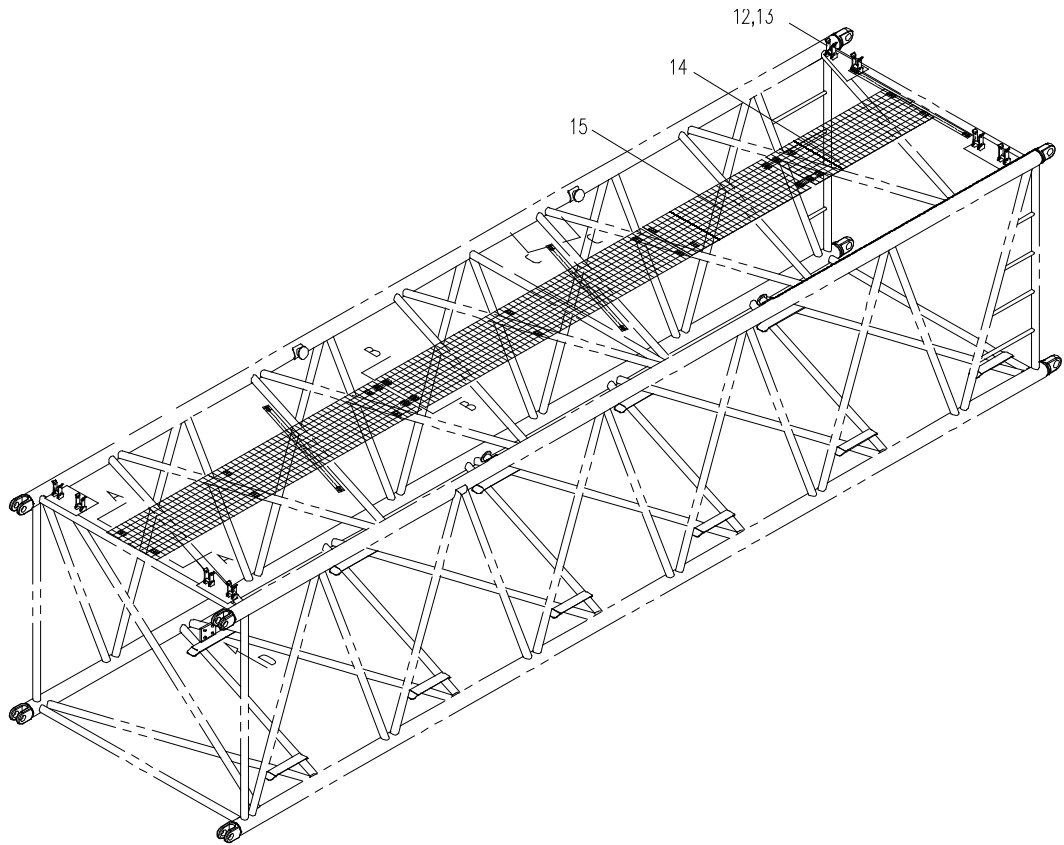
**6 M MAIN BOOM INTERMEDIATE SECTION ATTACHMENTS
ASSEMBLY D0066340013300000Y**



**6 M MAIN BOOM INTERMEDIATE SECTION ATTACHMENTS
ASSEMBLY D0066340013300000Y**

POS.	ITEM	DESCRIPTION & SPECIFICATION	QTY.	REMARKS
1	1991900001	Chuck plate	12	
2	1040100166	Screw M10×50-8.8 GB/T70.1-2000	18	
3	00663600102401050	Plate	18	
4	1040200113	Nut M10-8 GB/T6170-2000	24	
5	1040300067	Washer 10 GB/T93-1987	24	
6	1991900003	Connecting plate	3	
7	1040000306	Bolt M10×130-8.8 GB/T5782-2000	6	
8	1040300061	Washer 10-200HV GB/T97.1-2002	6	
9	00663600102401040	Pipe	6	
10	00663600102401030	Nylon pad	12	
11	00663400101801010	Nylon pad	3	
12	1040500206	Pin spindle	8	
13	006340000032	Retaining spring (D16,18,20)	12	
14	1991900004	Grating	1	
15	1991900005	Grating	2	
16	00663800103401010	Cushion block (344 mm)	6	
17	00663400103201010	Cushion block (234 mm)	1	
18	00663800103401020	Cushion block (94 mm)	1	
19	00660900103001030	Nylon pad	8	
20	1040100977	Screw	64	

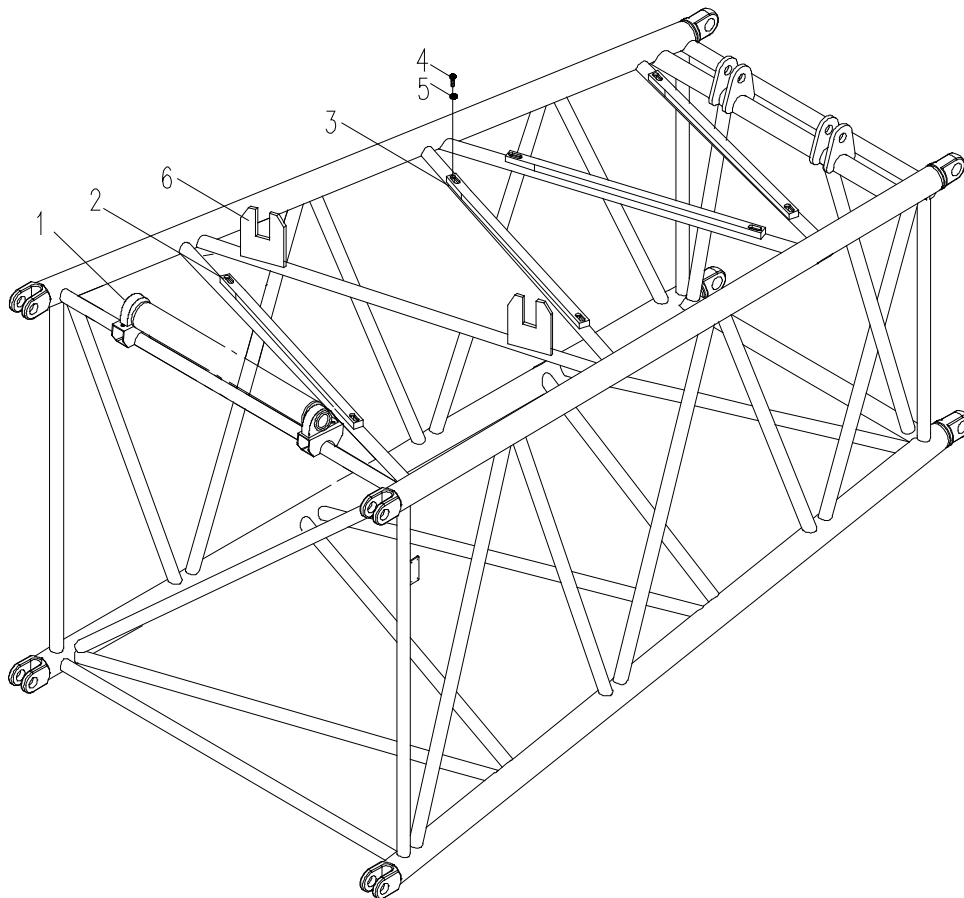
**9 M MAIN BOOM INTERMEDIATE SECTION ATTACHMENTS
ASSEMBLY D0066340013320000Y**



**9 M MAIN BOOM INTERMEDIATE SECTION ATTACHMENTS
ASSEMBLY D0066340013320000Y**

POS.	ITEM	DESCRIPTION & SPECIFICATION	QTY.	REMARKS
1	1991900001	Chuck plate	24	
2	1040100166	Screw M10×50-8.8 GB/T70.1-2000	24	
3	00663600102401050	Plate	22	
4	1040200113	Nut M10-8 GB/T6170-2000	30	
5	1040300067	Washer 10 GB/T93-1987	30	
6	1991900003	Connecting plate	4	
7	1040000306	Bolt M10×130-8.8 GB/T5782-2000	6	
8	1040300061	Washer 10-200HV GB/T97.1-2002	6	
9	00663600102401040	Pipe	6	
10	00663600102401030	Nylon pad	12	
11	00663400101801010	Nylon pad	3	
12	1040500206	Pin spindle	8	
13	006340000032	Retaining spring (D16,18,20)	12	
14	1991900008	Grating	2	
15	1991900006	Grating	2	
16	00663800103401010	Cushion block (344 mm)	6	
17	00663400103201010	Cushion block (234 mm)	1	
18	00663800103401020	Cushion block (94 mm)	1	
19	00660900103001030	Nylon pad	8	
20	1040100977	Screw	64	

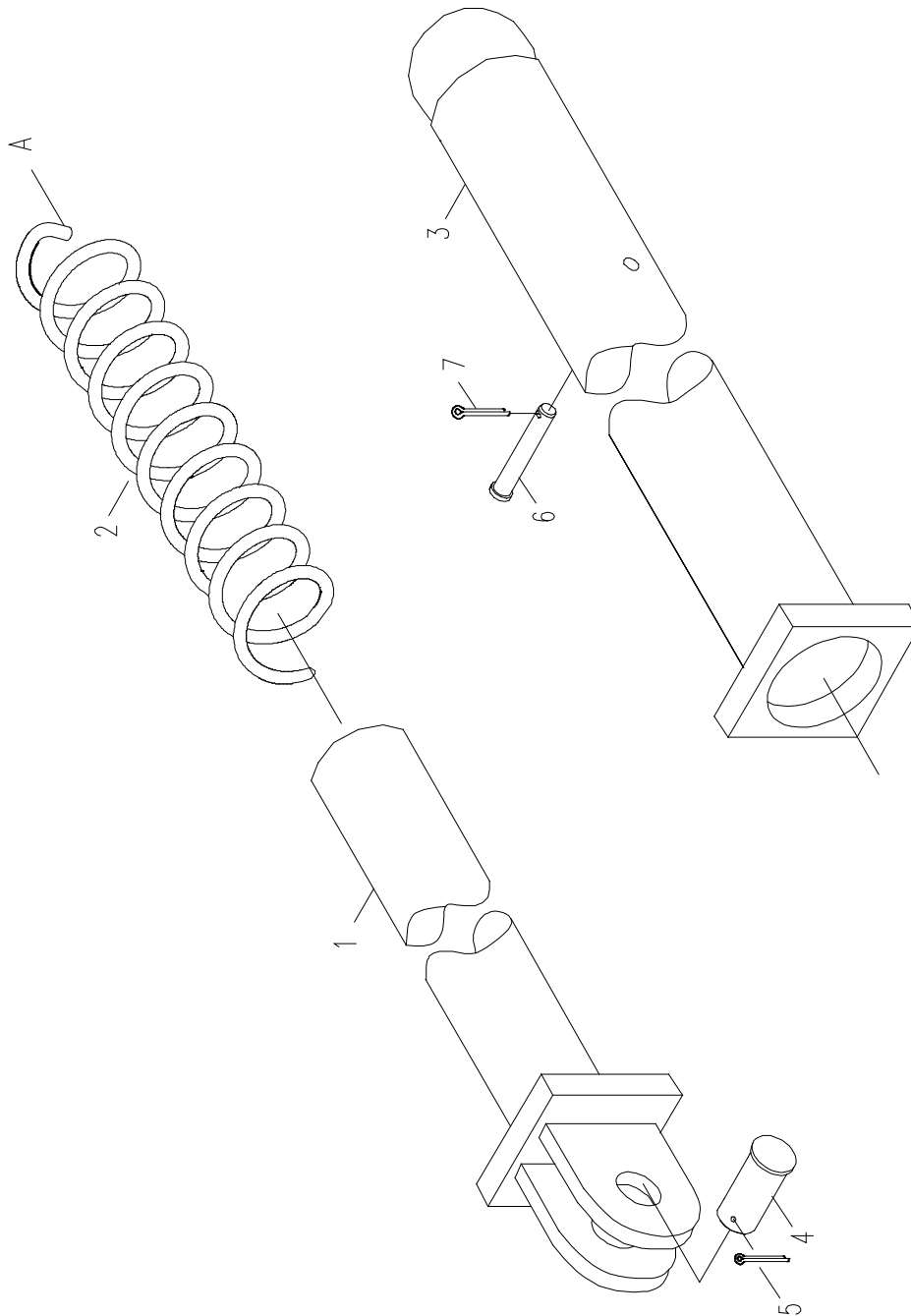
**4 M REDUCING SECTION ATTACHMENTS ASSEMBLY
D00663400133400000Y**



**4 M REDUCING SECTION ATTACHMENTS ASSEMBLY
D00663400133400000Y**

POS.	ITEM	DESCRIPTION & SPECIFICATION	QTY.	REMARKS
1	00663300102000000	Rope support	1	
2	00663803500201010	Nylon pad	1	
3	00663400101801010	Nylon pad	2	
4	1040300094	Washer 8-140HV GB/T96.1-2002	8	
5	1040000267	Bolt M8×20-8.8 GB/T5783-2000	8	
6	00663600100001040	Retaining spring	4	

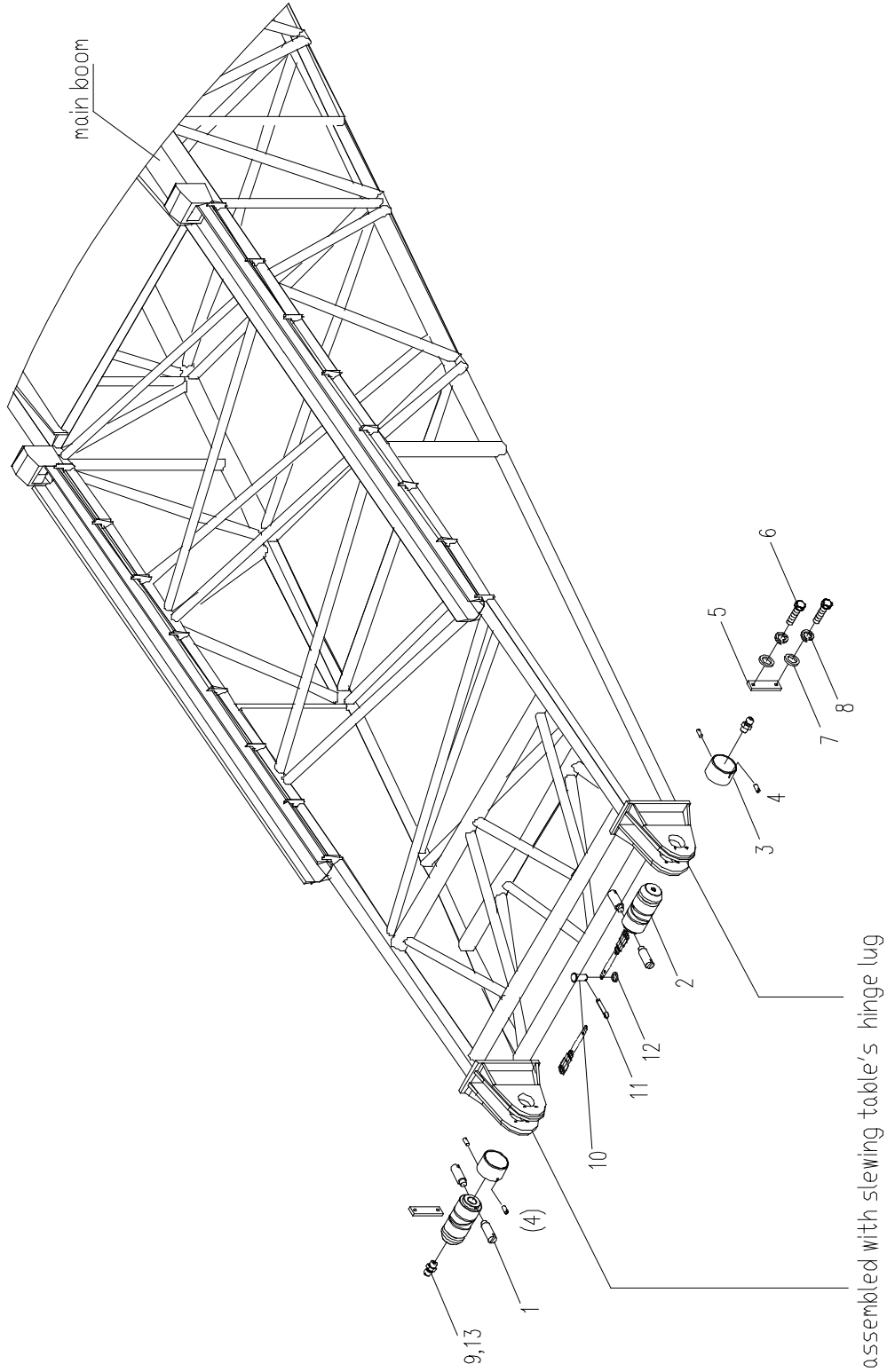
MAIN BOOM TILTING-BACK SUPPORT D00663403120200000Y



MAIN BOOM TILTING-BACK SUPPORT D00663403120200000Y

POS.	ITEM	DESCRIPTION & SPECIFICATION	QTY.	REMARKS
1	00663303100210000	Inner pipe	1	
2	00663303100201010	Spring	1	
3	00663303100220000	Outer pipe	1	
4	00663403120201010	Shaft	1	
5	1040500173	Cotter pin 6.3x80 GB/T91-2000	1	
6	1040500184	Pin spindle B20x160 GB/T882-1986	1	
7	1040500077	Cotter pin 5x30 GB/T91-2000	1	

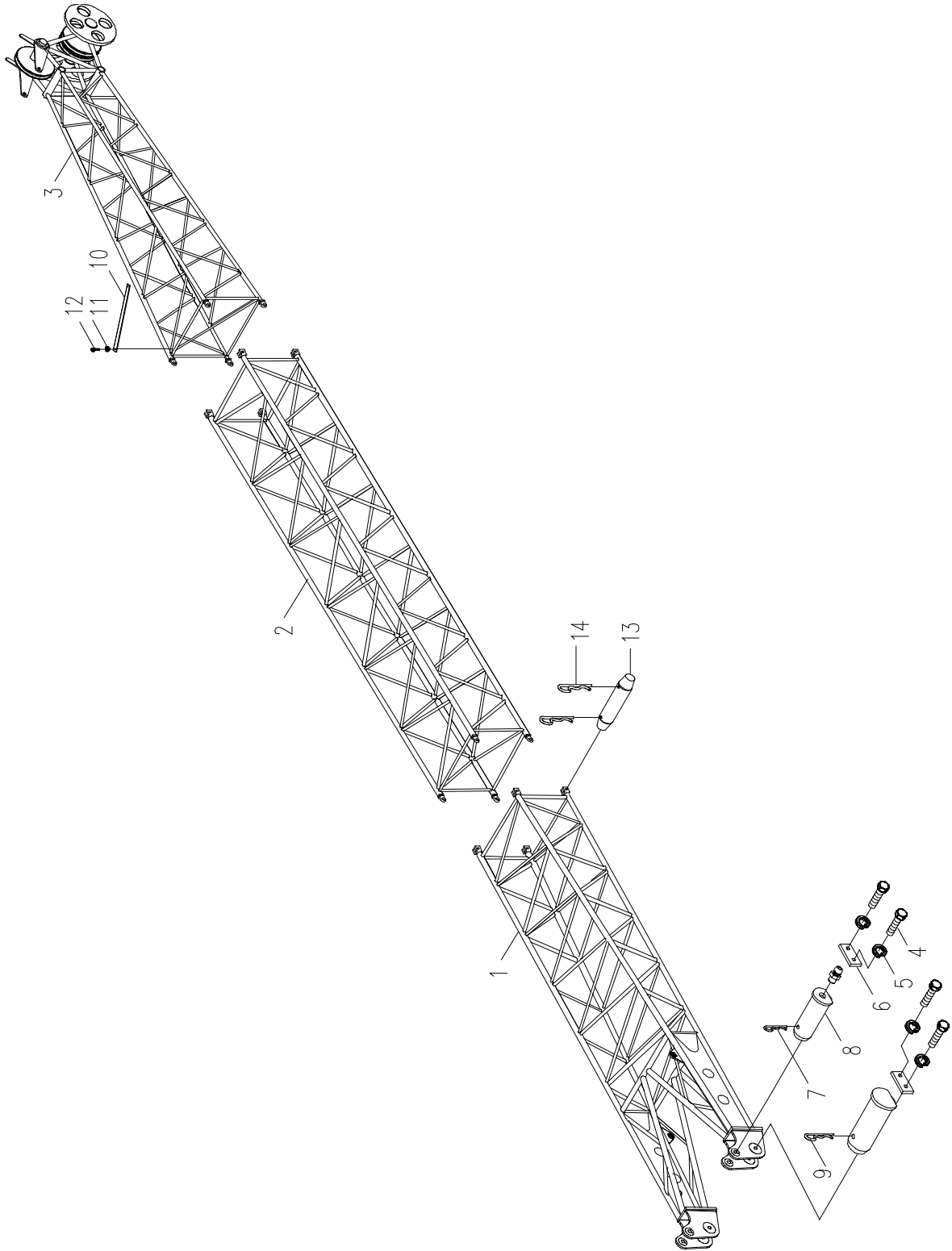
MAIN BOOM ASSEMBLY D0066340471040000Y



MAIN BOOM ASSEMBLY D0066340471040000Y

POS.	ITEM	DESCRIPTION & SPECIFICATION	QTY.	REMARKS
1	1040100226	Screw M10x20x5-33H GB829-1988	8	
2	00663304700401022	Shaft	2	
3	00663304700401010	Brass bush	2	
4	1040100081	Screw M8x20-22H GB/T73-1985	4	
5	00663304700401031	Plate	2	
6	1040000082	Bolt M16x40-8.8 GB/T5783-2000	4	
7	1040300052	Washer 16-200HV GB/T97.1-2002	4	
8	1040300065	Washer 16 GB/T93-1987	4	
9	1080000002	Oil cup M10x1 GB1152-1979	2	
10	00663304700401041	Pin spindle	2	
11	1040500040	Cotter pin 6.3x50 GB/T91-2000	2	
12	1040300074	Washer 30-200HV GB/T97.1-2002	2	
13	204110014	Lithium base grease ZL-2	1	

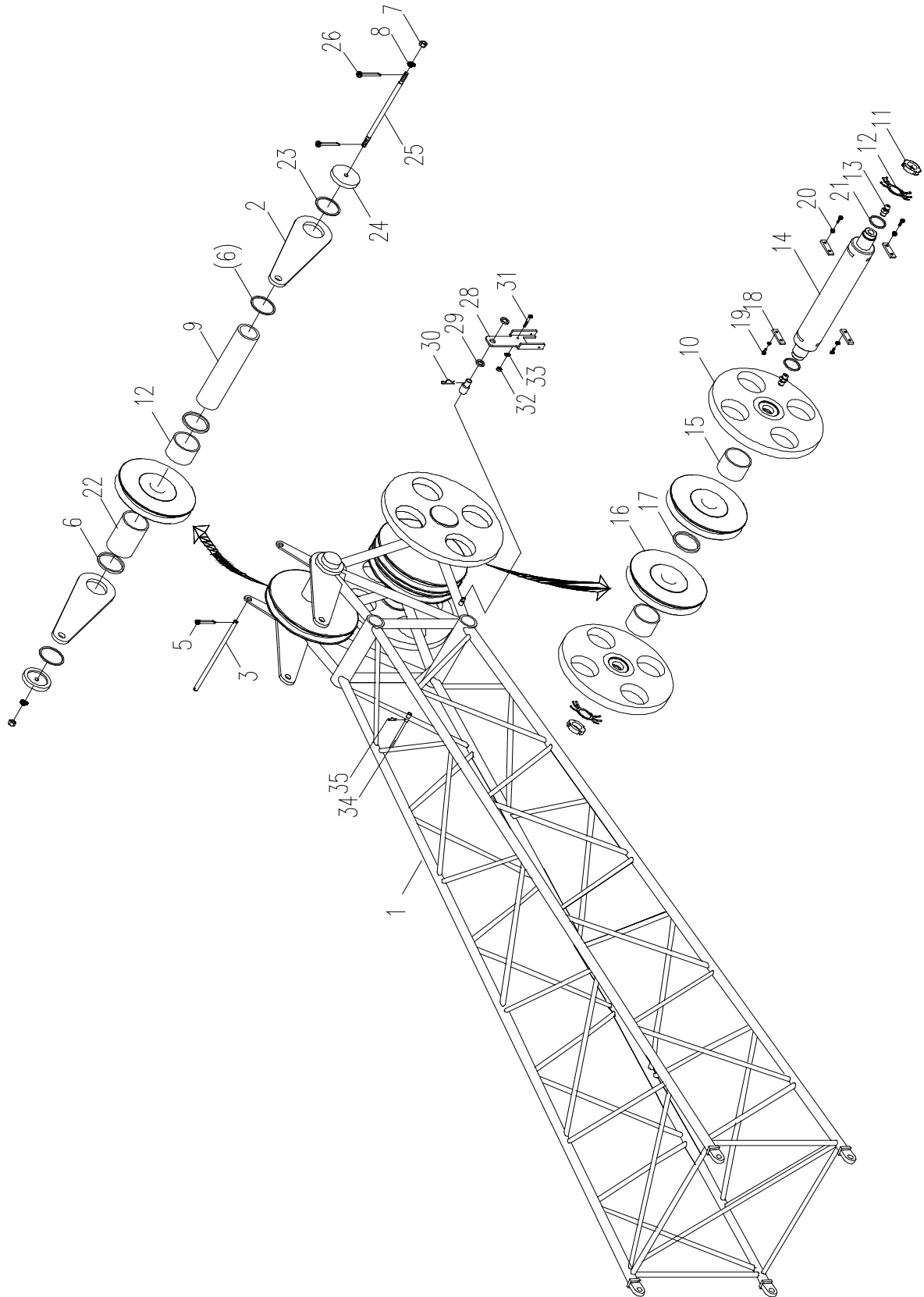
FIXED JIB D0066330020000001Y



FIXED JIB D00663300200000001Y

POS.	ITEM	DESCRIPTION & SPECIFICATION	QTY.	REMARKS
1	00663300200200000	Fixed jib pivot section	1	
2	00663300200400001	6m fixed jib intermediate section	3	
3	00663300200600002	Fixed jib head assy.	1	
4	1040000177	Bolt M16x55-8.8 GB/T5783-2000	8	
5	1040300065	Washer 16 GB/T93-1987	8	
6	00663300200001071	retaining plate	4	
7	00663300200001020	Retaining spring	2	
8	00663300200001010	Pin spindle	2	
9	00663300200001040	Retaining spring	2	
10	00663300200001080	Nylon plate	11	
11	1040300094	Washer 8-140HV GB/T96.1-2002	22	
12	1040000267	Bolt M8x20-8.8 GB/T5783-2000	22	
13	00663300200001051	Pin spindle	16	
14	00663300200001060	Retaining spring	32	
15	00663300100001230	Retaining spring	16	
16	1080000002	Oil cup M10x1 GB1152-1989	2	

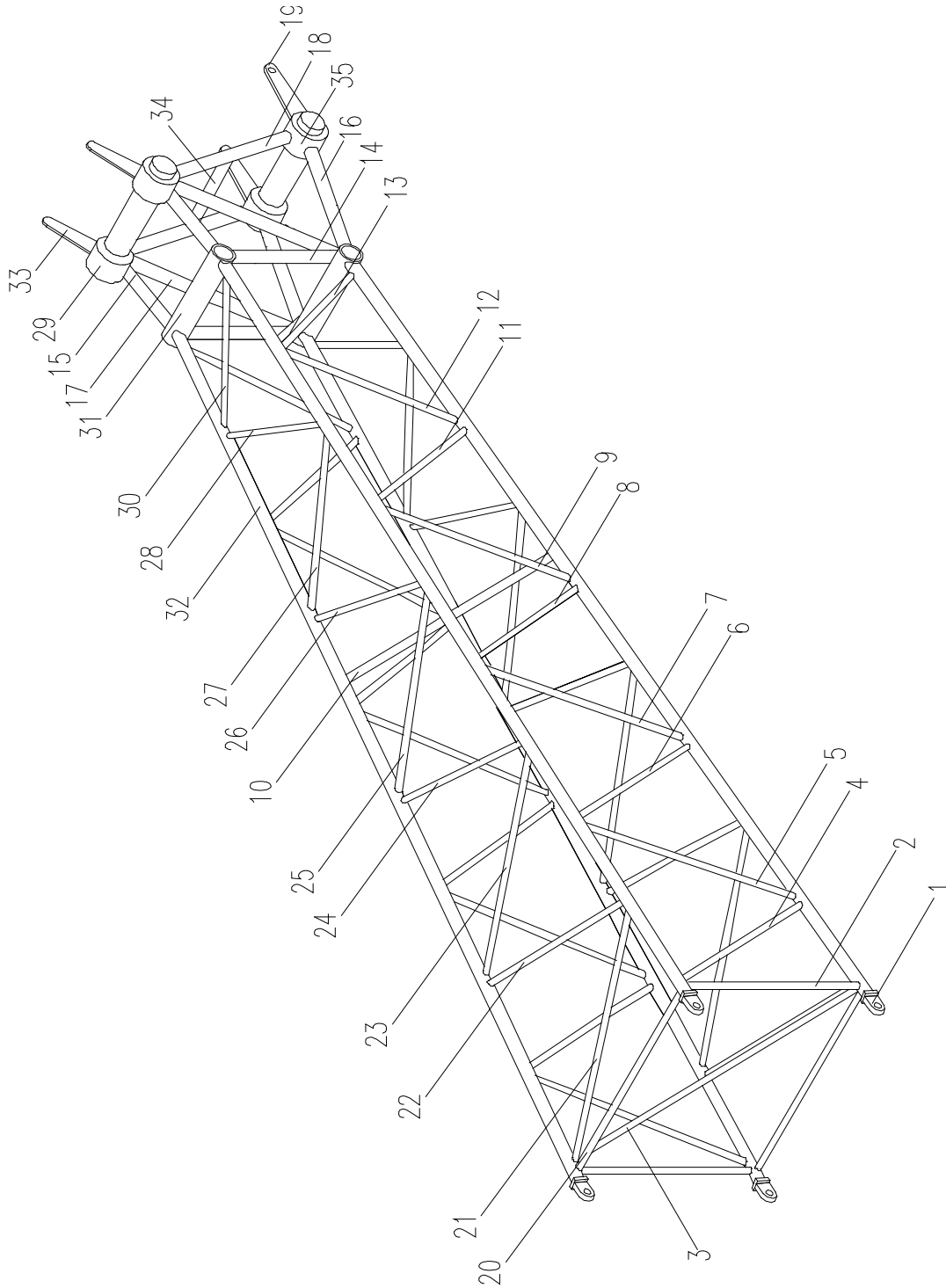
FIXED JIB HEAD SECTION ASSY. D0066330020060002Y



FIXED JIB HEAD SECTION ASSY. D00663300200600002Y

POS.	ITEM	DESCRIPTION & SPECIFICATION	QTY.	REMARKS
1	00663300200610002	Fixed jib head	1	
2	00663300200601031	Anchoring rod	2	
3	00663300200601090	Rope guard tube	3	
5	1040500040	Cotter pin 6.3x50 GB/T91-2000	6	
6	00663300100001010	Spacing sleeve	2	
7	1040200102	Nut M24-8 GB/T6170-2000	2	
8	1040300049	Washer 24 GB/T93-1987	2	
9	00663300200601070	Shaft	1	
10	00663300200620001	Running wheel assembly	2	
11	1040200185	Nut M60x2 GB/T812-1988	2	
12	1040300087	Washer 60 GB/T858-1988	2	
13	1080000002	Oil cup M10x1 GB1152-1989	2	
14	00663306601001021	Shaft	1	
15	00663306601001061	Spacing sleeve	3	
16	00663302100200002	Pulley assy.	3	
17	00663306601001070	Spacing sleeve	1	
18	006340000056	Retaining plate 120	4	
19	1040000065	Bolt M16x45-8.8 GB/T5783-2000	8	
20	1040300065	Washer 16 GB/T93-1987	8	
21	00663300200601020	Washer	2	
22	00663306601001081	Spacing sleeve	1	
23	00663600200601080	Spacing sleeve	2	
24	00663306601001100	Top cap	2	
25	00663300200601080	Threaded rod	1	
26	1040500057	Cotter pin 5x50 GB/T91-2000	2	
27	204110014	Lithium base grease ZL-2	1	
28	00663400100410000	Mounting bracket	1	
29	00663200102401010	Pad	2	
30	006340000032	Retaining spring (D16,18,20)	1	
31	1040000304	Bolt M4x40-8.8 GB/T5783-2000	2	
32	1040200100	Nut M4-8 GB/T6170-2000	2	
33	1040300044	Washer 4 GB/T93-1987	2	
34	00663606600401050	Rod	1	
35	1040500353	Retaining spring	1	

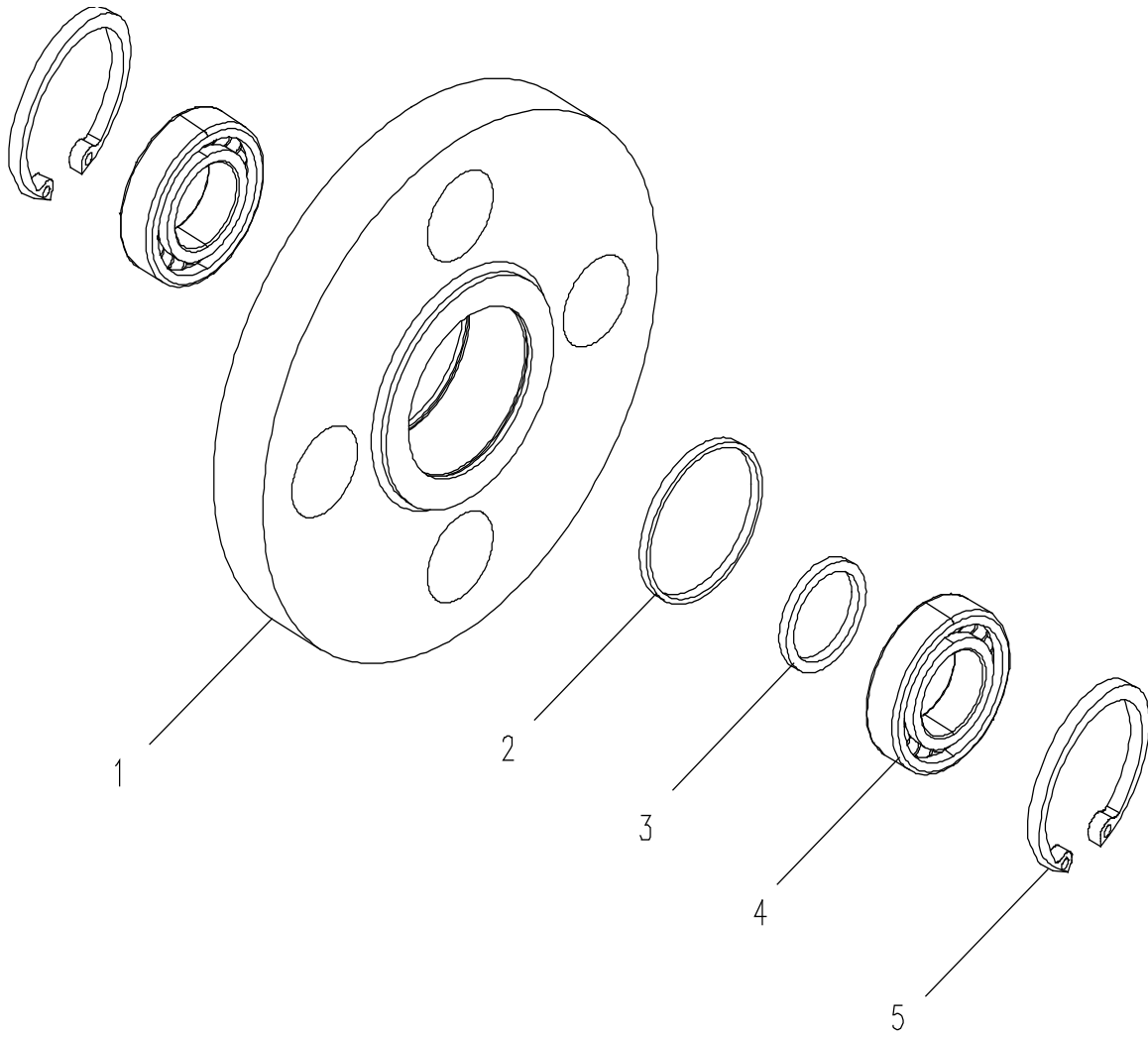
FIXED JIB HEAD SECTION D00663300200610002Y



FIXED JIB HEAD SECTION D00663300200610002Y

POS.	ITEM	DESCRIPTION & SPECIFICATION	QTY.	REMARKS
1	00663000200401011	Single hinge lug	4	
2	00663300200611013	Web member	2	
3	00663300200611023	Diagonal link	1	
4	00663300200611043	Web member	2	
5	00663300200611053	Web member	2	
6	00663300200611063	Web member	2	
7	00663300200611073	Web member	2	
8	00663300200611083	Web member	2	
9	00663300200611103	Web member	2	
10	00663300200611093	Diagonal link	1	
11	00663300200611113	Web member	2	
12	00663300200611123	Web member	2	
13	00663300200611133	Web member	2	
14	00663300200611441	Pipe	2	
15	00663300200611451	Pipe	2	
16	00663300200611471	Pipe	2	
17	00663300200611481	Pipe	2	
18	00663300200611501	Pipe	2	
19	00663306601011910	Plate	2	
20	00663300200611203	Web member	2	
21	00663300200611213	Web member	2	
22	00663300200611223	Web member	2	
23	00663300200611233	Web member	2	
24	00663300200611243	Web member	2	
25	00663300200611253	Web member	2	
26	00663300200611263	Web member	2	
27	00663300200611273	Web member	2	
28	00663300200611283	Web member	2	
29	00663306601011900	Shaft sleeve	2	
30	00663300200611293	Web member	2	
31	00663300200611511	Pipe ©114x9	2	
32	00663300200611591	Chord member	4	
33	00663406600411300	Plate	2	
34	00663300200611580	Pipe	1	
35	00663306601011670	Shaft sleeve	2	

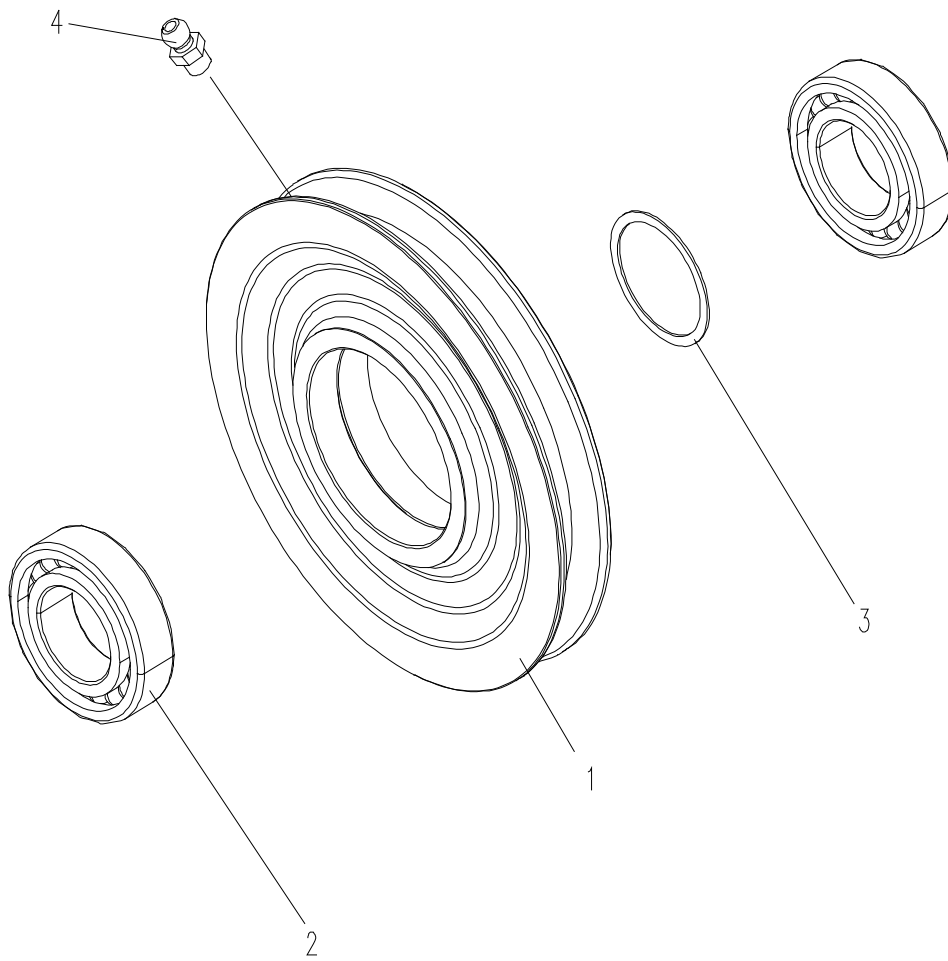
RUNNING WHEEL ASSEMBLY D00663300200620001Y



RUNNING WHEEL ASSEMBLY D00663300200620001Y

POS.	ITEM	DESCRIPTION & SPECIFICATION	QTY.	REMARKS
1	00663300200621011	Running wheel	1	
2	00663300200621022	Spacing sleeve	1	
3	00663300200621032	Spacing sleeve	1	
4	1050200087	Rolling bearing	2	
5	1040300181	Retaining ring	2	

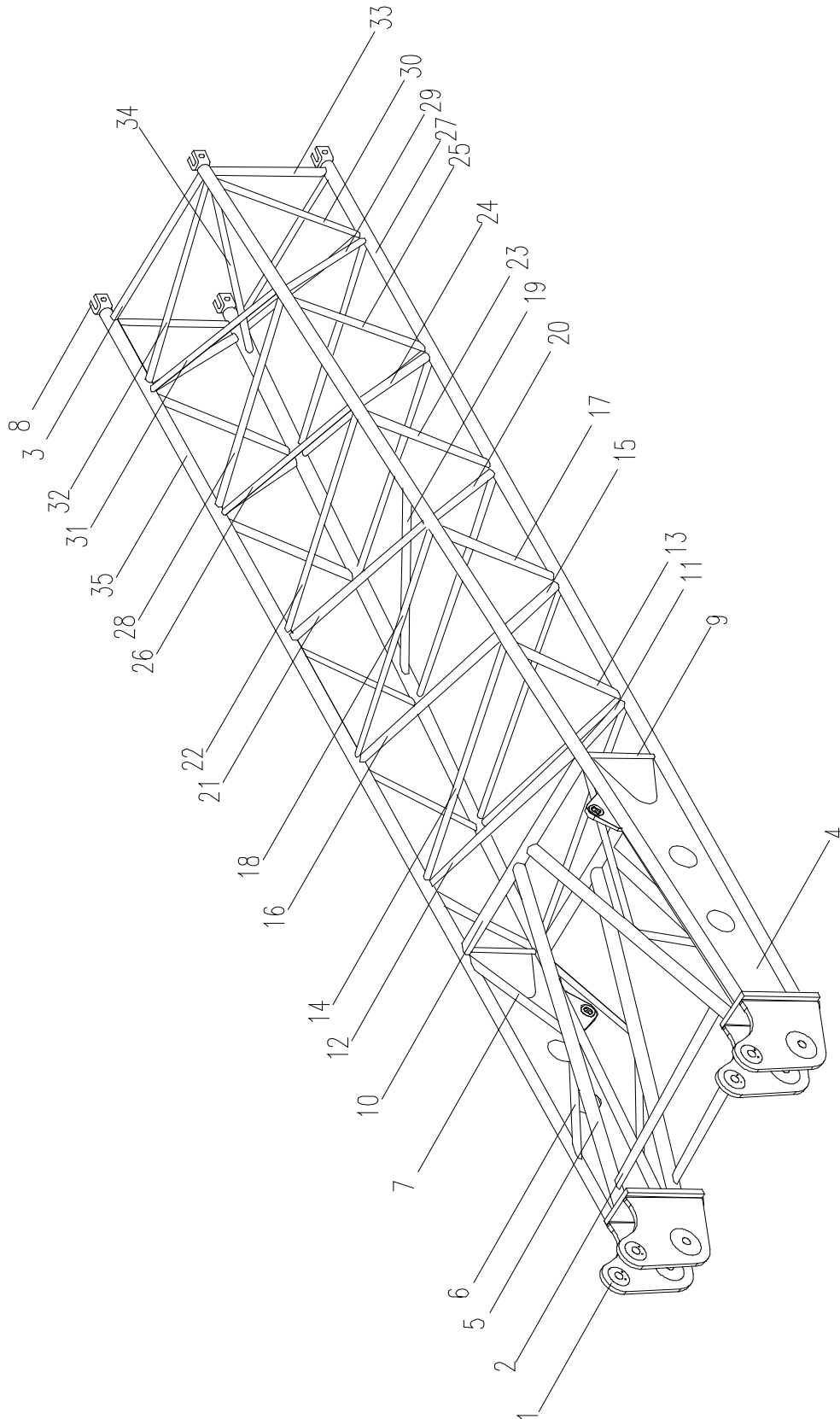
PULLEY ASSY. D00663302100200002Y



PULLEY ASSY. D00663302100200002Y

POS.	ITEM	DESCRIPTION & SPECIFICATION	QTY.	REMARKS
1	00663302100201012	Pulley	1	
2	1050200085	Rolling bearing 6224-Z GB/T276-1994	2	
3	00663300100001011	Spacing sleeve	1	
4	1080000001	Oil cup M10×1 GB1152-1979	2	
5	204110014	Lithium base grease	1	

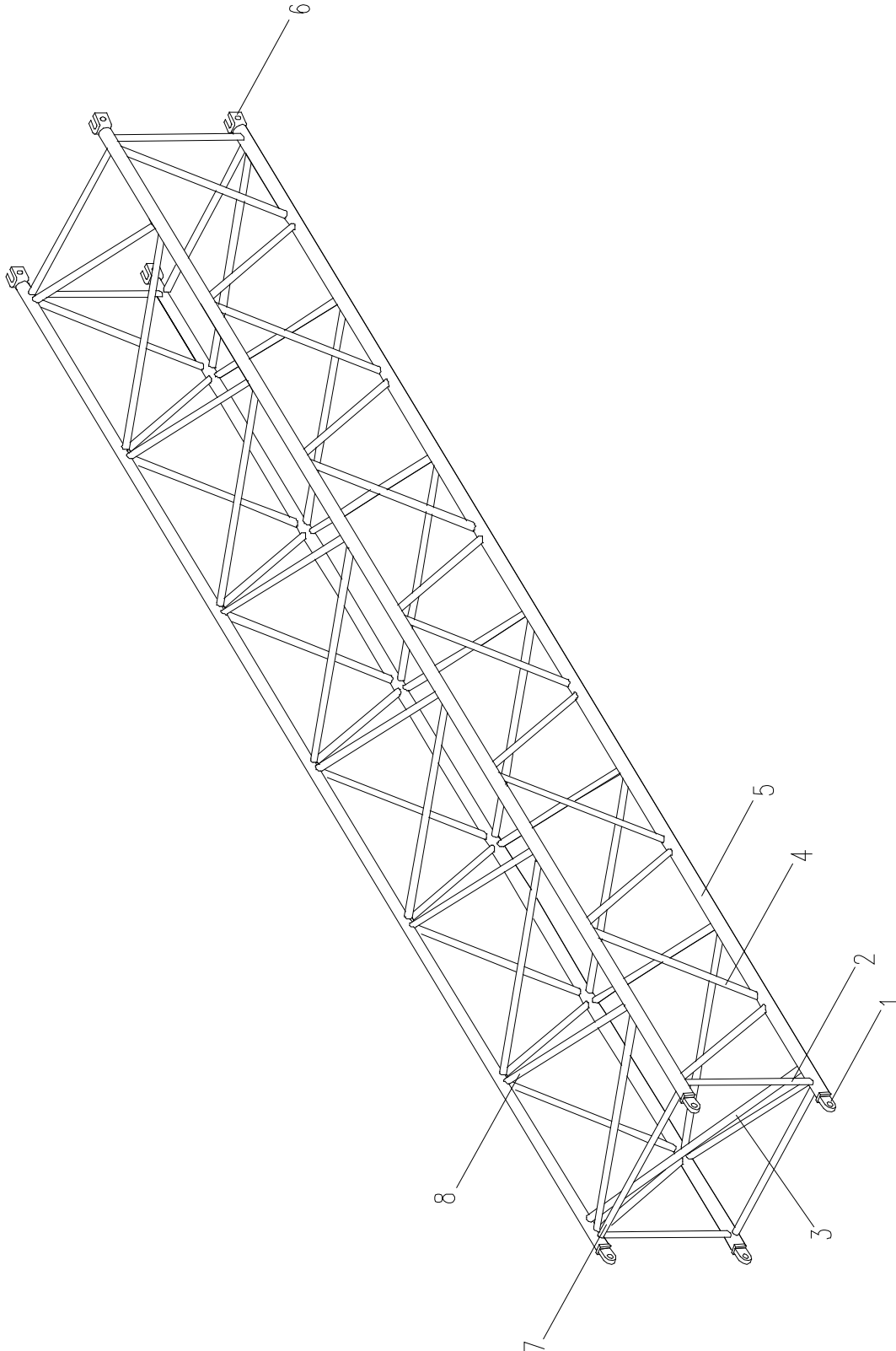
FIXED JIB PIVOT SECTION D00663300200200000Y



FIXED JIB PIVOT SECTION D00663300200200000Y

POS.	ITEM	DESCRIPTION & SPECIFICATION	QTY.	REMARKS
1	00663300200230001	Forking fitting	1	
2	00663300200201470	Reinforcing member	2	
3	00663300200201101	Web member	2	
4	00663300200201110	Side plate	2	
5	00663300200201120	Diagonal link	4	
6	00663300200201130	Horizontal diagonal link	4	
7	00663300200201140	Horizontal diagonal link	4	
8	00663000200201122	Double hinge lug	4	
9	00663300200201162	Vertical member	2	
10	00663300200201172	Horizontal member	2	
11	00663300200201181	Web member	2	
12	00663300200201191	Web member	2	
13	00663300200201201	Web member	2	
14	00663300200201211	Web member	2	
15	00663300200201221	Web member	2	
16	00663300200201231	Web member	2	
17	00663300200201241	Web member	2	
18	00663300200201251	Web member	2	
19	00663300200201261	Diagonal link	1	
20	00663300200201271	Web member	2	
21	00663300200201281	Web member	2	
22	00663300200201291	Web member	2	
23	00663300200201301	Web member	2	
24	00663300200201311	Web member	2	
25	00663300200201321	Web member	2	
26	00663300200201331	Web member	2	
27	00663300200201340	Chord member	2	
28	00663300200201351	Web member	2	
29	00663300200201361	Web member	2	
30	00663300200201371	Web member	2	
31	00663300200201381	Web member	2	
32	00663300200201391	Web member	2	
33	00663300200201401	Web member	2	
34	00663300200201411	Diagonal link	1	
35	00663300200201440	Chord member		

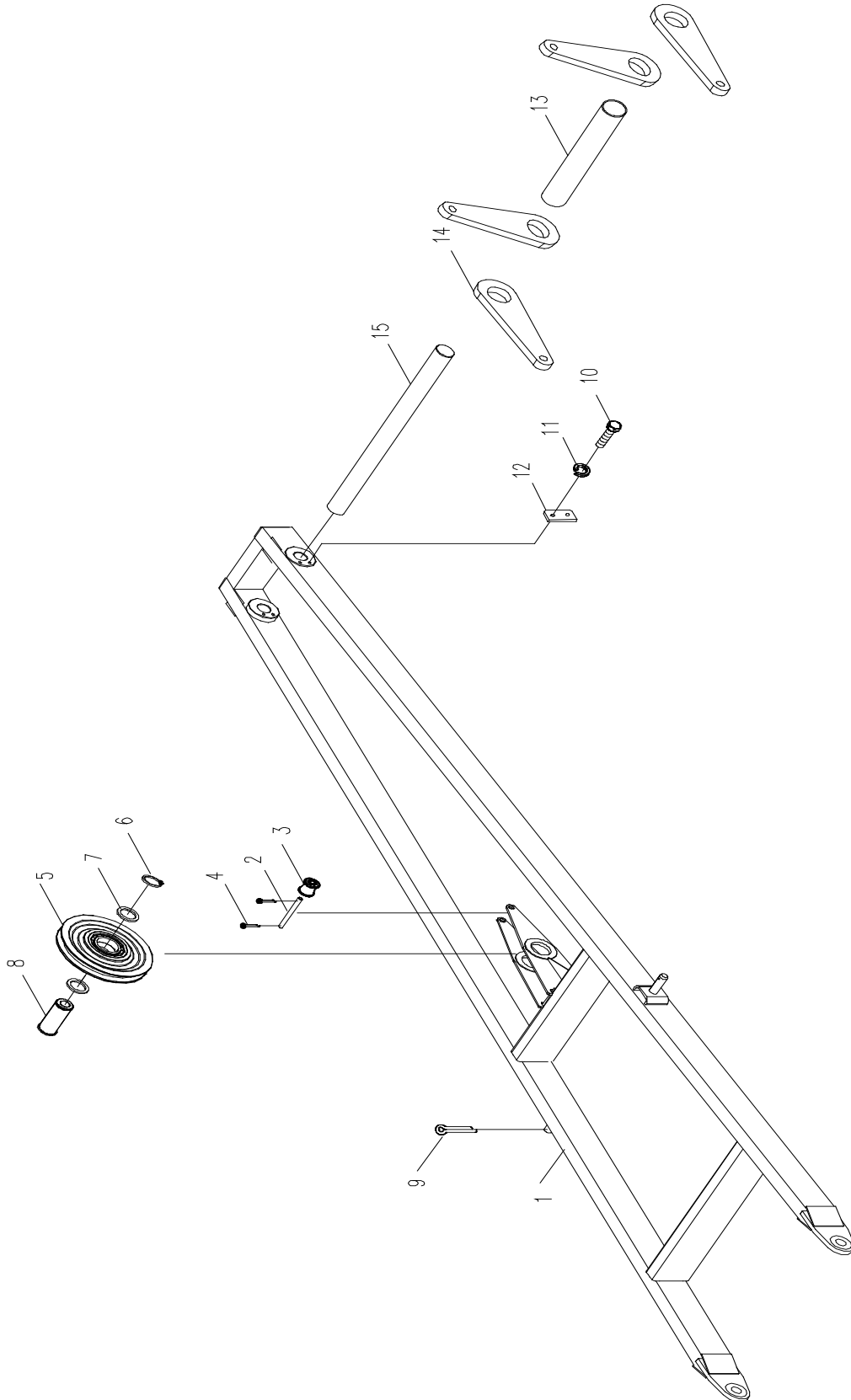
6 M FIXED JIB INTERMEDIATE SECTION D00663300200400001Y



6 M FIXED JIB INTERMEDIATE SECTION D00663300200400001Y

POS.	ITEM	DESCRIPTION & SPECIFICATION	QTY.	REMARKS
1	00663000200401011	Single hinge lug	4	
2	00663300200401021	Web member	4	
3	00663300200401081	Diagonal link	3	
4	00663300200401041	Web member	24	
5	00663300200401091	Chord member	4	
6	00663000200201122	Double hinge lug	4	
7	00663300200401031	Web member	4	
8	00663300200401061	Web member	24	

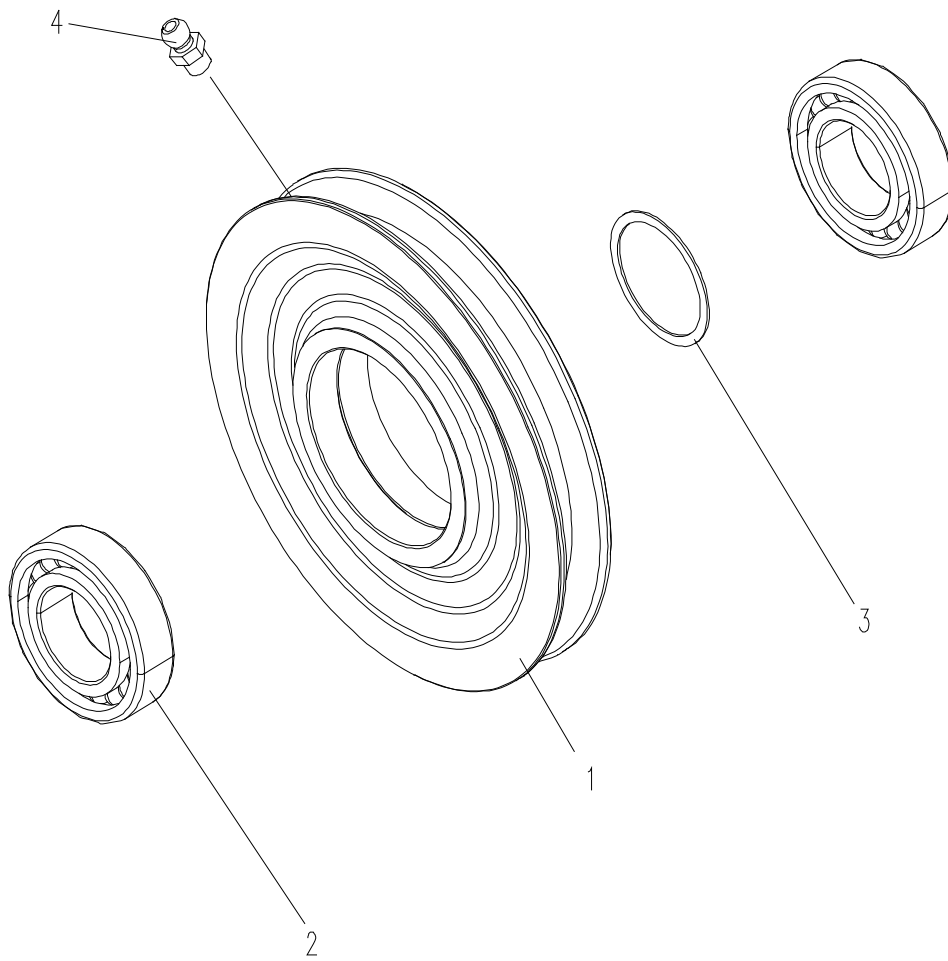
FA-FRAME D0066300780000002Y



FA-FRAME D0066300780000002Y

POS.	ITEM	DESCRIPTION & SPECIFICATION	QTY.	REMARKS
1	00663307800200002	FA-frame	1	
2	00663308000001030	pipe	1	
3	00663606600001140	Guider roller	1	
4	1040500057	Cotter pin 5x50 GB/T91-2000	1	
5	00663302100200002	Pulley assy.	1	
6	1040300107	Retainer ring 120 GB/T894.1-1986	1	
7	00663306601001070	Spacing sleeve	2	
8	00663308000001040	Shaft	1	
9	1040500076	Cotter pin 8x60 GB/T91-2000	2	
10	1040000069	Bolt M12x25-8.8 GB/T5783-2000	4	
11	1040300054	Washer 12 GB/T93-1987	4	
12	00663307800001041	Retaining plate	2	
13	00663307800001020	Spacing sleeve	1	
14	00663307800001030	Anchoring rod	4	
15	00663307800001010	Shaft	1	

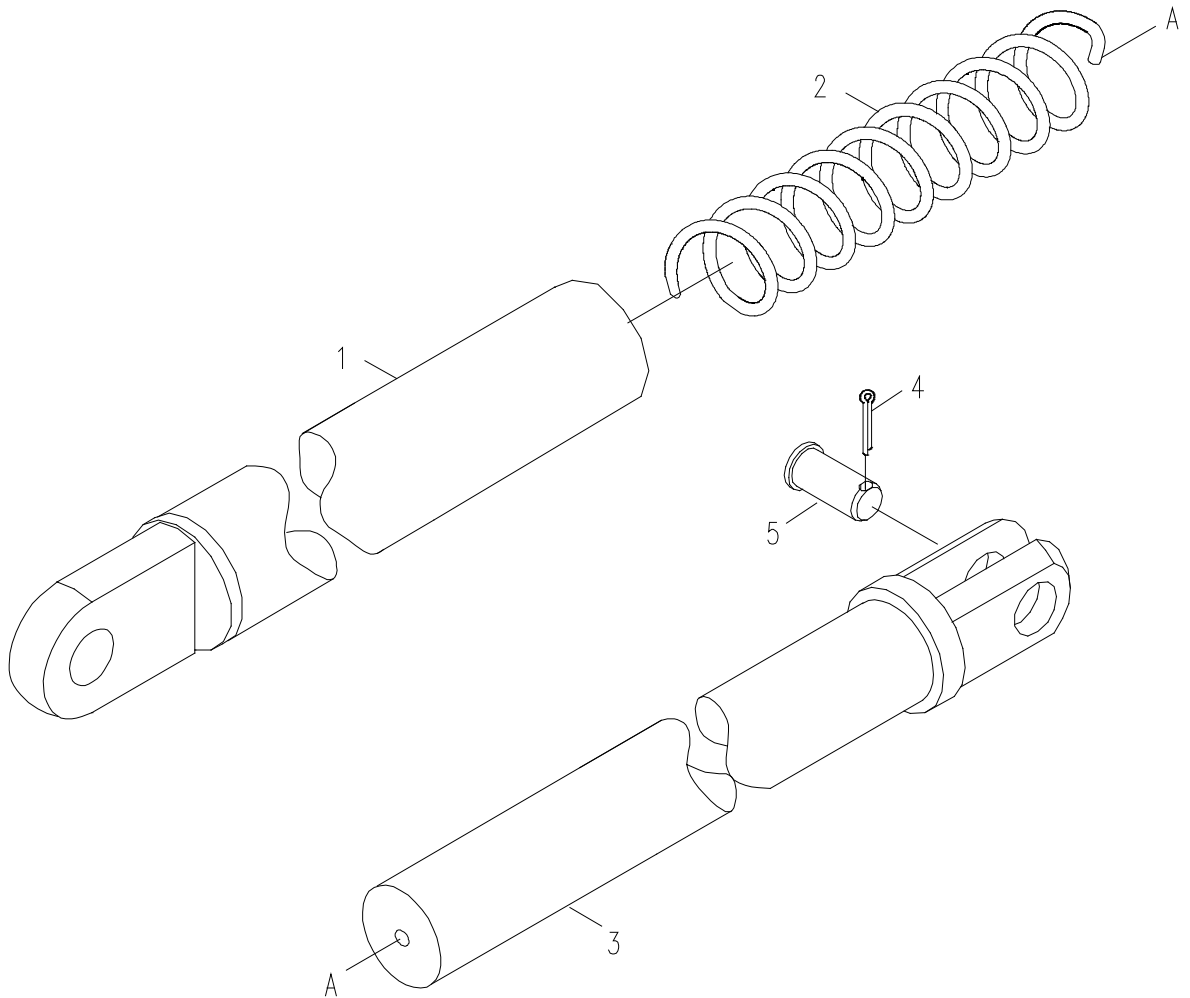
PULLEY ASSY. D00663302100200002Y



PULLEY ASSY. D00663302100200002Y

POS.	ITEM	DESCRIPTION & SPECIFICATION	QTY.	REMARKS
1	00663302100201012	Pulley	1	
2	1050200085	Rolling bearing 6224-Z GB/T276-1994	2	
3	00663300100001011	Spacing sleeve	1	
4	1080000001	Oil cup M10×1 GB1152-1979	2	
5	204110014	Lithium base grease	1	

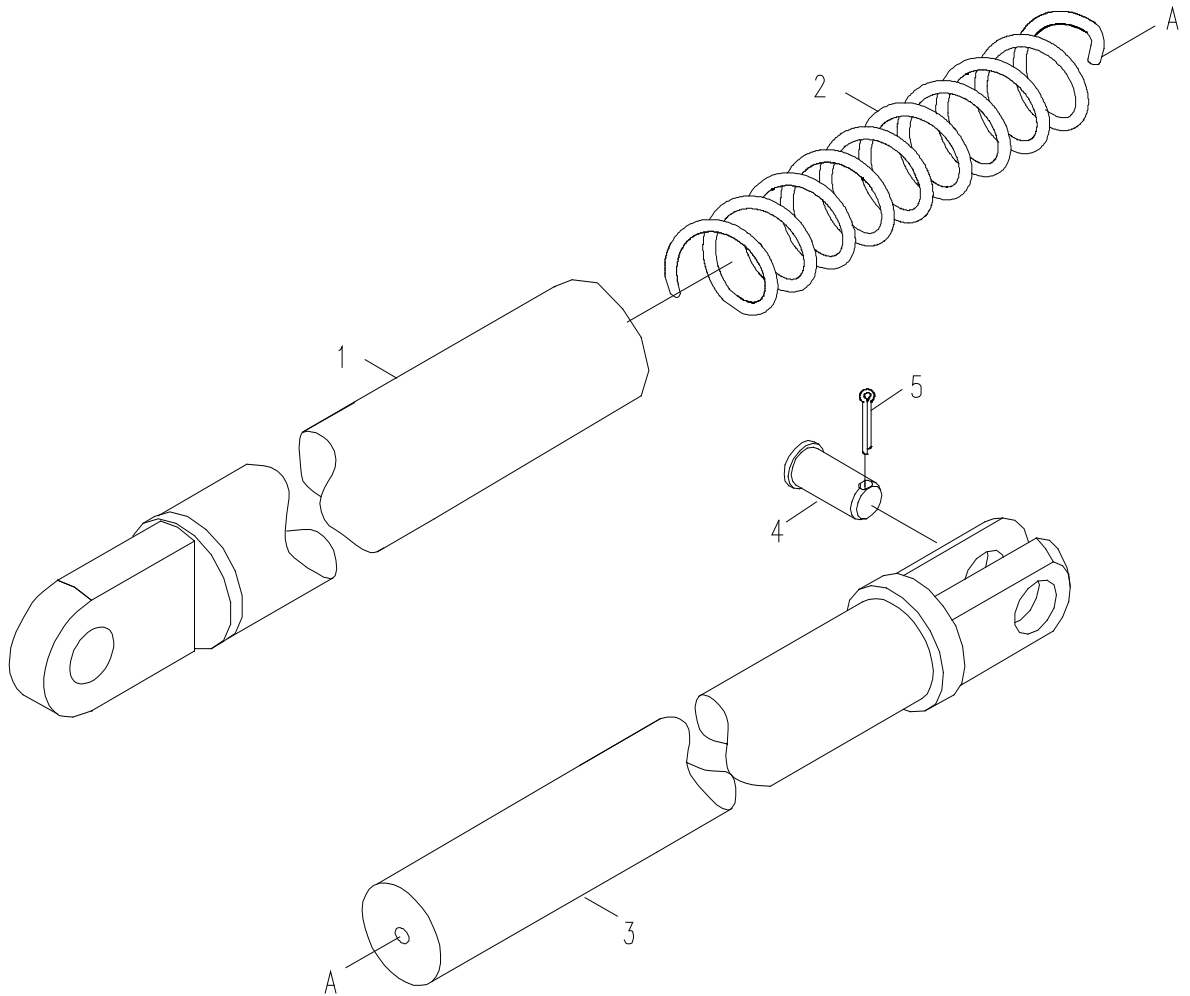
**REAR TILTING-BACK SUPPORT OF FIXED JIB
D00663303100400000Y**



**REAR TILTING-BACK SUPPORT OF FIXED JIB
D00663303100400000Y**

POS.	ITEM	DESCRIPTION & SPECIFICATION	QTY.	REMARKS
1	00663303100410000	Outer pipe	1	
2	00663303100401010	Spring	1	
3	00663303100420000	Inner pipe	1	
4	1040500076	Cotter pin 8x60 GB/T91-2000	2	
5	00663308000001020	Pin spindle	1	

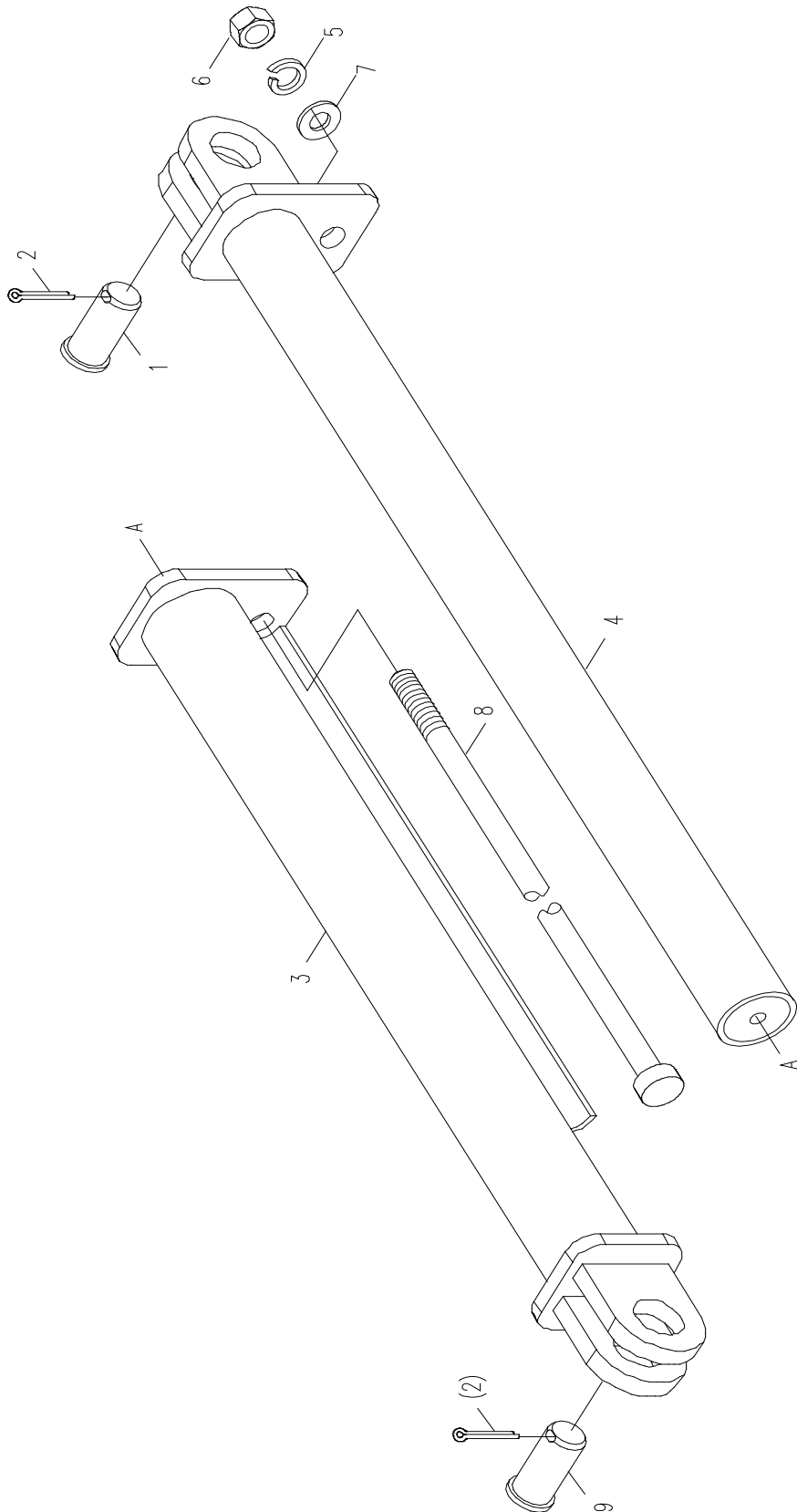
FRONT TILTING-BACK SUPPORT OF FIXED JIB
D0066330310060000Y



**FRONT TILTING-BACK SUPPORT OF FIXED JIB
D0066330310060000Y**

POS.	ITEM	DESCRIPTION & SPECIFICATION	QTY.	REMARKS
1	00663303100610000	Outer pipe	1	
2	00663303100601010	Spring	1	
3	00663303100620000	Inner pipe	1	
4	00663308000001020	Pin spindle	1	
5	1040500076	Cotter pin 8x60 GB/T91-2000	1	

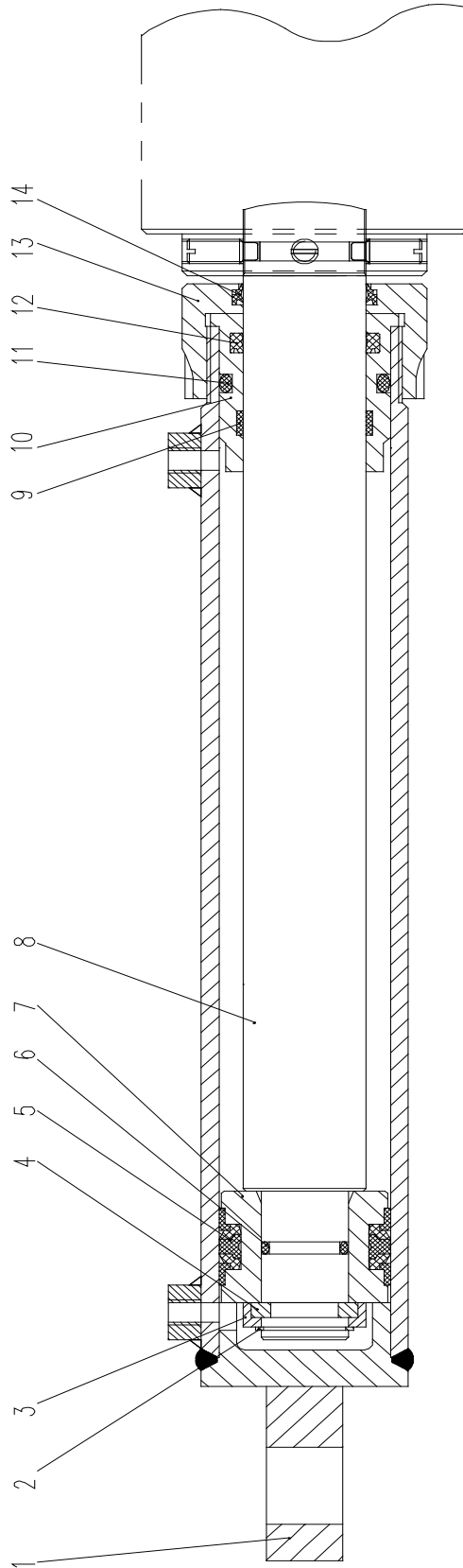
SUPPORTING ROD D0066330310140000Y



SUPPORTING ROD D0066330310140000Y

POS.	ITEM	DESCRIPTION & SPECIFICATION	QTY.	REMARKS
1	00663303101401011	Pin spindle	1	
2	1040500003	Cotter pin 2.5x30 GB/T91-2000	2	
3	00663303101410000	Outer pipe	1	
4	00663303101420000	Inner pipe	1	
5	1040300063	Washer 8 GB/T93-1987	1	
6	1040200192	Nut M8-8 GB/T6170-2000	1	
7	1040300066	Washer 8-200HV GB/T97.1-2002	1	
8	00663303101401020	Rod	1	
9	00663303101401031	Pin spindle	1	

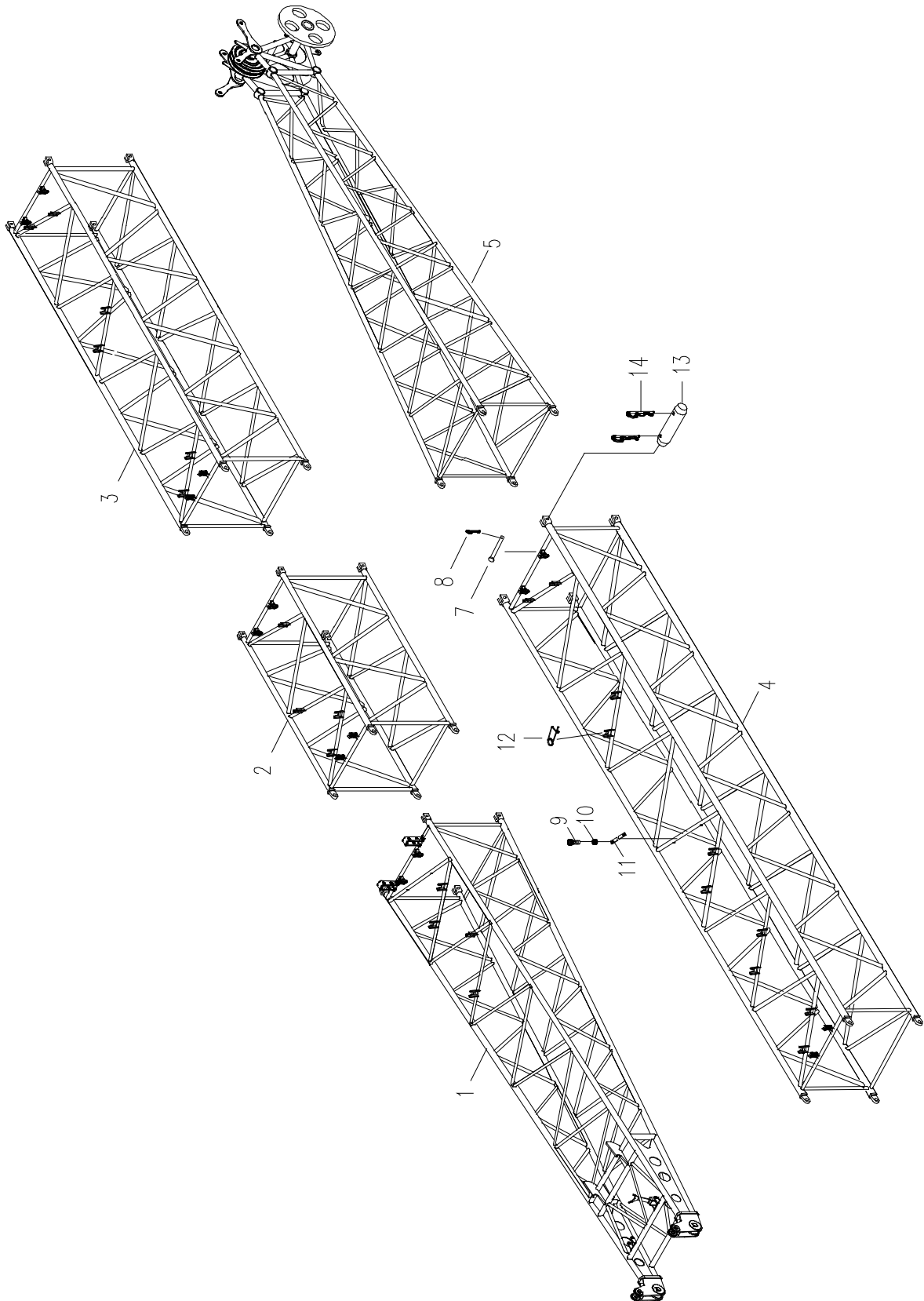
BOOM BOLTING CYLINDER D00663305300000000Y



BOOM BOLTING CYLINDER D00663305300000000Y

POS.	ITEM	DESCRIPTION & SPECIFICATION	QTY.	REMARKS
1	00663305300200000	Cylinder	1	
2	1040300153	Retaining ring 32 GB/T894.1-1986	1	
3	00663303200001030	Ring	1	
4	00663303200001040	Retaining ring	1	
5	1081000233	D-A-S Combination seal ring	1	
6	1081000052	O-ring 32x3.5 GB1235-1976	1	
7	00663305300001010	Piston	1	
8	00663305300001030	Piston rod	1	
9	1081400115	Supporting ring GR6900450-C380	1	
10	00663305300001020	Guide bush	1	
11	1081000027	O-ring 63x5.7 GB1235-1976	1	
12	1081000232	U-ring	1	
13	00663305300001040	Cap	1	
14	1081200014	Dust ring 45x53x6	1	

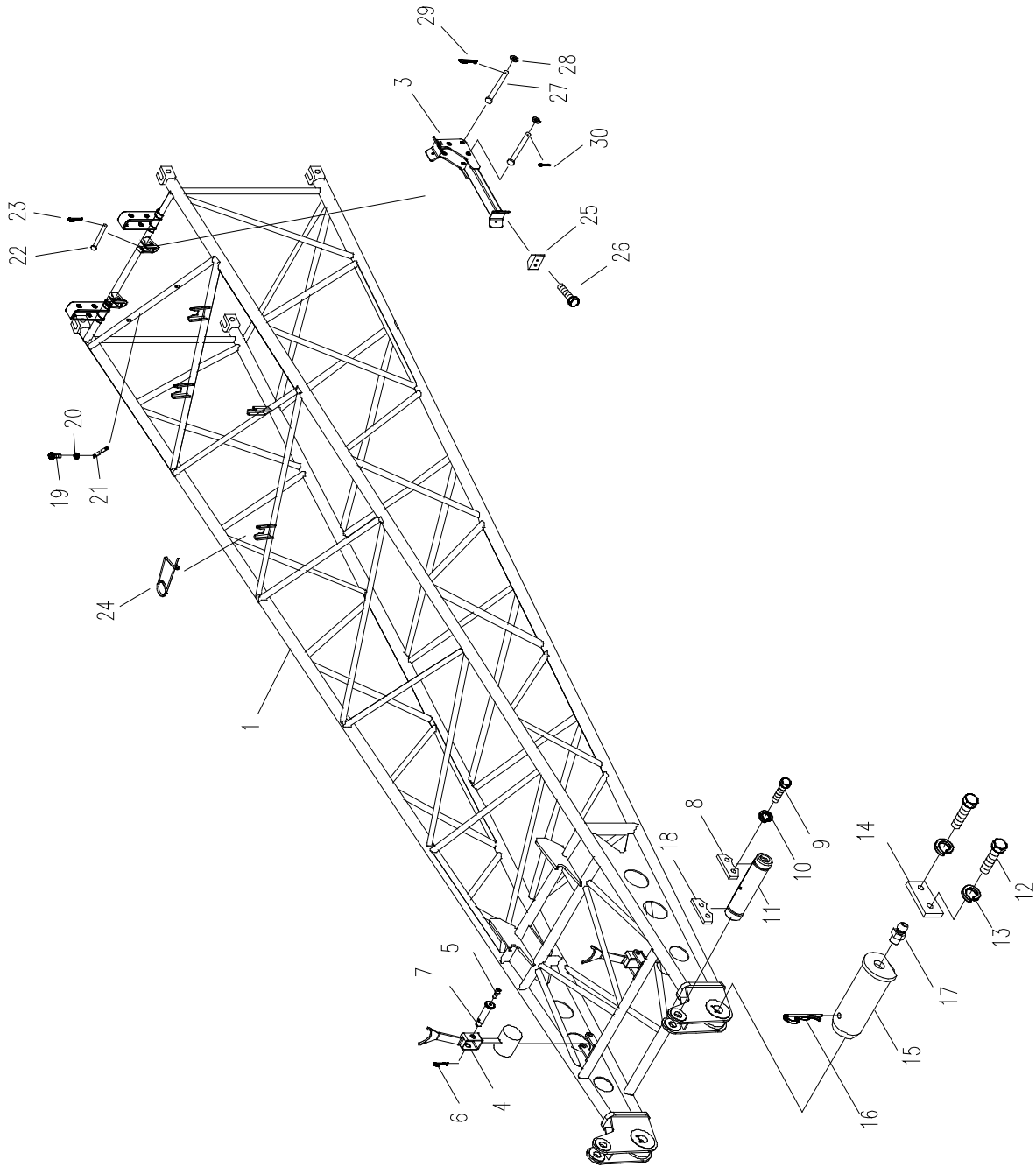
LUFFING JIB ASSY. D0066340663000000Y



LUFFING JIB ASSY. D0066340663000000Y

POS.	ITEM	DESCRIPTION & SPECIFICATION	QTY.	REMARKS
1	00663406630200000	Luffing jib pivot section assy.	1	
2	00663406630400000	3 m luffing jib intermediate section (7 mm)	1	
3	00663406630600000	6 m luffing jib intermediate section (7 mm)	2	
4	00663406630800000	9 m luffing jib intermediate section (7 mm)	1	
5	00663406631000000	Luffing jib head section assy.	1	
6	00663406631200000	9 m luffing jib intermediate section	2	
7	1040500066	Pin spindle B16x55 GB/T882-1986	24	
8	006340000032	Retaining spring (D16,18,20)	24	
9	1040000267	Bolt M8x20-8.8 GB/T5783-2000	30	
10	1040300094	Washer 8-140HV GB/T96.1-2002	30	
11	00663300200001080	Nylon plate	14	
12	00663600100001040	Retaining spring	60	
13	00663406600001011	Pin spindle	28	
14	00663300100001230	Retaining spring	56	
15	00663406631400000	3 m luffing jib intermediate section (7 mm) attachments assembly	1	E
16	00663406631600000	6 m luffing jib intermediate section (7 mm) attachments assembly	2	E
17	00663406631800000	9 m luffing jib intermediate section (7 mm) attachments assembly	1	E
18	00663406632000000	9 m luffing jib intermediate section attachments assembly	2	E

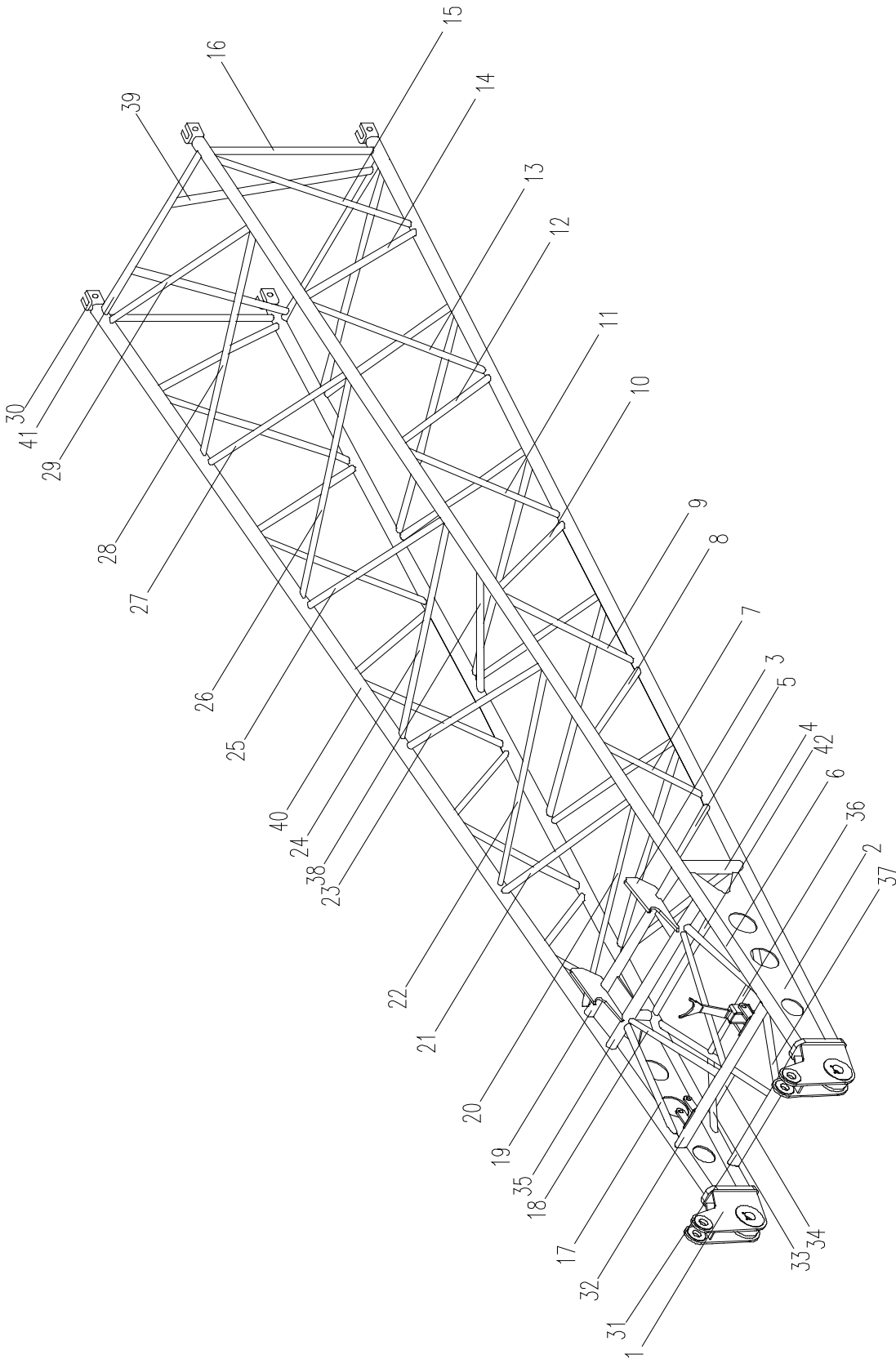
LUFFING JIB PIVOT SECTION ASSY. D0066340663020000Y



LUFFING JIB PIVOT SECTION ASSY. D0066340663020000Y

POS.	ITEM	DESCRIPTION & SPECIFICATION	QTY.	REMARKS
1	00663406630210000	Luffing jib pivot section welded	1	
2	00663406630220000	Luffing jib pivot section attachments	1	E
3	00663406630230010	Support	2	
4	00663306601800000	Swing hammer	2	
5	1040100182	Screw M12 GB/T825-1988	2	
6	006340000029	Retaining spring (D30,32,35)	2	
7	00663306600001060	Pin spindle	2	
8	00663306600001071	Retaining plate	2	
9	1040000094	Bolt M12x35-8.8 GB/T5783-2000	16	
10	1040300054	Washer 12 GB/T93-1987	16	
11	00663406600001031	Shaft	2	
12	1040000177	Bolt M16x55-8.8 GB/T5783-2000	4	
13	1040300065	Washer 16 GB/T93-1987	4	
14	00663300200001071	Retaining plate	2	
15	00663406600001051	Shaft	2	
16	00663300200001040	Retaining spring	2	
17	1080000002	Oil cup M10x1 GB1152-1989	4	
18	00663106600001021	Retaining plate	2	
19	1040300094	Washer 8-140HV GB/T96.1-2002	2	
20	1040000267	Bolt M8x20-8.8 GB/T5783-2000	2	
21	00663300200001080	Nylon plate	1	
22	1040500066	Pin spindle B16x55 GB/T882-1986	2	
23	006340000032	Retaining spring (D16,18,20)	2	
24	00663600100001040	Retaining spring	6	
25	00663406630231010	Nylon cushion block	2	
26	1040100087	Screw M12x25-8.8 GB/T70.1-2000	4	
27	00663406630231020	Pin spindle	4	
28	1040300074	Washer 30-200HV GB/T97.1-2002	4	
29	006340000025	Retaining spring (D6, 8)	2	
30	1040500079	Cotter pin 6.3x60 GB/T91-2000	2	

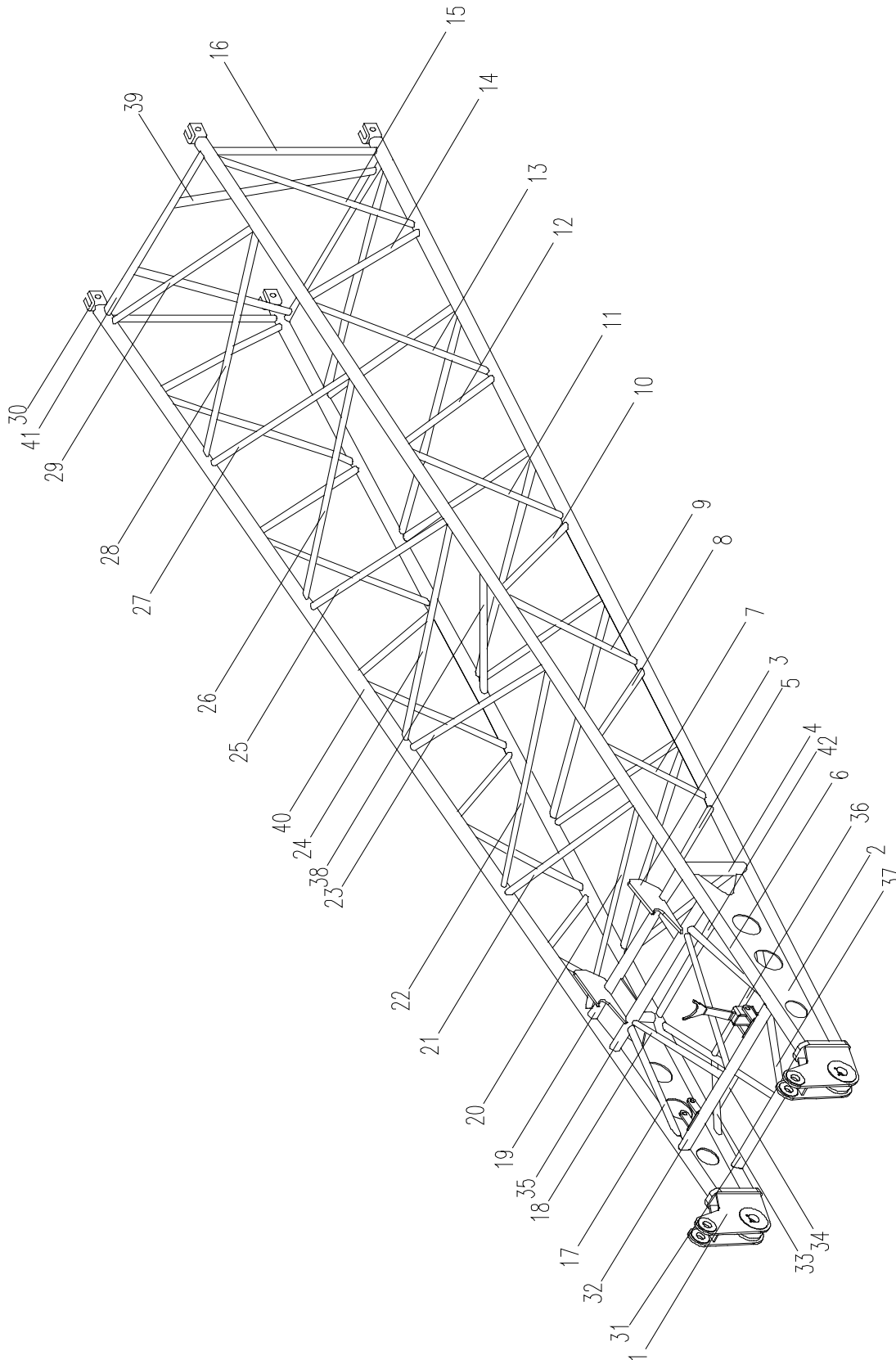
LUFFING JIB PIVOT SECTION WELDED D00663406630210000Y



LUFFING JIB PIVOT SECTION WELDED D00663406630210000Y

POS.	ITEM	DESCRIPTION & SPECIFICATION	QTY.	REMARKS
1	00663406600210001	Forking fitting	2	
2	00663406600201010	Reinforcing plate	2	
3	00663306600201680	Plate	2	
4	00663406600201020	Pipe	2	
5	00663406600201030	Web member	2	
6	00663406620201010	Chord member	2	
7	00663406600201050	Web member	2	
8	00663406600201060	Web member	2	
9	00663406600201070	Web member	2	
10	00663406600201080	Web member	2	
11	00663406600201090	Web member	2	
12	00663406600201100	Web member	2	
13	00663406600201110	Web member	2	
14	00663406600201120	Web member	2	
15	00663406600201130	Web member	2	
16	00663406600201140	Web member	2	
17	00663406600201430	Pipe	2	
18	00663406600201440	Pipe	2	
19	00663406600201450	Pipe	1	
20	00663406600201190	Web member	2	
21	00663406600201200	Web member	2	
22	00663406600201210	Web member	2	
23	00663406600201220	Web member	2	
24	00663406600201230	Web member	2	
25	00663406600201240	Web member	2	
26	00663406600201250	Web member	2	
27	00663406600201260	Web member	2	
28	00663406600201270	Web member	2	
29	00663406600201280	Web member	2	
30	1992000036	Double hinge lug	4	
31	00663406600201460	Pipe	1	
32	00663406600201470	Pipe	1	
33	00663406600201480	Pipe	2	
34	00663406600201490	Pipe	2	

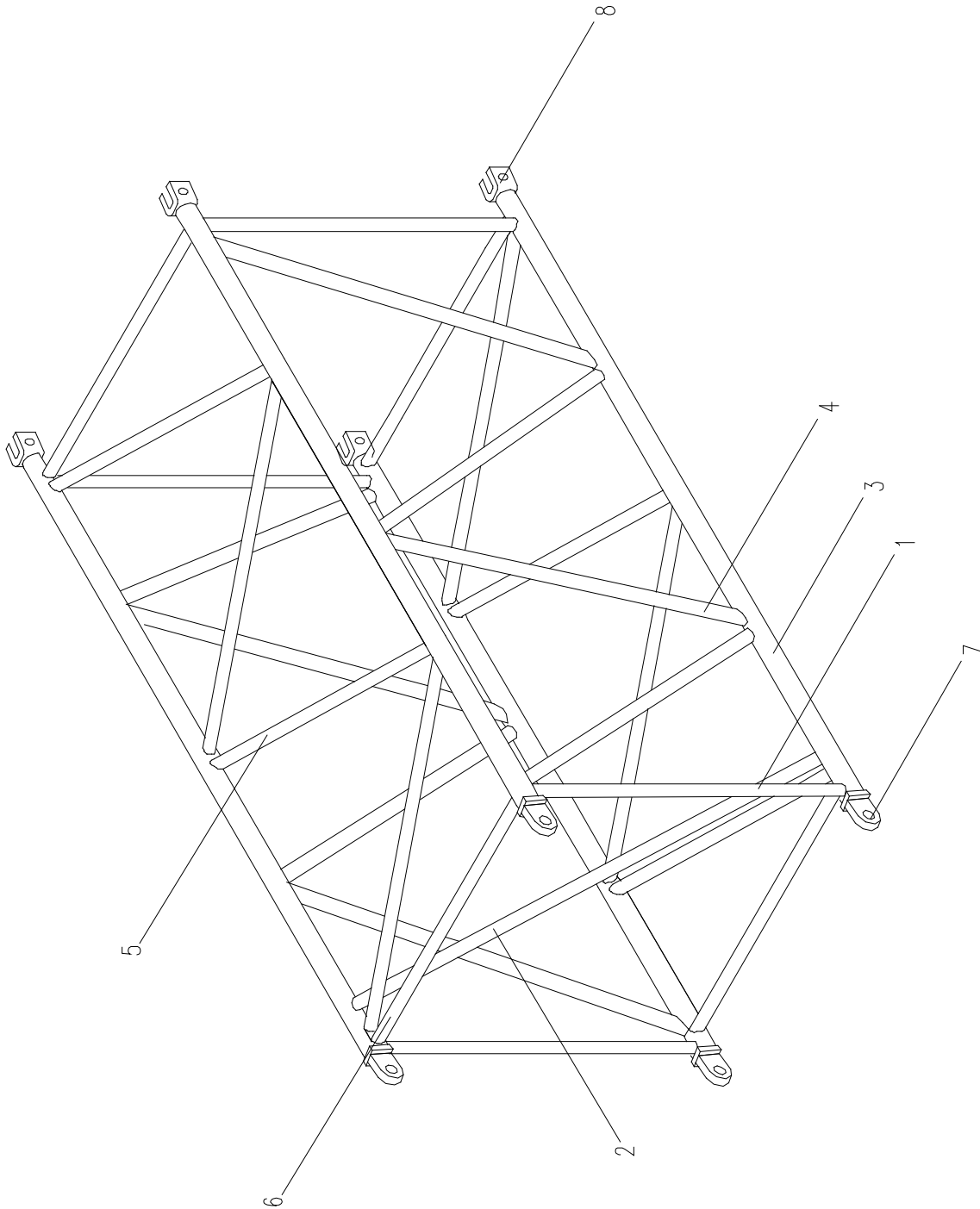
LUFFING JIB PIVOT SECTION WELDED D00663406630210000Y



LUFFING JIB PIVOT SECTION WELDED D00663406630210000Y

POS.	ITEM	DESCRIPTION & SPECIFICATION	QTY.	REMARKS
35	00663406600201500	Pipe	1	
36	00663406600201520	Pipe	1	
37	00663406600201530	Pipe	2	
38	00663406600201350	Diagonal link	1	
39	00663406600201540	Pipe	2	
40	00663406620201020	Chord member	2	
41	00663406600201380	Web member	2	
42	00663406620201040	Pipe	1	

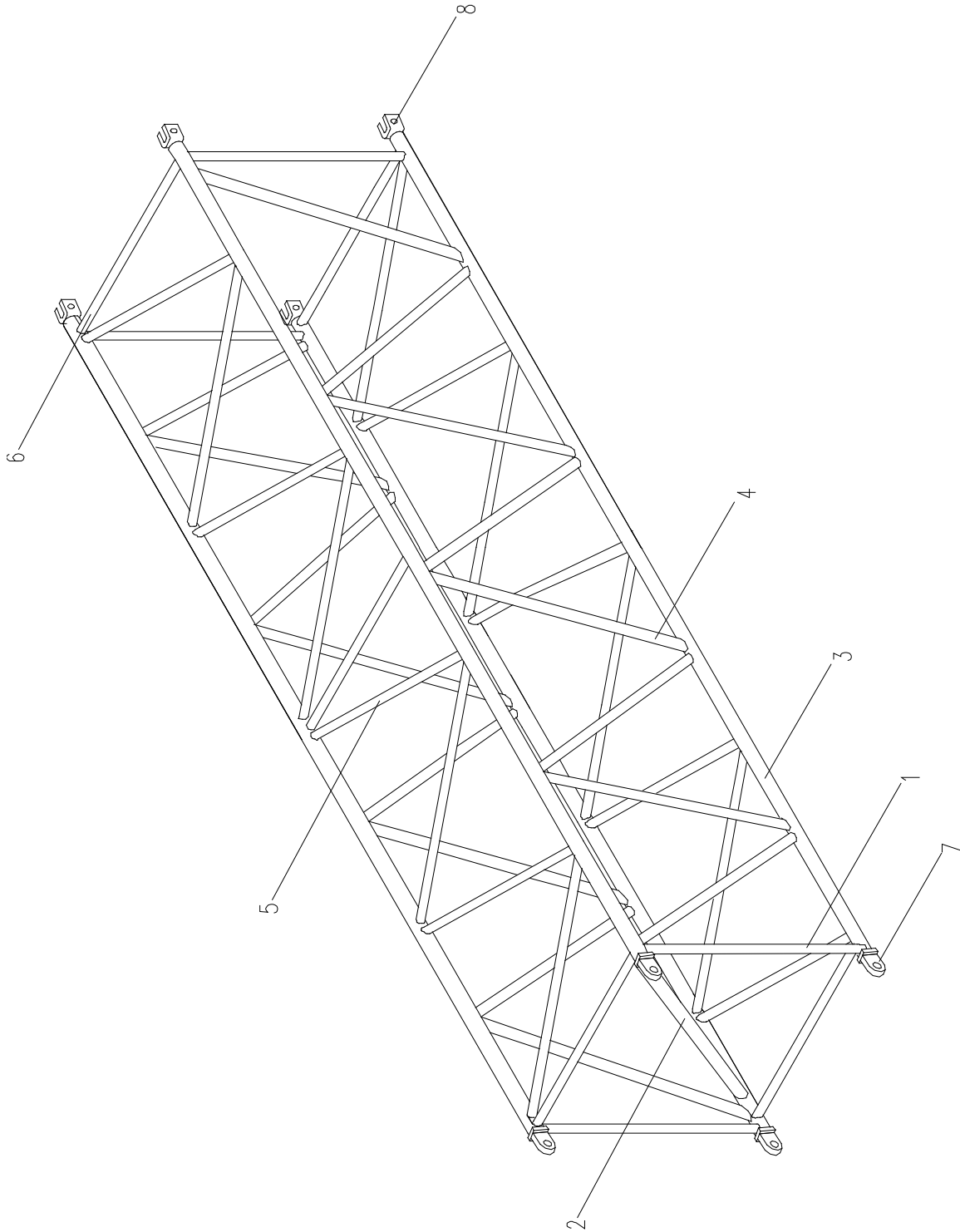
**3 M LUFFING JIB INTERMEDIATE SECTION (7 mm)
D0066340663040000Y**



3 M LUFFING JIB INTERMEDIATE SECTION (7 mm)**D00663406630400000Y**

POS.	ITEM	DESCRIPTION & SPECIFICATION	QTY.	REMARKS
1	00663406600601010	Web member	4	
2	00663406600601020	Diagonal link	1	
3	00663406620401010	Chord member	4	
4	00663406600601040	Web member	8	
5	00663406600601050	Web member	8	
6	00663406600601060	Web member	4	
7	1992000035	Single hinge lug	4	
8	1992000036	Double hinge lug	4	

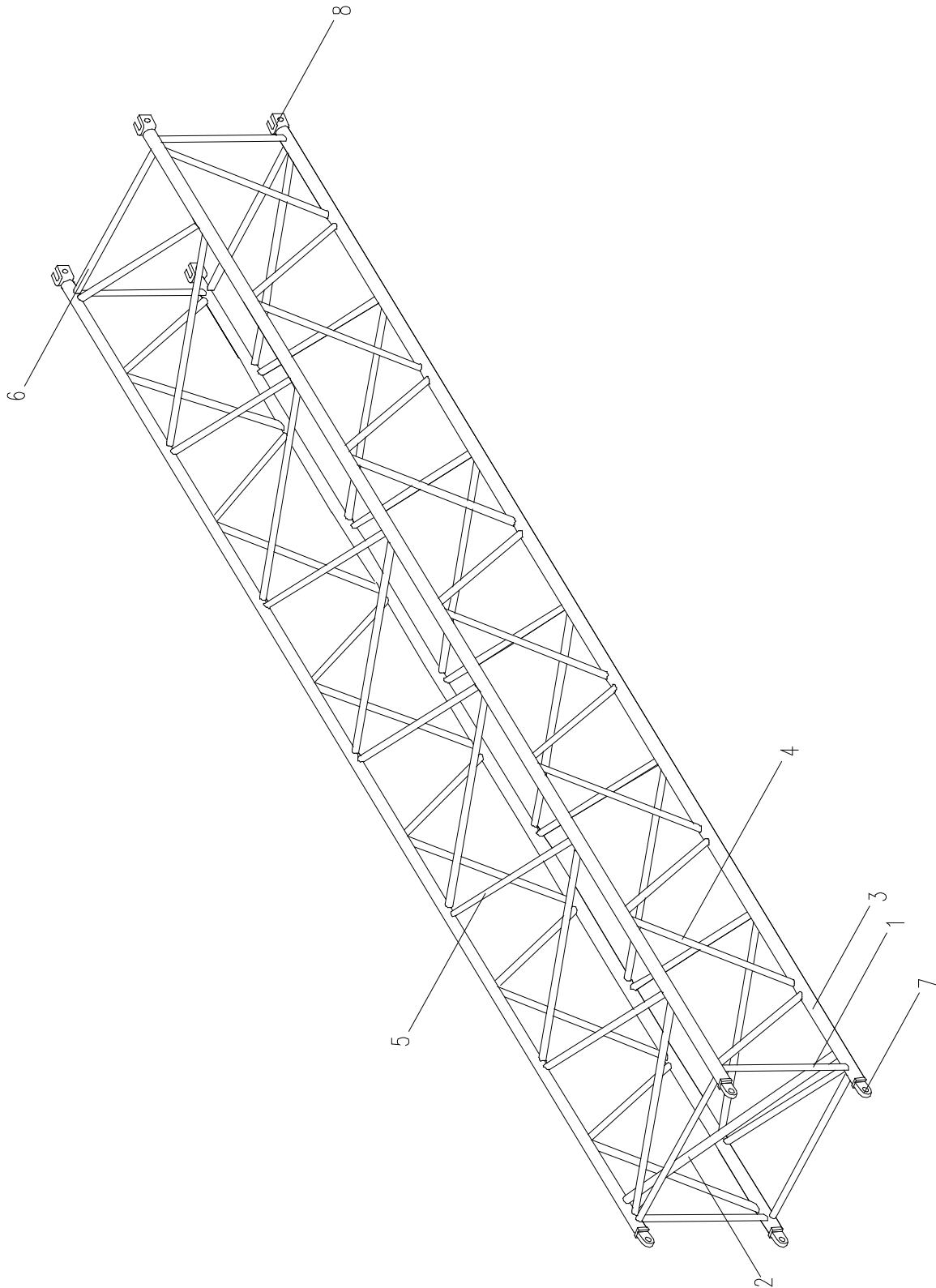
**6 M LUFFING JIB INTERMEDIATE SECTION (7 mm)
D0066340663060000Y**



6 M LUFFING JIB INTERMEDIATE SECTION (7 mm)**D0066340663060000Y**

POS.	ITEM	DESCRIPTION & SPECIFICATION	QTY.	REMARKS
1	00663406600601010	Web member	4	
2	00663406600601020	Diagonal link	1	
3	00663406620601010	Chord member	4	
4	00663406600801020	Web member	16	
5	00663406600801030	Web member	16	
6	00663406600601060	Web member	4	
7	1992000035	Single hinge lug	4	
8	1992000036	Double hinge lug	4	

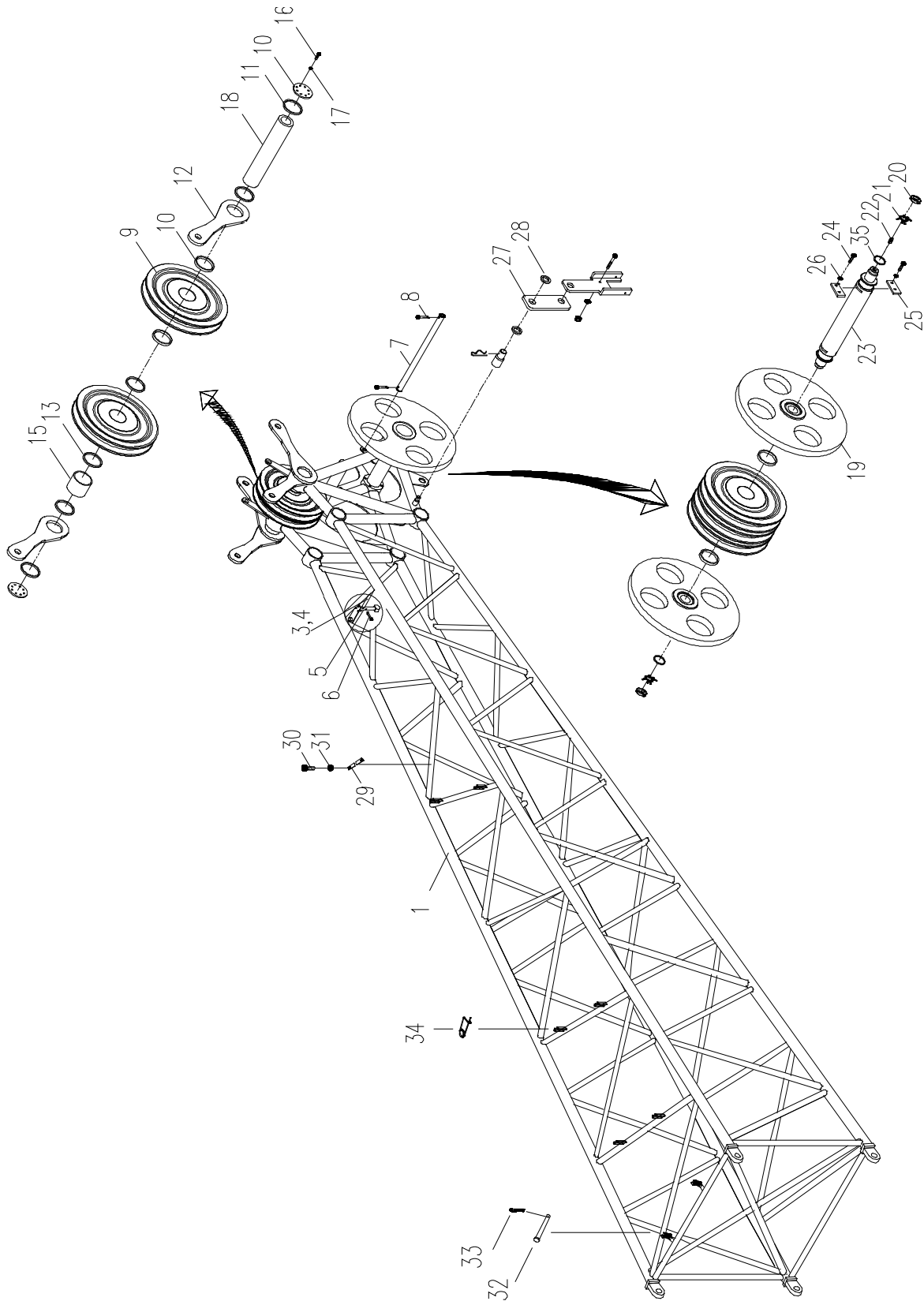
**9 M LUFFING JIB INTERMEDIATE SECTION (7 mm)
D0066340663080000Y**



9 M LUFFING JIB INTERMEDIATE SECTION (7 mm)**D0066340663080000Y**

POS.	ITEM	DESCRIPTION & SPECIFICATION	QTY.	REMARKS
1	00663406600601010	Web member	4	
2	00663406600601020	Diagonal link	1	
3	00663406620801010	Chord member	4	
4	00663406600801020	Web member	24	
5	00663406600801030	Web member	24	
6	00663406600601060	Web member	4	
7	1992000035	Single hinge lug	4	
8	1992000036	Double hinge lug	4	

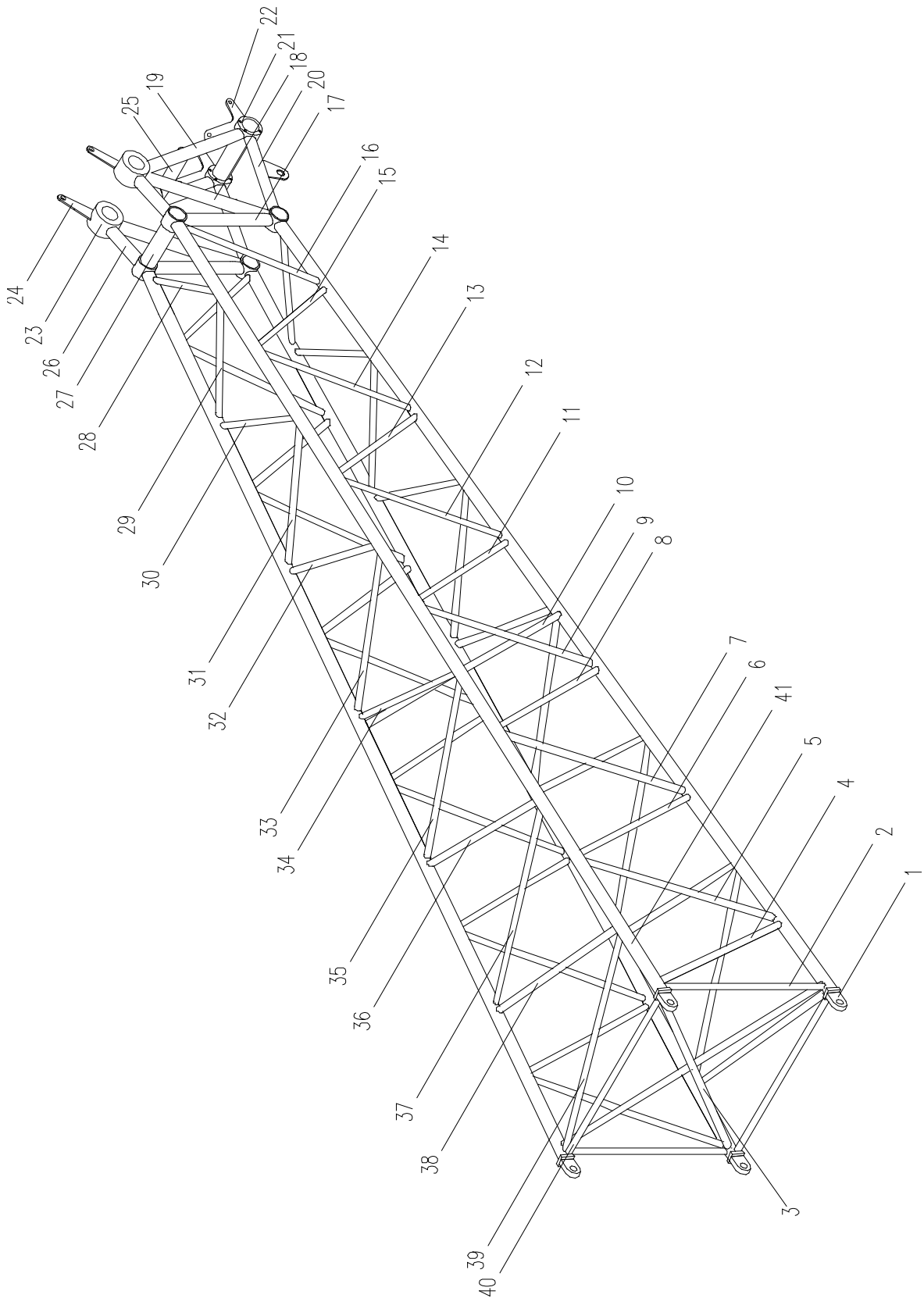
LUFFING JIB HEAD SECTION ASSY. D0066340663100000Y



LUFFING JIB HEAD SECTION ASSY. D0066340663100000Y

POS.	ITEM	DESCRIPTION & SPECIFICATION	QTY.	REMARKS
1	00663406631010000	Luffing jib head section welded	1	
2	00663406631020000	Luffing jib head section attachments welded	1	
3	00663606600401050	Rod	1	
4	1040500353	Retaining spring (D30,32,35)	1	
5	00662000104400000	Assembly of wind gauge bracket	1	
6	1040500126	Cotter pin 5x26 GB/T91-2000	1	
7	00663306601001110	Pipe	3	
8	1040500057	Cotter pin 5x50 GB/T91-2000	6	
9	00663302100200002	Pulley assy.	5	
10	00663306601001130	Plate	2	
11	00663300100001010	Spacing sleeve	4	
12	00663407900001110	Anchoring rod	2	
13	00663406600401110	Spacing sleeve	5	
15	00663110100201030	Spacing sleeve	1	
16	1040000090	Bolt M10x30-8.8 GB/T5783-2000	16	
17	1040300067	Washer 10 GB/T93-1987	16	
18	00663306601001120	Shaft	1	
19	00663300200620001	Running wheel assembly	2	
20	1040200185	Bolt M60x2 GB/T812-1988	2	
21	1040300087	Washer 60 GB/T858-1988	2	
22	1080000002	Oil cup M10x1 GB1152-1989	2	
23	00663406600401130	Shaft	1	
24	1040000065	Bolt M16x45-8.8 GB/T5783-2000	8	
25	006340000056	Retaining plate 120	4	
26	1040300065	Washer 16 GB/T93-1987	8	
27	00663816400240000	Hoisting limit switch	1	
28	00663300200601020	Washer	2	
29	00663300200001080	Nylon plate	2	
30	1040000267	Bolt M8x20-8.8 GB/T5783-2000	4	
31	1040300094	Washer 8-140HV GB/T96.1-2002	4	
32	1040500066	Pin spindle B16x55 GB/T882-1986	2	
33	006340000032	Retaining spring(D16,18,20)	2	
34	00663600100001040	Retaining spring	8	

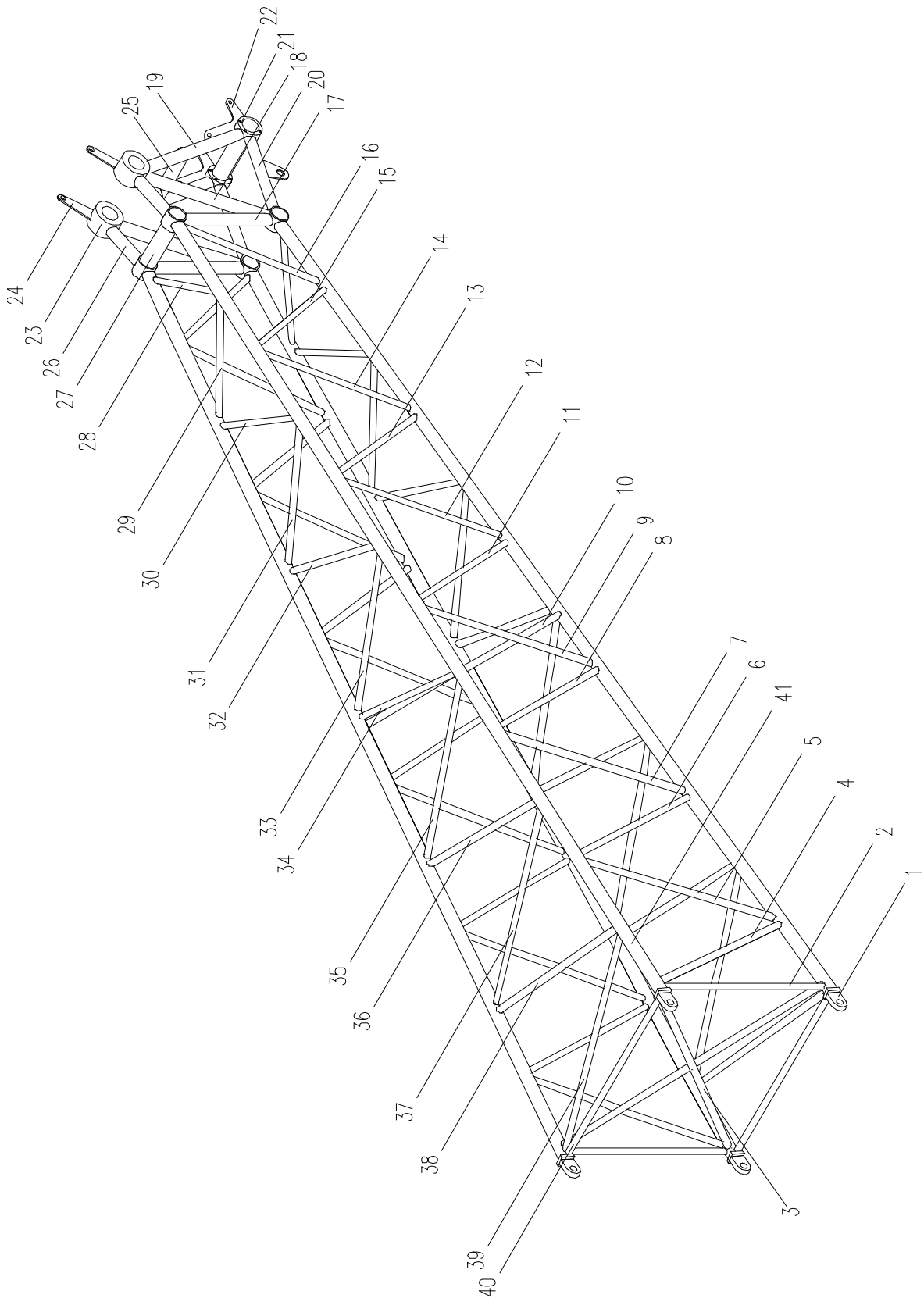
LUFFING JIB HEAD SECTION WELDED D00663406631010000Y



LUFFING JIB HEAD SECTION WELDED D00663406631010000Y

POS.	ITEM	DESCRIPTION & SPECIFICATION	QTY.	REMARKS
1	1992000015	Single hinge lug	4	
2	00663406600421010	Web member	2	
3	00663406600421020	Diagonal link	1	
4	00663406600421030	Web member	2	
5	00663406600421040	Web member	2	
6	00663406600421050	Web member	2	
7	00663406600421060	Web member	2	
8	00663406600421070	Web member	2	
9	00663406600421080	Web member	2	
10	00663406600421090	Web member	1	
11	00663406600421100	Web member	2	
12	00663406600421110	Web member	2	
13	00663406600421120	Web member	2	
14	00663406600421130	Web member	2	
15	00663406600421140	Web member	2	
16	00663406600421150	Web member	2	
17	00663406600421160	Pipe	2	
18	00663406600421170	Pipe	2	
19	00663406600421180	Pipe	2	
20	00663406600421190	Pipe	2	
21	00663406600411290	Shaft sleeve	2	
22	00663406600421200	Plate	2	
23	00663406600421220	Shaft sleeve	2	
24	00663406600411300	Plate	2	
25	00663406600421230	Pipe	1	
26	00663406600421240	Pipe	2	
27	00663306601021240	Pipe © 139.7×10	2	
28	00663406600421250	Web member	2	
29	00663406600421260	Web member	2	
30	00663406600421270	Web member	2	
31	00663406600421280	Web member	2	
32	00663406600421290	Web member	2	
33	00663406600421300	Web member	2	
34	00663406600421310	Web member	2	

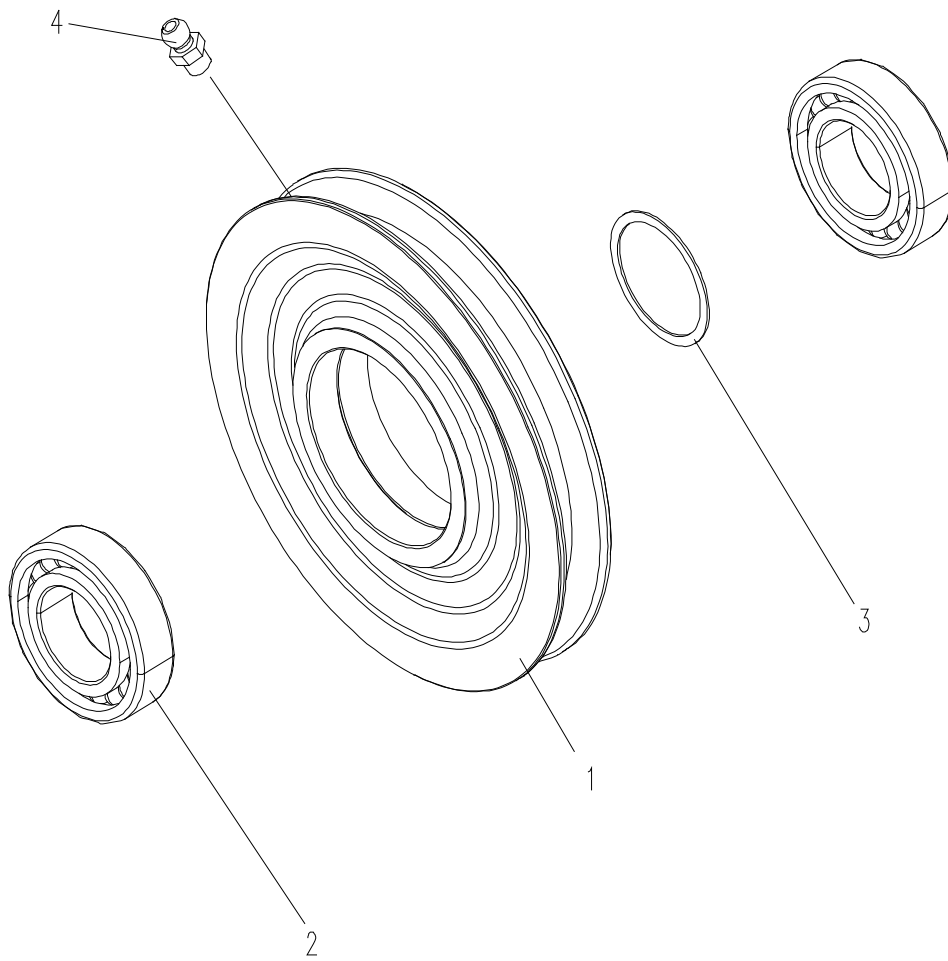
LUFFING JIB HEAD SECTION WELDED D00663406631010000Y



LUFFING JIB HEAD SECTION WELDED D00663406631010000Y

POS.	ITEM	DESCRIPTION & SPECIFICATION	QTY.	REMARKS
35	00663406600421320	Web member	2	
36	00663406600421330	Web member	2	
37	00663406600421340	Web member	2	
38	00663406600421350	Web member	2	
39	00663406600421360	Web member	2	
40	00663406600421370	Web member	2	
41	00663406600421380	Chord member	4	

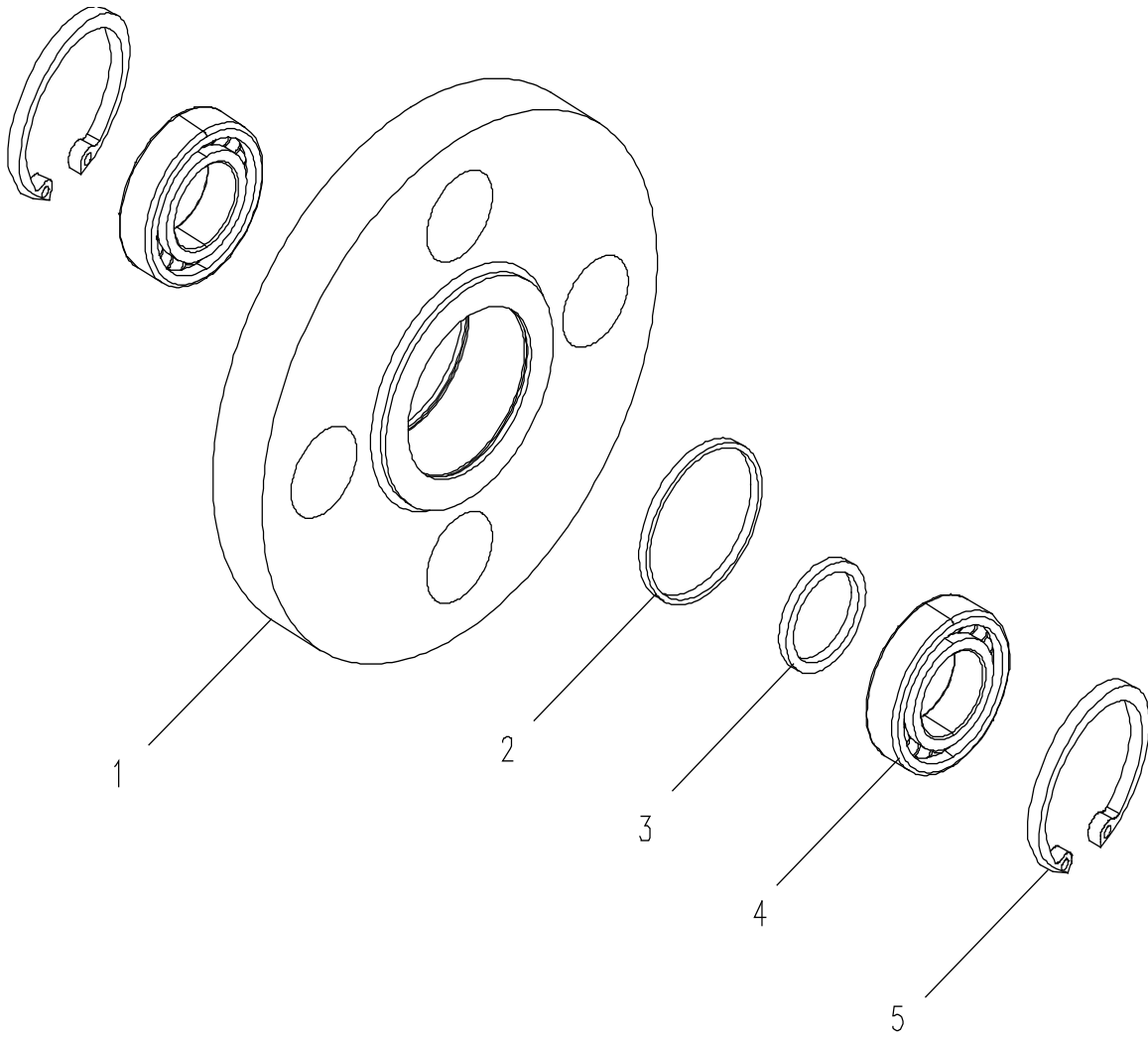
PULLEY ASSY. D00663302100200002Y



PULLEY ASSY. D00663302100200002Y

POS.	ITEM	DESCRIPTION & SPECIFICATION	QTY.	REMARKS
1	00663302100201012	Pulley	1	
2	1050200085	Rolling bearing 6224-Z GB/T276-1994	2	
3	00663300100001011	Spacing sleeve	1	
4	1080000001	Oil cup M10×1 GB1152-1979	2	
5	204110014	Lithium base grease	1	

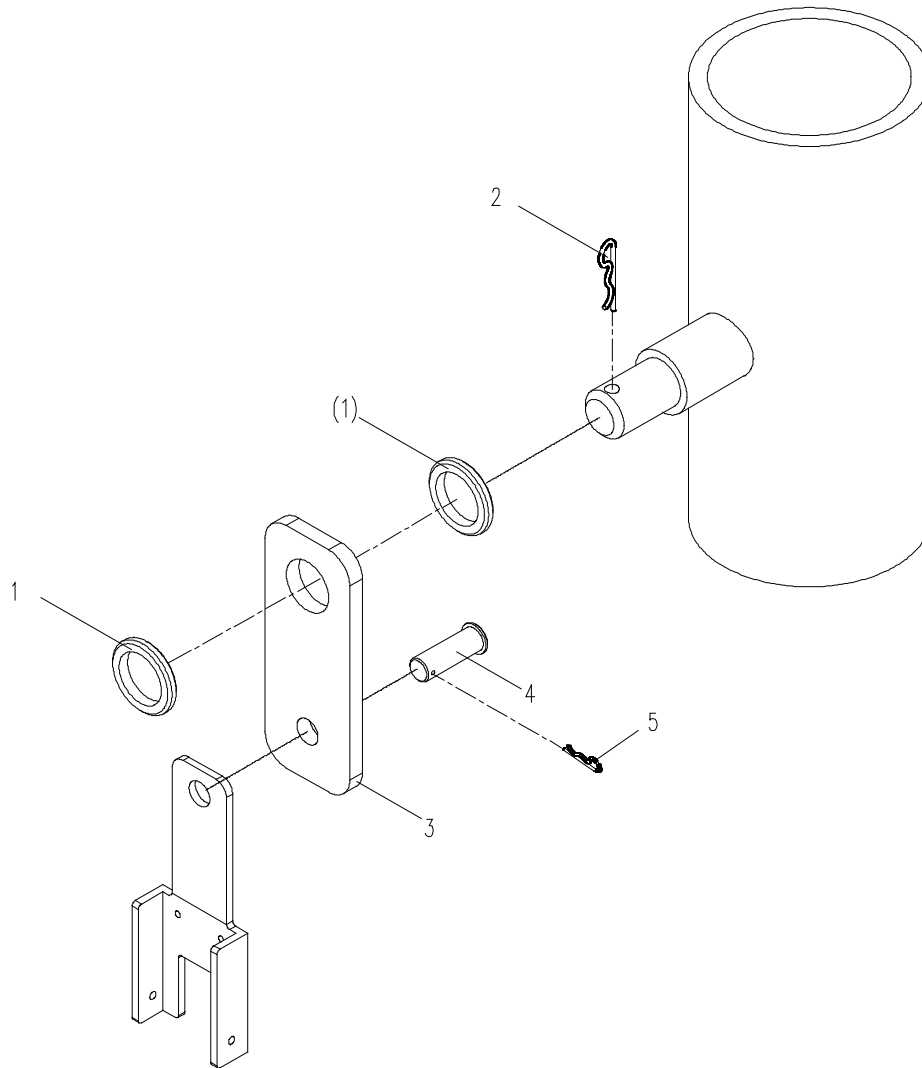
RUNNING WHEEL ASSEMBLY D00663300200620001Y



RUNNING WHEEL ASSEMBLY D00663300200620001Y

POS.	ITEM	DESCRIPTION & SPECIFICATION	QTY.	REMARKS
1	00663300200621011	Running wheel	1	
2	00663300200621022	Spacing sleeve	1	
3	00663300200621032	Spacing sleeve	1	
4	1050200087	Rolling bearing	2	
5	1040300181	Retaining ring	2	

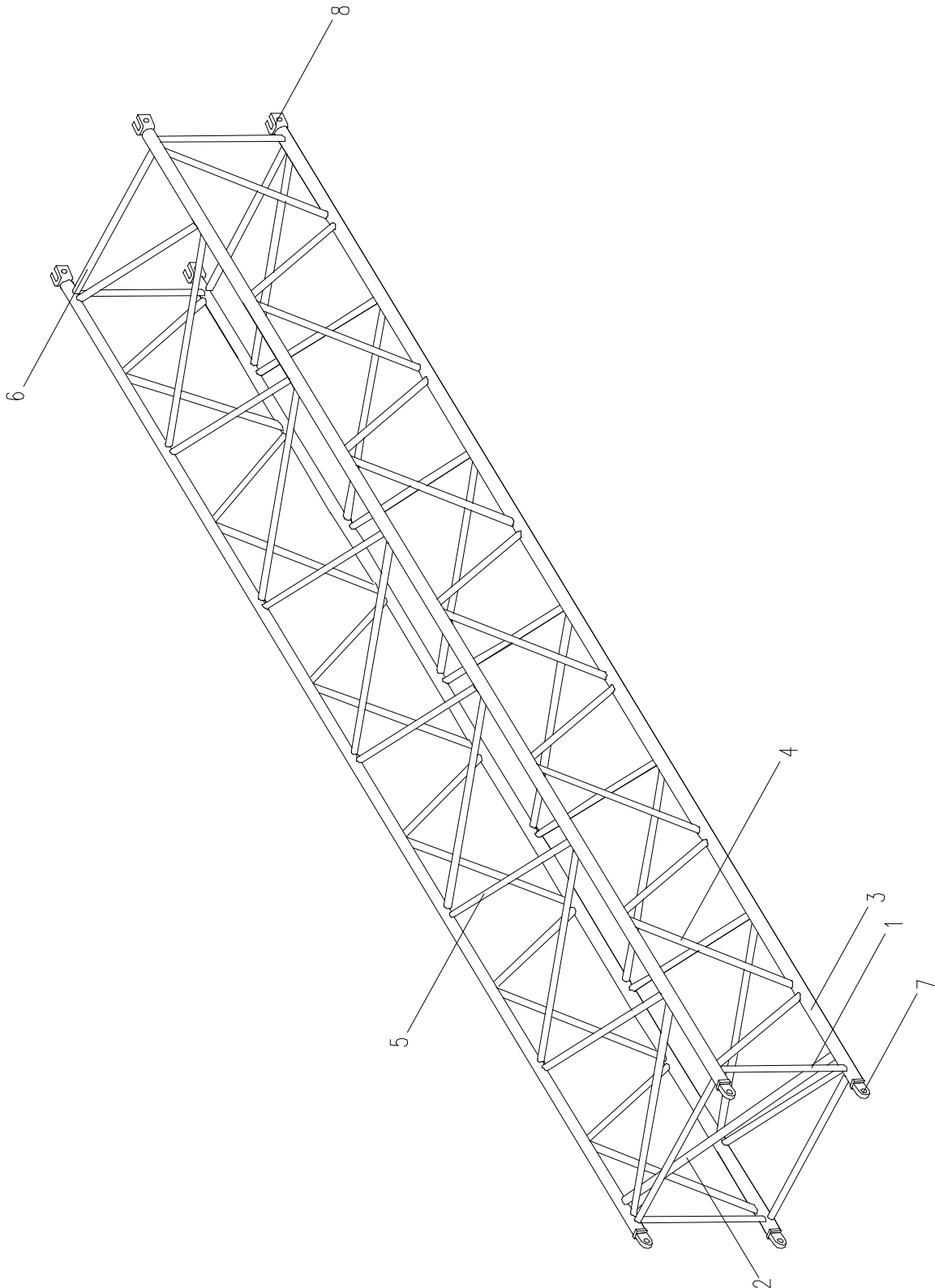
ASSEMBLY OF HOISTING LIMIT SWITCH D00663816400240000Y



ASSEMBLY OF HOISTING LIMIT SWITCH D00663816400240000Y

POS.	ITEM	DESCRIPTION & SPECIFICATION	QTY.	REMARKS
1	00663200102401010	Pad	2	
2	006340000032	Retaining spring	1	
3	00663050100401020	Support	1	
4	1040500106	Pin spindle	1	
5	006340000035	Retaining spring	1	

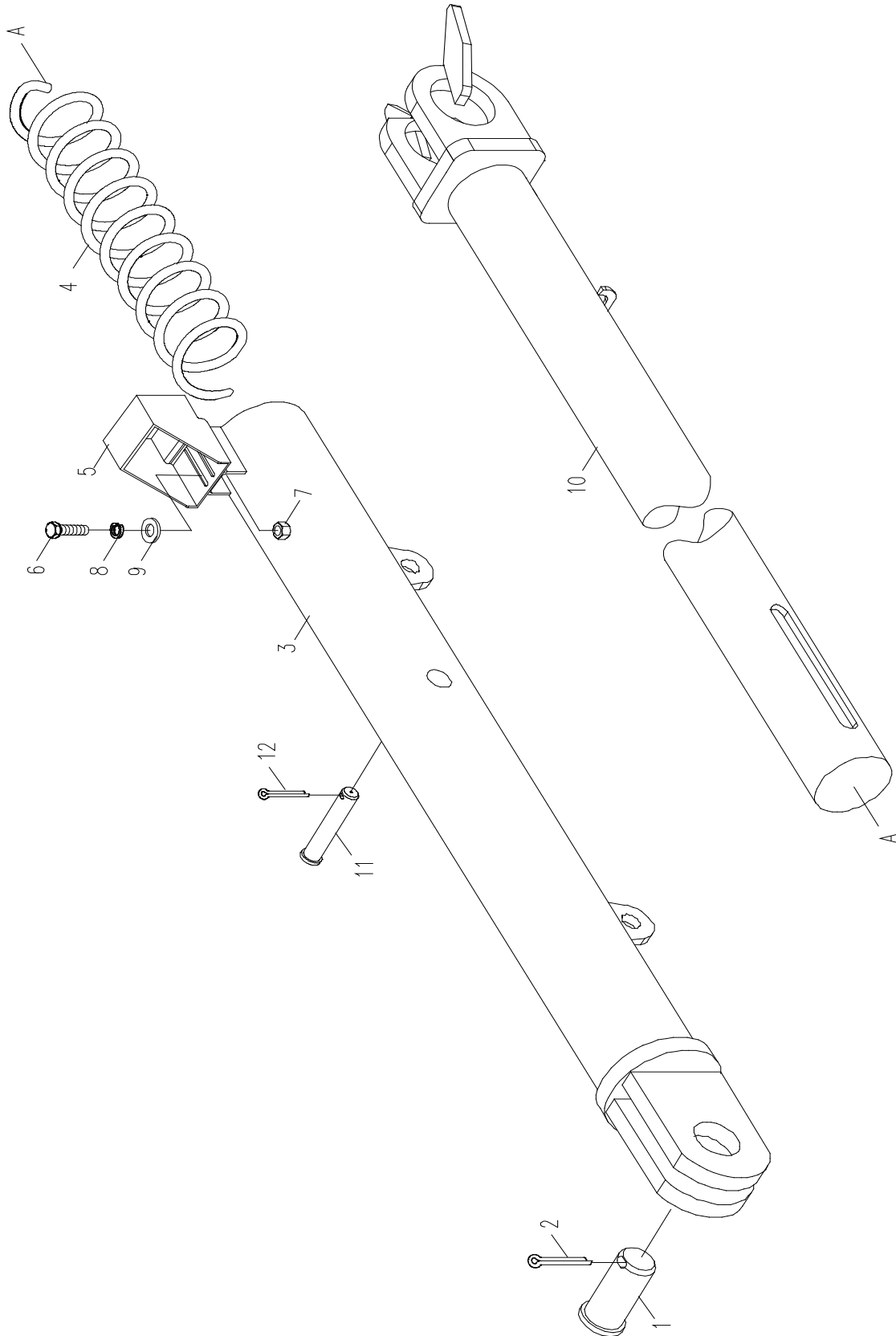
9 M LUFFING JIB INTERMEDIATE SECTION D00663406631200000Y



9 M LUFFING JIB INTERMEDIATE SECTION D00663406631200000Y

POS.	ITEM	DESCRIPTION & SPECIFICATION	QTY.	REMARKS
1	00663406600601010	Web member	4	
2	00663406600601020	Diagonal link	1	
3	00663406601001010	Chord member	4	
4	00663406600801020	Web member	24	
5	00663406600801030	Web member	24	
6	00663406600601060	Web member	4	
7	1992000015	Single hinge lug	4	
8	1992000032	Double hinge lug	4	

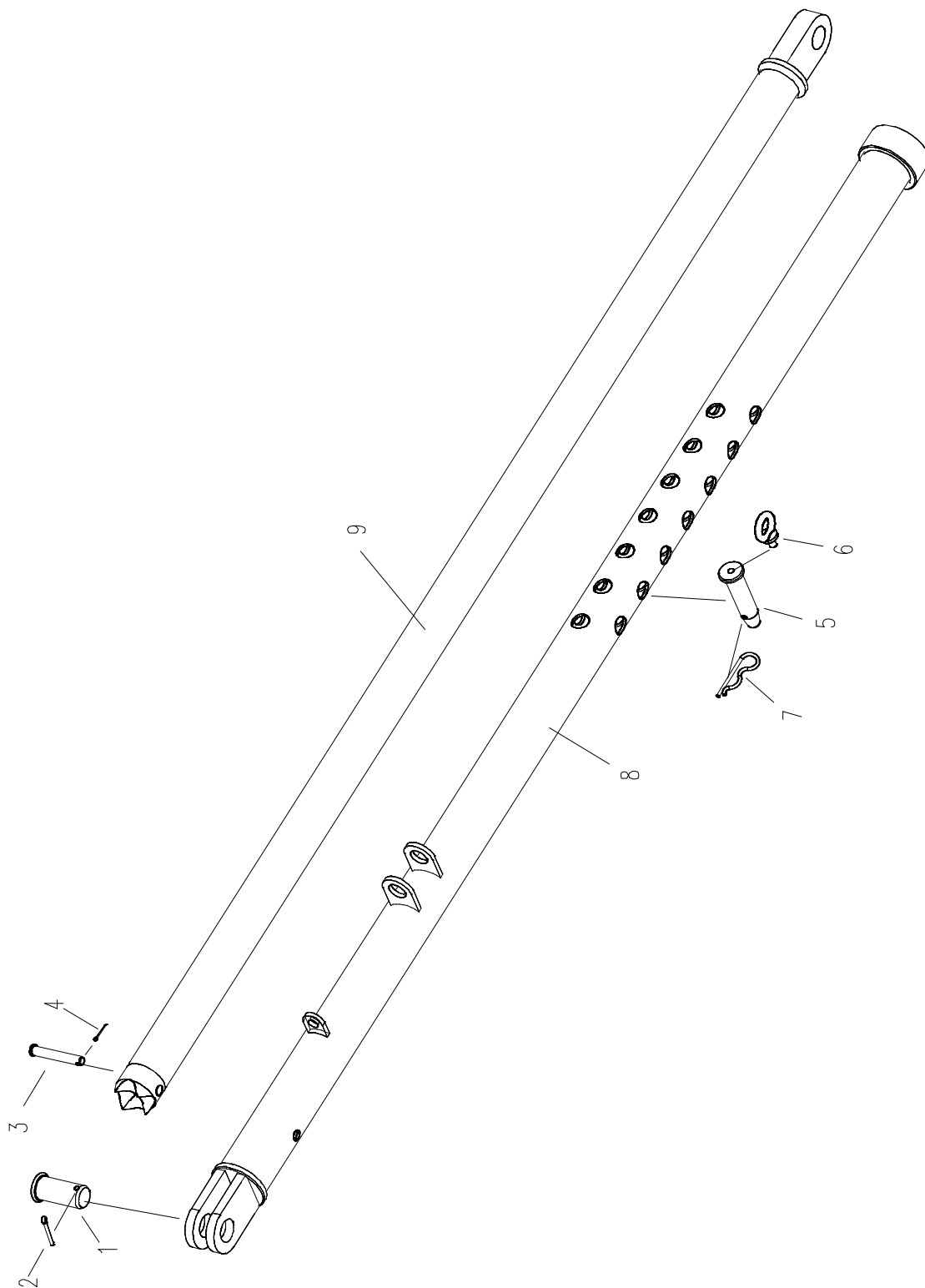
TILTING-BACK SUPPORT OF LUFFING JIB D00663403101200003Y



TILTING-BACK SUPPORT OF LUFFING JIB D00663403101200003Y

POS.	ITEM	DESCRIPTION & SPECIFICATION	QTY.	REMARKS
1	00663303101201020	Pin spindle	1	
2	1040500178	Cotter pin 10x80 GB/T91-2000	1	
3	00663303101210003	Outer pipe	1	
4	00663303101201030	Spring	1	
5	00663403101020000	Bracket of tilting-back support detector	1	
6	1040000267	Bolt M8x20-8.8 GB/T5783-2000	2	
7	1040200192	Nut M8-8 GB/T6170-2000	2	
8	1040300063	Washer 8 GB/T93-1987	2	
9	1040300066	Washer 8-200HV GB/T97.1-2002	2	
10	00663403101210002	Inner pipe	1	
11	1040500036	Pin spindle B20x120 GB/T882-1986	1	
12	1040500077	Cotter pin 5x30 GB/T91-2000	1	

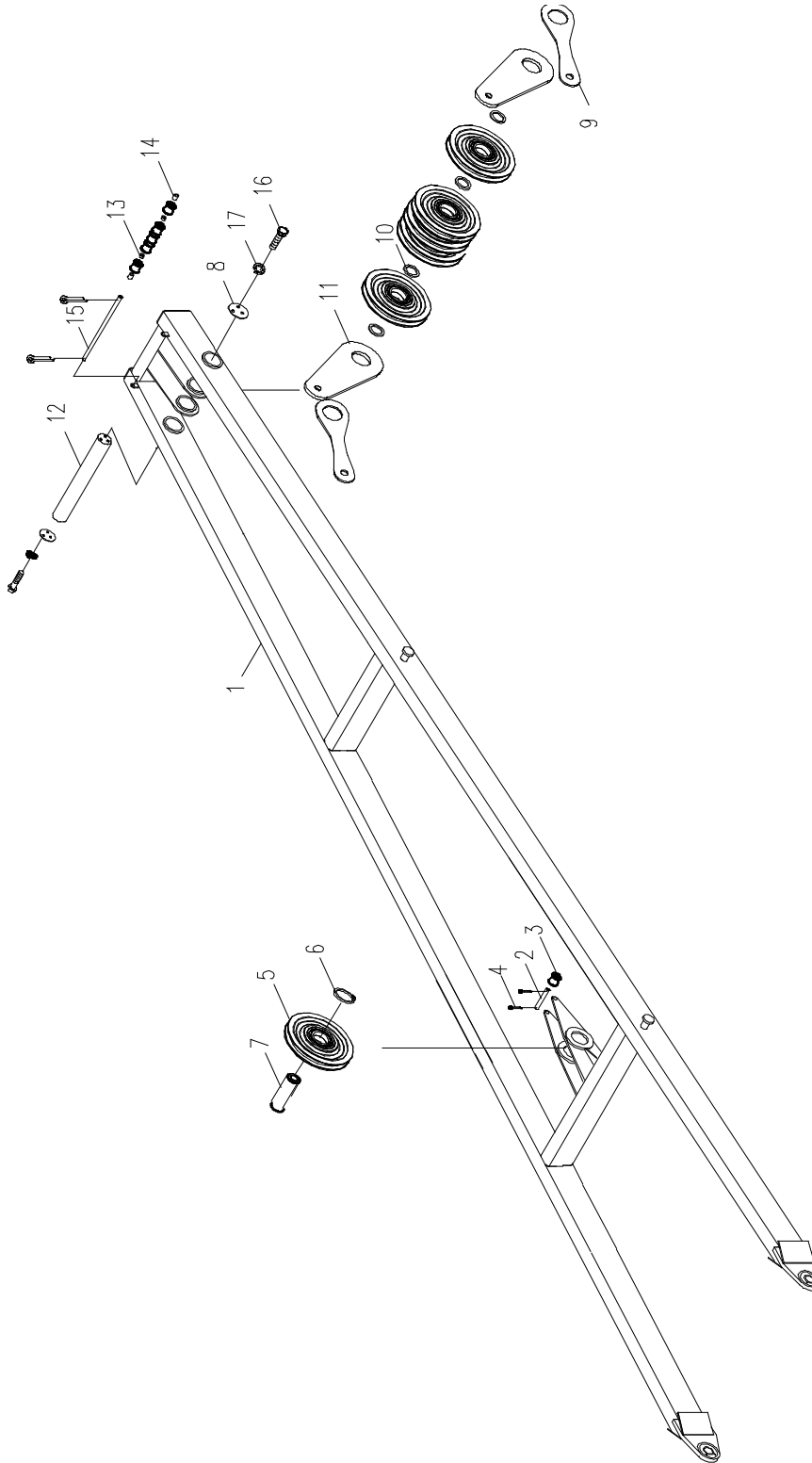
REAR TILTING-BACK SUPPORT OF LUFFING JIB
D00663403120400000Y



**REAR TILTING-BACK SUPPORT OF LUFFING JIB
D0066340312040000Y**

POS.	ITEM	DESCRIPTION & SPECIFICATION	QTY.	REMARKS
1	1040500136	Pin spindle B40x85 GB/T882-1986	1	
2	1040500040	Cotter pin 6.3x50 GB/T91-2000	1	
3	1040500180	Pin spindle B16x100 GB/T882-1986	1	
4	1040500132	Cotter pin 3.2x28 GB/T91-2000	1	
5	00663303100801050	Cotter pin	1	
6	1040100182	Screw M12 GB/T825-1988	1	
7	006340000029	Retaining spring (D30,32,35)	1	
8	00663403120410000	Outer pipe	1	
9	00663403120420000	Inner pipe	1	

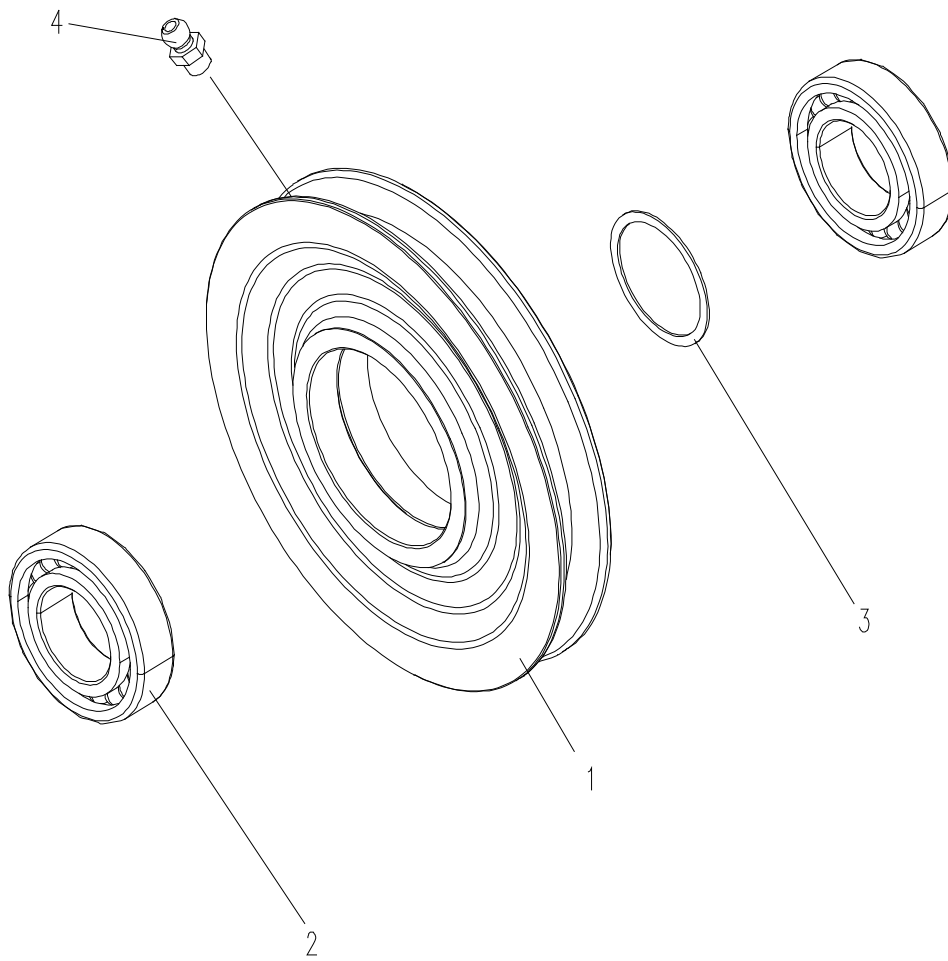
WA-FRAME 1 D0066340803000000Y



WA-FRAME 1 D0066340803000000Y

POS.	ITEM	DESCRIPTION & SPECIFICATION	QTY.	REMARKS
1	00663408030200000	WA-frame1	1	
2	00663308000001030	Pipe	1	
3	00663606600001140	Guide roller	6	
4	1040500057	Cotter pin 5x50 GB/T91-2000	4	
5	00663302100200002	Pulley assy.	6	
6	1040300107	Retaining ring 120 GB/T894.1-1986	1	
7	00663308000001040	Shaft	1	
8	00663308000001050	Plate	2	
9	00663407900001110	Anchoring rod	2	
10	00663407900001140	Spacing sleeve	12	
11	00663308000001070	Partition plate	5	
12	00663408000001120	Shaft	1	
13	00663407900001150	Spacing sleeve	2	
14	00663407900001160	Spacing sleeve	2	
15	00663407900001100	Rod	1	
16	1040000069	Bolt M12x25-8.8 GB/T5783-2000	6	
17	1040300054	Washer 12 GB/T93-1987	6	

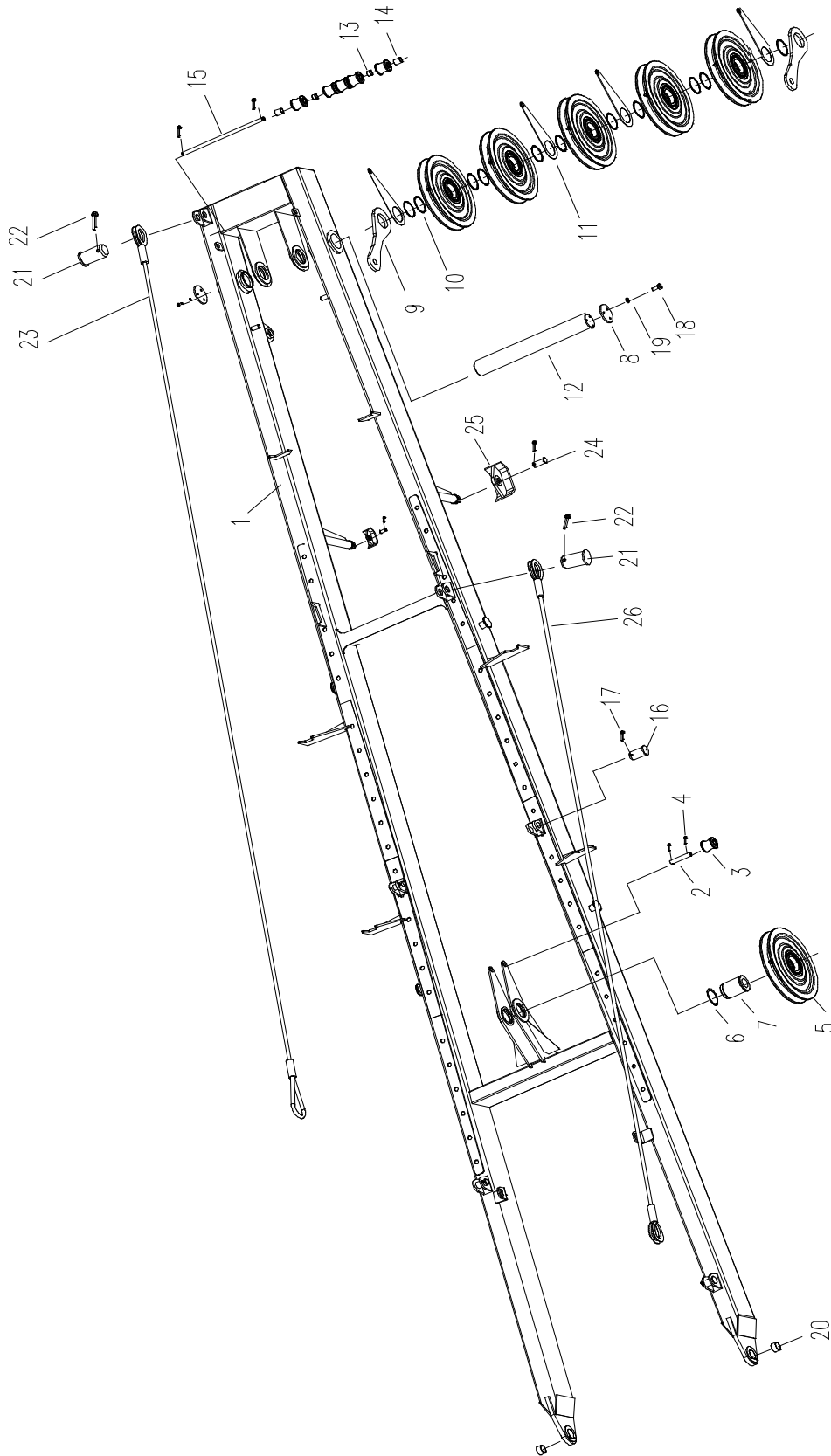
PULLEY ASSY. D00663302100200002Y



PULLEY ASSY. D00663302100200002Y

POS.	ITEM	DESCRIPTION & SPECIFICATION	QTY.	REMARKS
1	00663302100201012	Pulley	1	
2	1050200085	Rolling bearing 6224-Z GB/T276-1994	2	
3	00663300100001011	Spacing sleeve	1	
4	1080000001	Oil cup M10×1 GB1152-1979	2	
5	204110014	Lithium base grease	1	

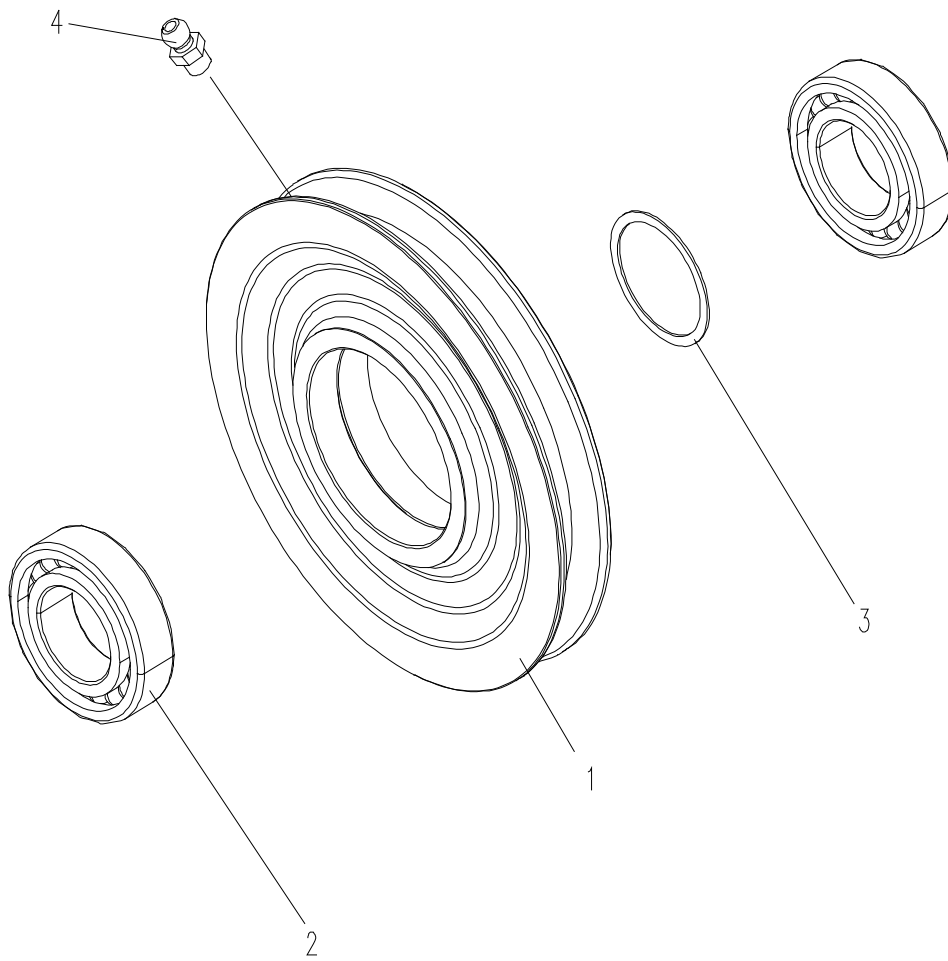
WA-FRAME 2 D0066340793000000Y



WA-FRAME 2 D0066340793000000Y

POS.	ITEM	DESCRIPTION & SPECIFICATION	QTY.	REMARKS
1	00663407930200000	WA-frame 2	1	
2	00663308000001030	Pipe	1	
3	00663606600001140	Guide roller	6	
4	1040500057	Cotter pin 5x50 GB/T91-2000	6	
5	00663302100200002	Pulley assy.	6	
6	1040300107	Retainer ring 120 GB/T894.1-1986	1	
7	00663308000001040	Shaft	2	
8	00663308000001050	Plate	2	
9	00663407900001110	Anchoring rod	2	
10	00663407900001140	Spacing sleeve	12	
11	00663308000001070	Partition plate	4	
12	00663408000001120	Shaft	1	
13	00663407900001150	Spacing sleeve	2	
14	00663407900001160	Spacing sleeve	2	
15	00663407900001100	Rod	1	
16	00663308000001020	Pin spindle	2	
17	1040500076	Cotter pin 8x60 GB/T91-2000	2	
18	1040000069	Bolt M12x25-8.8 GB/T5783-2000	6	
19	1040300054	Washer 12 GB/T93-1987	6	
20	00663307900001050	Shaft sleeve	2	
21	1040500222	Cotter pin 8x80 GB/T91-2000	4	
22	00663407930001040	Shaft	4	
23	00663407930001020	Rope sling	1	
24	00663407930001010	Cotter pin	2	
25	00663407930400000	Seat	2	
26	00663407930001030	Rope sling	1	

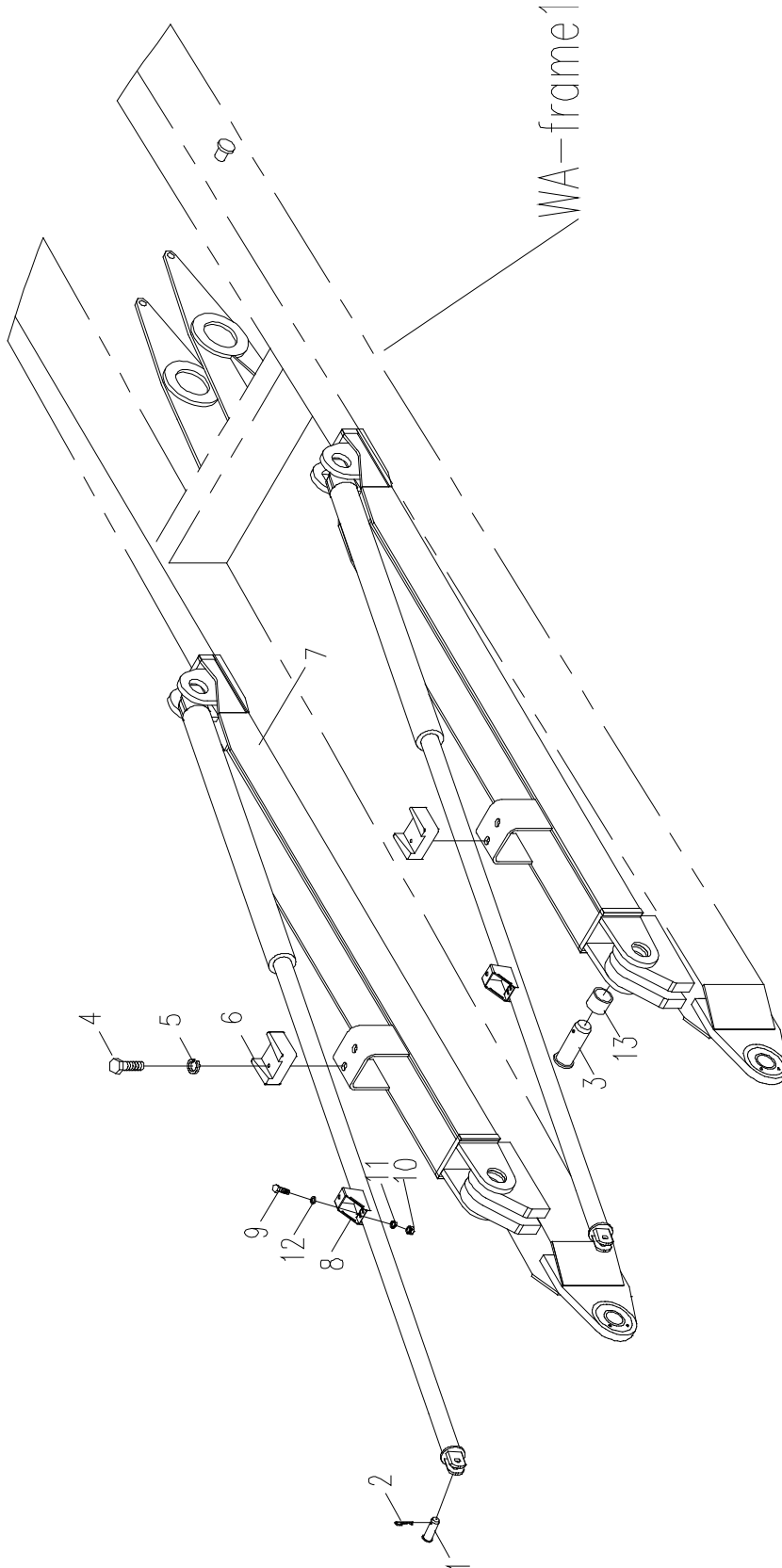
PULLEY ASSY. D00663302100200002Y



PULLEY ASSY. D00663302100200002Y

POS.	ITEM	DESCRIPTION & SPECIFICATION	QTY.	REMARKS
1	00663302100201012	Pulley	1	
2	1050200085	Rolling bearing 6224-Z GB/T276-1994	2	
3	00663300100001011	Spacing sleeve	1	
4	1080000001	Oil cup M10×1 GB1152-1979	2	
5	204110014	Lithium base grease	1	

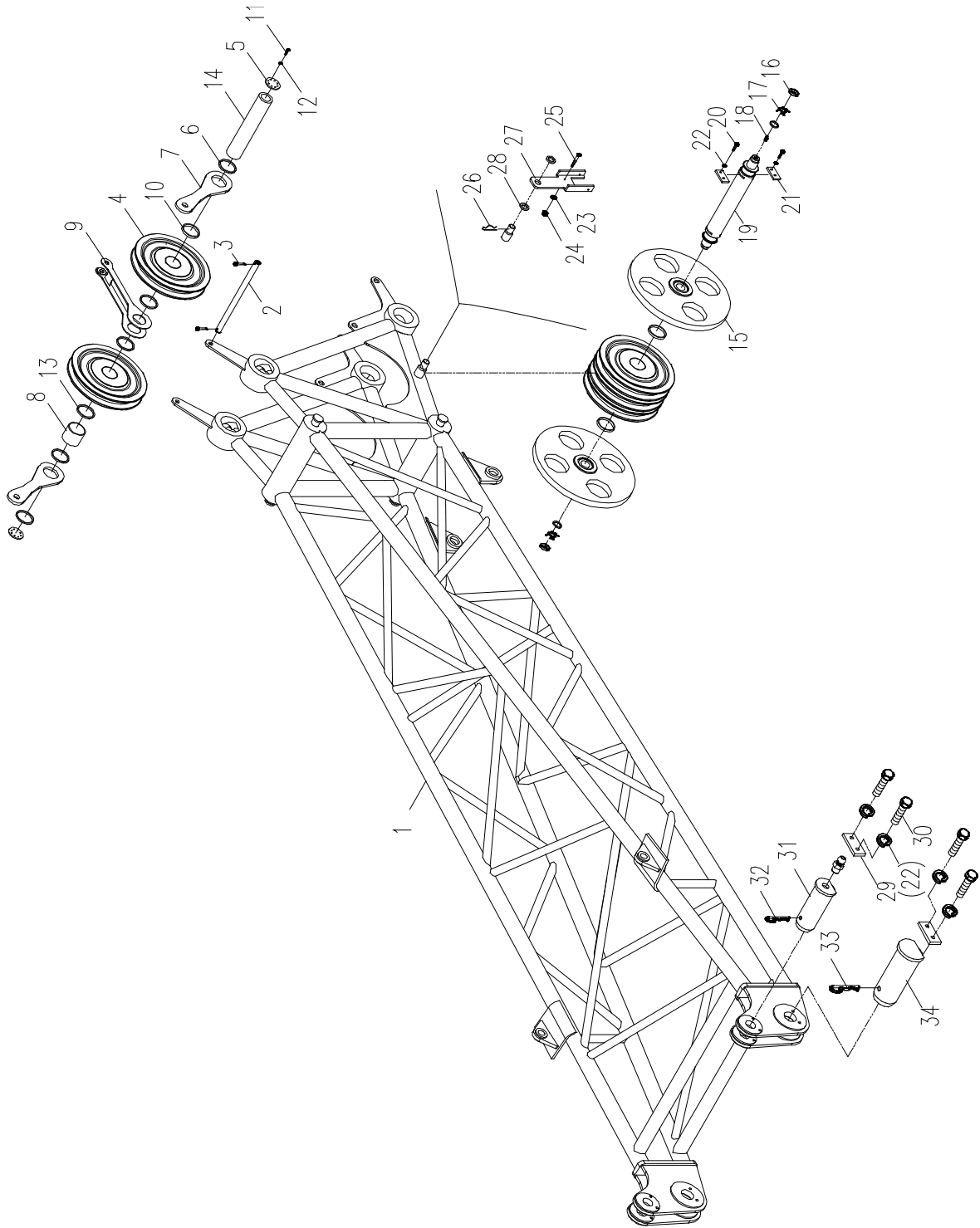
ACCUMULATOR CYLINDER ASSEMBLY D00663403101000000Y



ACCUMULATOR CYLINDER ASSEMBLY D0066340310100000Y

POS.	ITEM	DESCRIPTION & SPECIFICATION	QTY.	REMARKS
1	00663013100401010	Pin spindle	4	
2	006340000001	Retaining spring (D40,45)	6	
3	00663604900201070	Pin spindle	2	
4	1040000116	Bolt M10x20-8.8 GB/T5783-2000	4	
5	1040300067	Washer 10 GB/T93-1987	4	
6	00663403101001010	Nylon cushion block	2	
7	00663403101010000	Support	2	
8	00663403101020000	Bracket of tilting-back support detector	2	
9	1040000267	Bolt M8x20-8.8 GB/T5783-2000	4	
10	1040200192	Nut M8-8 GB/T6170-2000	4	
11	1040300063	Washer 8 GB/T93-1987	4	
12	1040300066	Washer 8-200HV GB/T97.1-2002	4	
13	00663403100001020	Spacing sleeve	2	

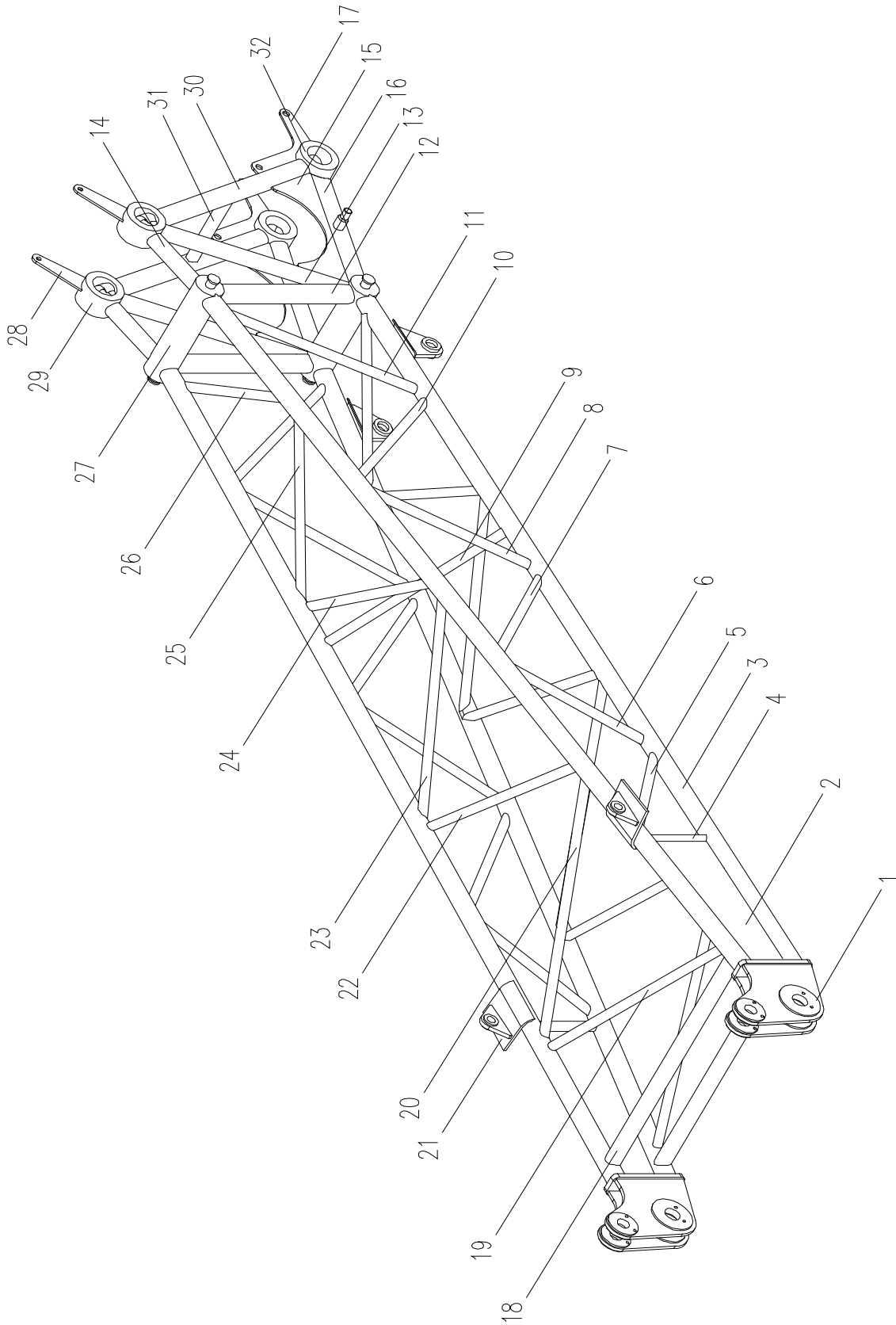
HEAVY FIXED JIB ASSY. D0066340030000000Y



HEAVY FIXED JIB ASSY. D00663400300000000Y

POS.	ITEM	DESCRIPTION & SPECIFICATION	QTY.	REMARKS
1	00663400300200000	Heavy fixed jib	1	
2	00663306601001110	Pipe	3	
3	1040500057	Cotter pin 5x50 GB/T91-2000	6	
4	00663302100200002	Pulley assy.	5	
5	00663306601001130	Plate	2	
6	00663300100001010	Spacing sleeve	4	
7	00663407900001110	Anchoring rod	2	
8	00663406600401120	Spacing sleeve	1	
9	00663406600430000	Pull ring	1	
10	00663406600401110	Spacing sleeve	5	
11	1040000090	Bolt M10x30-8.8 GB/T5783-2000	16	
12	1040300067	Washer 10 GB/T93-1987	16	
13	00663306601001070	Spacing sleeve	3	
14	00663306601001120	Shaft	1	
15	00663300200620001	Running wheel assembly	2	
16	1040200185	Nut M60x2 GB/T812-1988	2	
17	1040300087	Washer 60 GB/T858-1988	2	
18	1080000002	Oil cup M10x1 GB1152-1989	2	
19	00663406600401130	Shaft	1	
20	1040000065	Bolt M16x45-8.8 GB/T5783-2000	8	
21	006340000056	Retaining plate 120	4	
22	1040300065	Washer 16 GB/T93-1987	16	
23	1040300044	Washer 4 GB/T93-1987	2	
24	1040200100	Nut M4-8 GB/T6170-2000	2	
25	1040000304	Bolt M4x40-8.8 GB/T5783-2000	2	
26	006340000032	Retaining spring (D16,18,20)	1	
27	00663816400240000	Assembly of hoisting limit switch	1	
28	00663200102401010	Cushion block	2	
29	00663300200001071	Retaining plate	4	
30	1040000177	Bolt M16x55-8.8 GB/T5783-2000	8	
31	00663300200001010	Pin spindle	2	
32	00663300200001020	Retaining spring	2	
33	00663300200001040	Retaining spring	2	
34	00663300200001030	Pin spindle	2	
35	204110014	Lithium base grease	1	

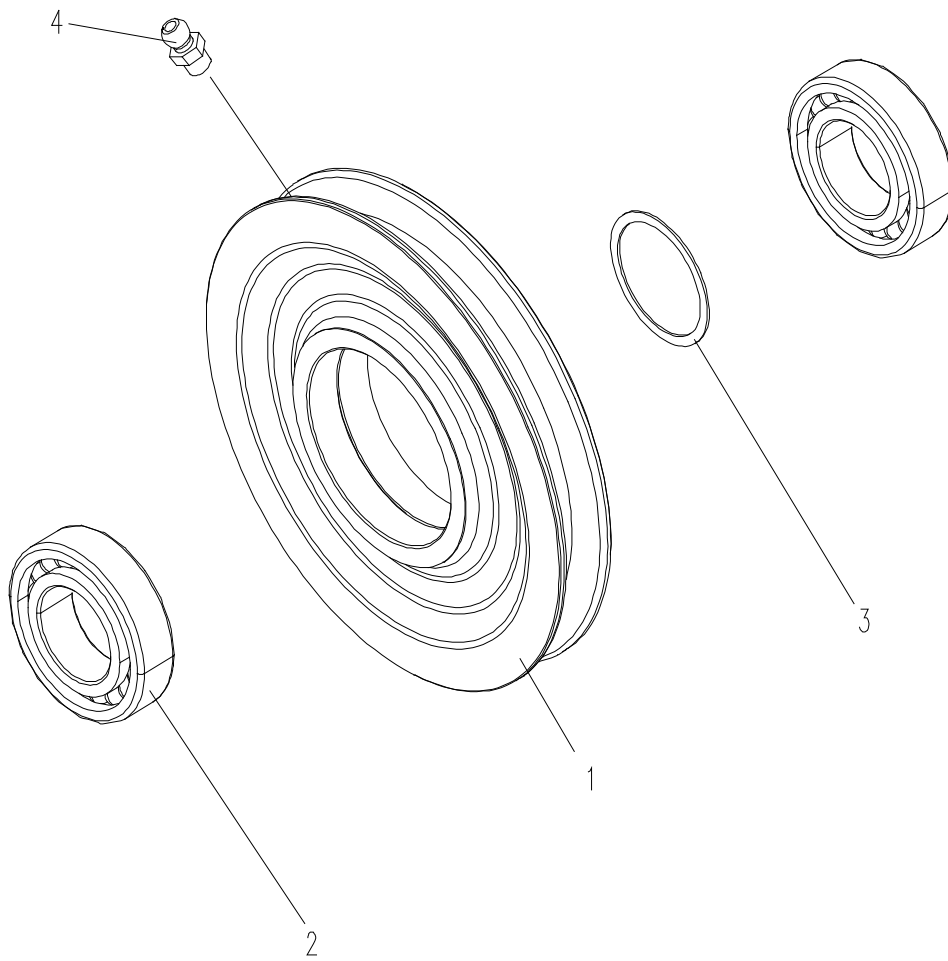
HEAVY FIXED JIB D00663400300200000Y



HEAVY FIXED JIB D00663400300200000Y

POS.	ITEM	DESCRIPTION & SPECIFICATION	QTY.	REMARKS
1	00663400300210000	Fork fitting	2	
2	00663400300201010	Side plate	2	
3	00663400300201020	Chord member	4	
4	00663400300201030	Web member	2	
5	00663400300201040	Web member	2	
6	00663400300201050	Web member	2	
7	00663400300201060	Web member	2	
8	00663400300201070	Web member	2	
9	00663400300201080	Diagonal link	1	
10	00663400300201090	Web member	2	
11	00663400300201100	Web member	2	
12	00663406600421160	Pipe	2	
13	00663406600421170	Pipe	2	
14	00663406600421240	Pipe	2	
15	00663406600421210	Plate	2	
16	00663406600421190	Pipe	2	
17	00663406600421200	Plate	2	
18	00663400300201110	Pipe	2	
19	00663400300201120	Web member	2	
20	00663400300201130	Web member	2	
21	00663400300201140	Plate bending	2	
22	00663400300201150	Web member	2	
23	00663400300201160	Web member	2	
24	00663400300201170	Web member	2	
25	00663400300201180	Web member	2	
26	00663400300201190	Web member	2	
27	00663306601021240	Pipe © 139.7×10	2	
28	00663406600411300	Plate	2	
29	00663406600421220	Shaft sleeve	2	
30	00663406600421180	Pipe	2	
31	00663400300201220	Pipe	1	
32	00663406600411290	Shaft sleeve	2	

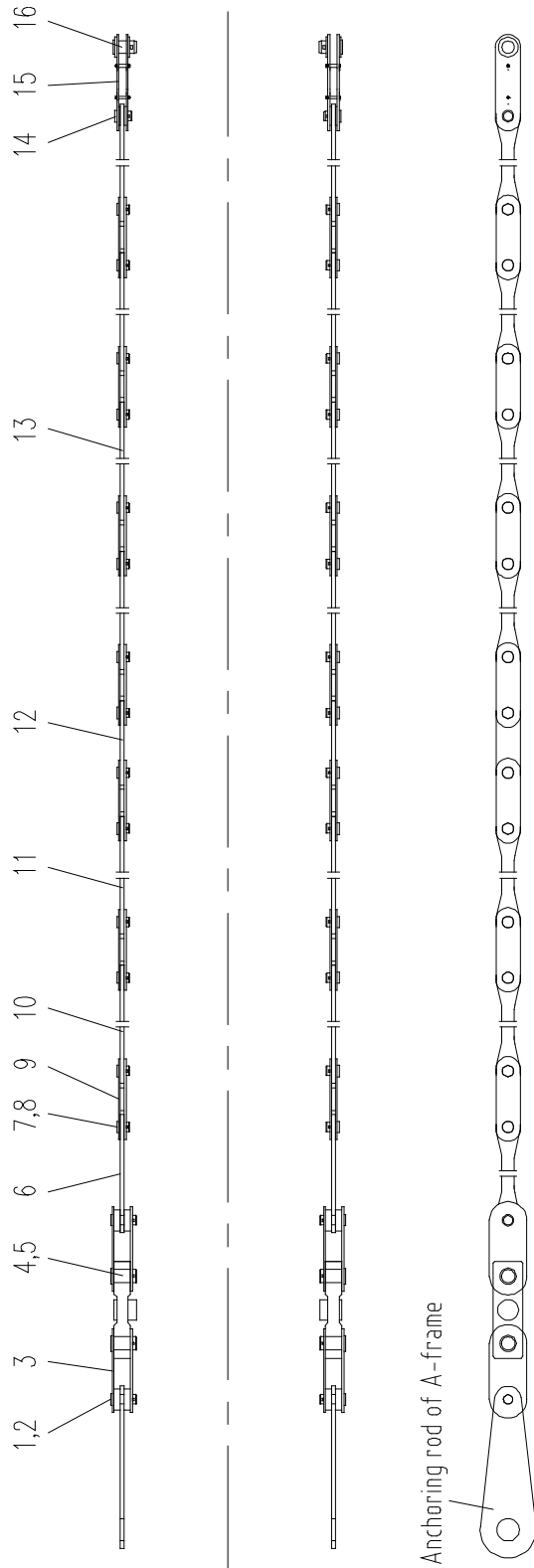
PULLEY ASSY. D00663302100200002Y



PULLEY ASSY. D00663302100200002Y

POS.	ITEM	DESCRIPTION & SPECIFICATION	QTY.	REMARKS
1	00663302100201012	Pulley	1	
2	1050200085	Rolling bearing 6224-Z GB/T276-1994	2	
3	00663300100001011	Spacing sleeve	1	
4	1080000001	Oil cup M10×1 GB1152-1979	2	
5	204110014	Lithium base grease	1	

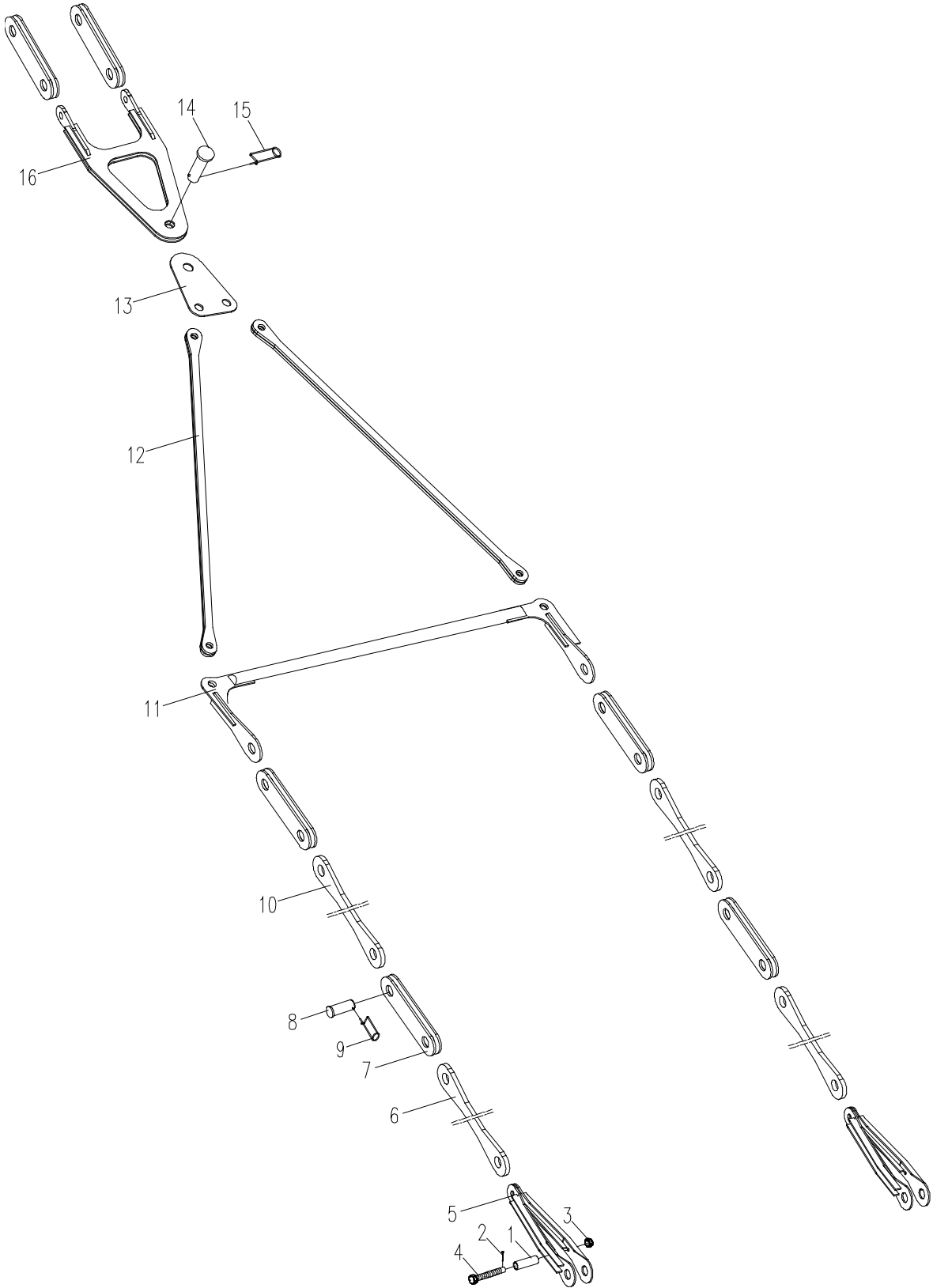
MAIN BOOM ANCHORING RODS D0066340542020000Y



MAIN BOOM ANCHORING RODS D0066340542020000Y

POS.	ITEM	DESCRIPTION & SPECIFICATION	QTY.	REMARKS
1	00663305400201081	Pin spindle	4	
2	1040500076	Cotter pin 8x60 GB/T91-2000	8	
3	00663305400270001	Connecting plate	8	
4	00663305400201091	Pin spindle	4	
5	1040500187	Cotter pin 10x95 GB/T91-2000	8	
6	00663305400201051	Single anchoring rod	18	
7	00663305400201041	Pin spindle	76	
8	00663300100001230	Retaining spring	76	
9	00663305400220002	Double anchoring rod	38	
10	00663405420201010	Single anchoring rod	2	
11	00663405420201020	Single anchoring rod	2	
12	00663405420201030	Single anchoring rod	2	
13	00663305400201031	Single anchoring rod	16	
14	00663305400201021	Pin spindle	2	
15	00663405420210000	Main boom connecting plate	2	
16	00663405400201020	Shaft	2	

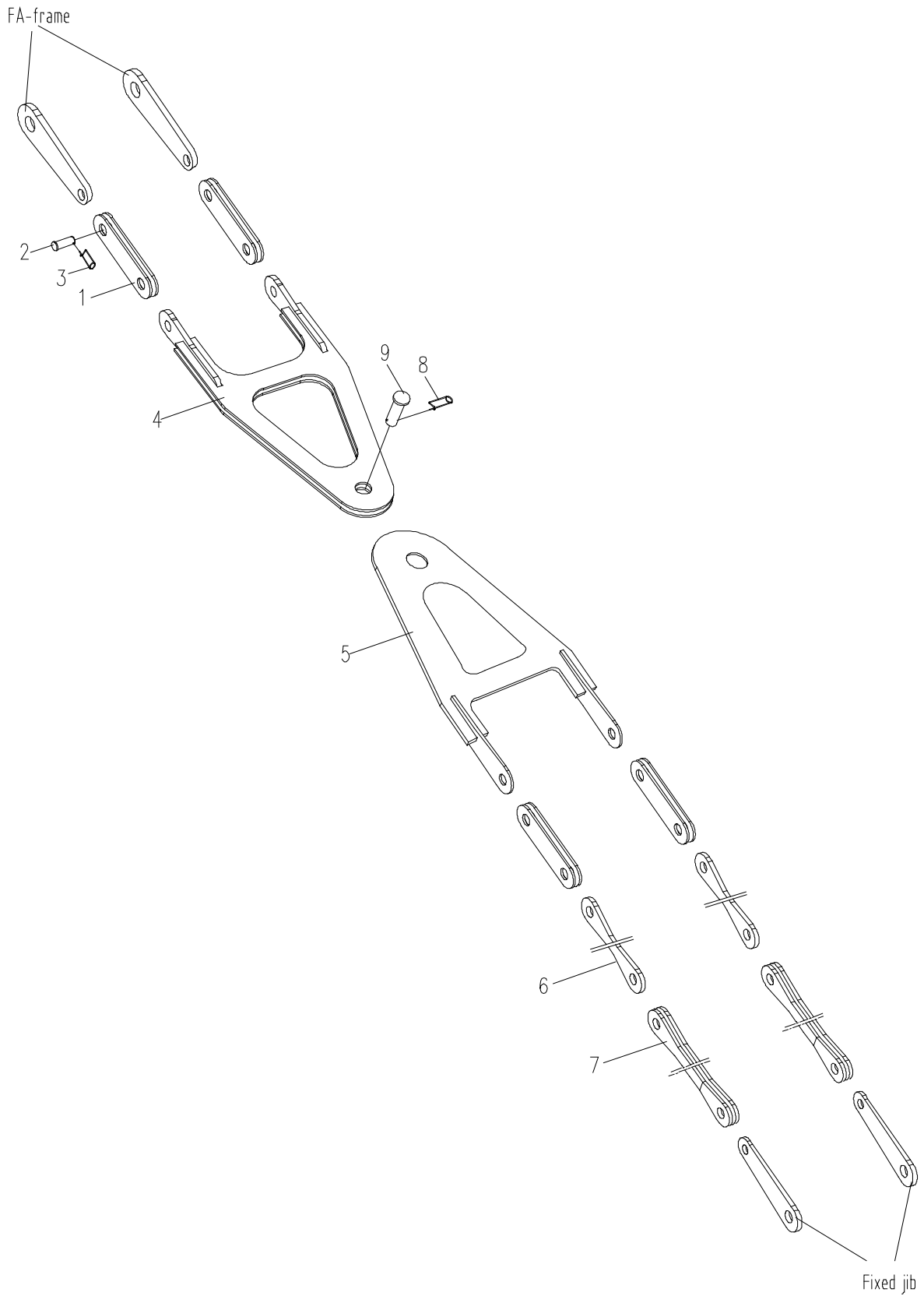
FIXED JIB REAR ANCHORING RODS D00663405400400001Y



FIXED JIB REAR ANCHORING RODS D00663405400400001Y

POS.	ITEM	DESCRIPTION & SPECIFICATION	QTY.	REMARKS
1	00663405400401010	Sleeve pipe	2	
2	1040500097	Cotter pin 4x30 GB/T91-2000	2	
3	1040200097	Nut M20-8 GB/T6170-2000	2	
4	1040000323	Bolt M20x200-8.8 GB/T31.1-1988	2	
5	00663405400410000	Anchoring rod	4	
6	00663405400401020	Single anchoring rod	2	
7	00663305400410003	Double anchoring rod	8	
8	00663005400201022	Pin spindle	22	
9	00663300100001230	Retaining spring	22	
10	00663305400801021	Single anchoring rod	4	
11	00663305400440000	Coupling link	1	
12	00663305400430001	Double anchoring rod	2	
13	00663305400401020	Connecting plate	1	
14	00663305400401060	Pin spindle	1	
15	1040500186	Cotter pin 10x90 GB/T91-2000	1	
16	00663305400420000	Reducing double anchoring rod	1	
17	00663305400401041	Single anchoring rod	2	
18	00663405400401030	Single anchoring rod	2	

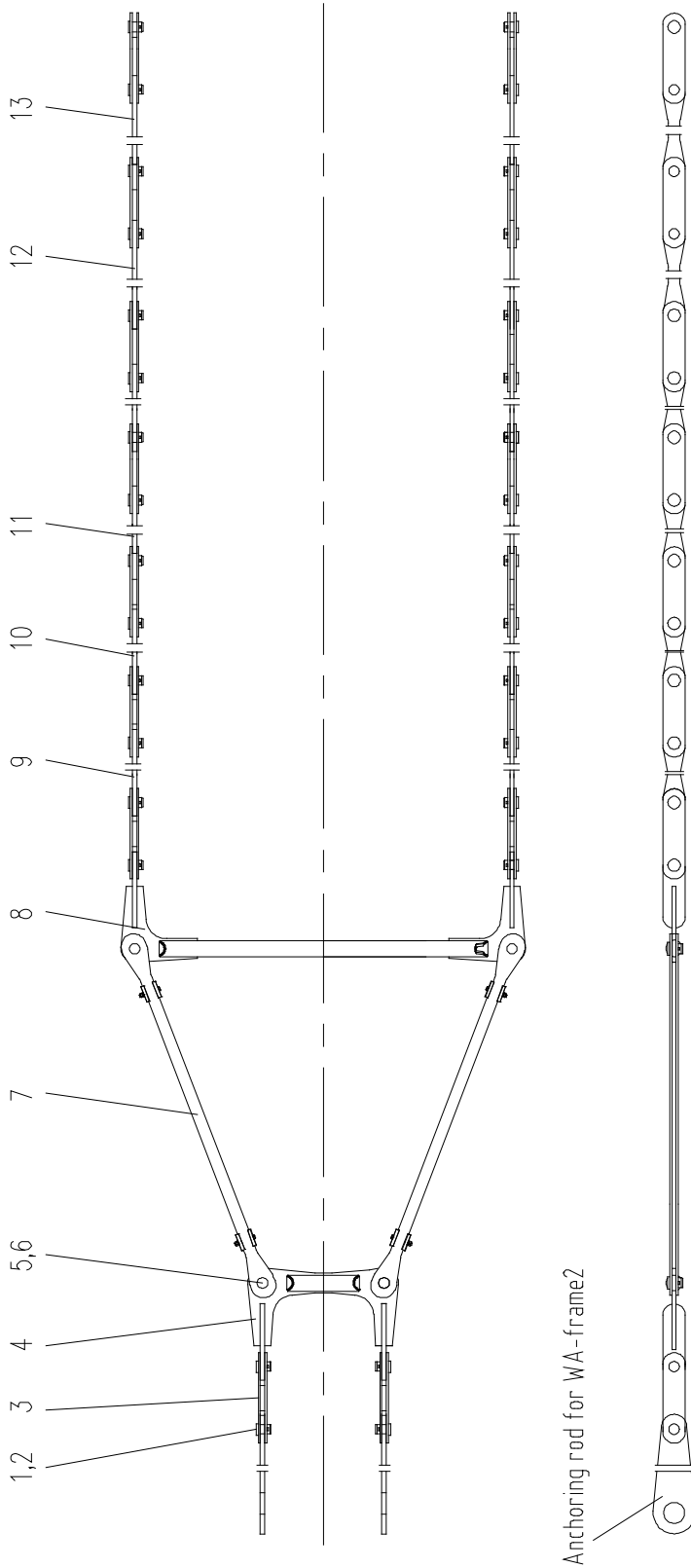
FIXED JIB FRONT ANCHORING RODS D0066330540060000Y



FIXED JIB FRONT ANCHORING RODS D0066330540060000Y

POS.	ITEM	DESCRIPTION & SPECIFICATION	QTY.	REMARKS
1	00663305400410003	Double anchoring rod	12	
2	00663005400201022	Pin spindle	28	
3	00663300100001230	Retaining spring	28	
4	00663305400420000	Reducing double anchoring rod	1	
5	00663305401010001	Reducing single anchoring rod	1	
6	00663305400401031	Single anchoring rod	10	
7	00663305400620001	Double anchoring rod	2	
8	1040500186	Cotter pin 10x90 GB/T91-2000	1	
9	00663305400401060	Pin spindle	1	

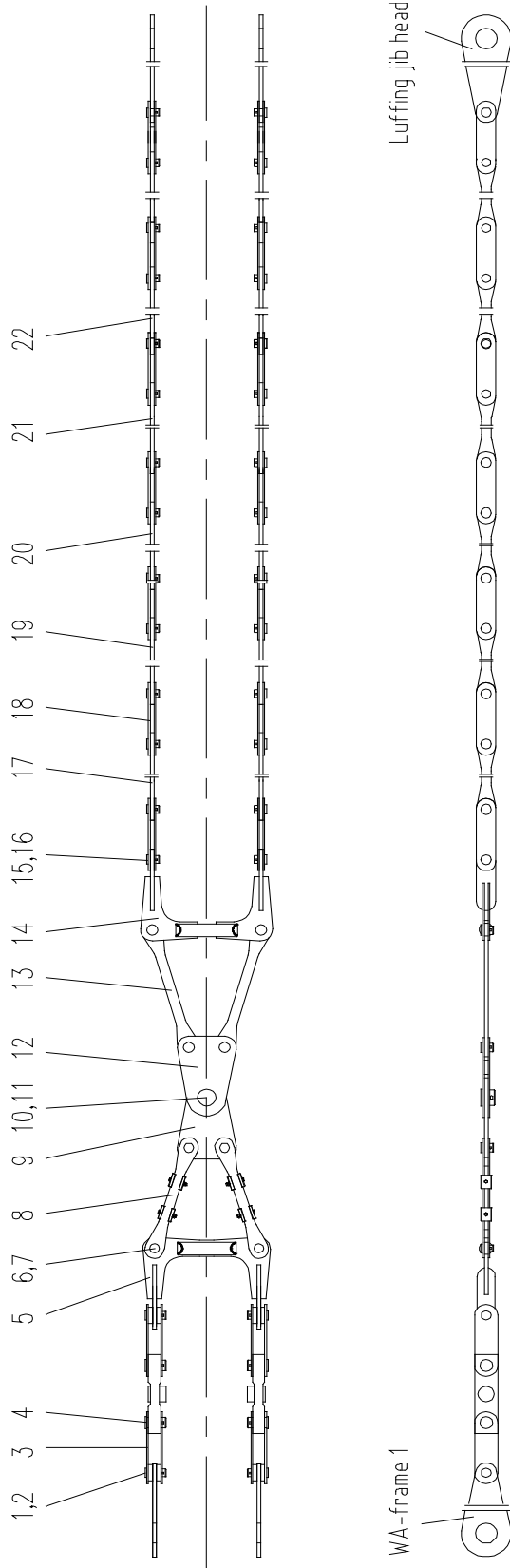
LUFFING JIB REAR ANCHORING RODS D0066340542060000Y



LUFFING JIB REAR ANCHORING RODS D0066340542060000Y

POS.	ITEM	DESCRIPTION & SPECIFICATION	QTY.	REMARKS
1	00663300100001230	Retaining spring	60	
2	00663405400601010	Pin spindle	60	
3	00663405400610001	Double anchoring rod	30	
4	00663405420610000	Coupling link	1	
5	1040500186	Cotter pin 10x90 GB/T91-2000	4	
6	00663305400201041	Pin spindle	4	
7	00663405420620000	Double anchoring rod	2	
8	00663405420630000	Coupling link	1	
9	00663405420601030	Single anchoring rod	2	
10	00663405420601010	Single anchoring rod	2	
11	00663405400601090	Anchoring rod	10	
12	00663405400601080	Anchoring rod	10	
13	00663405420601020	Single anchoring rod	2	

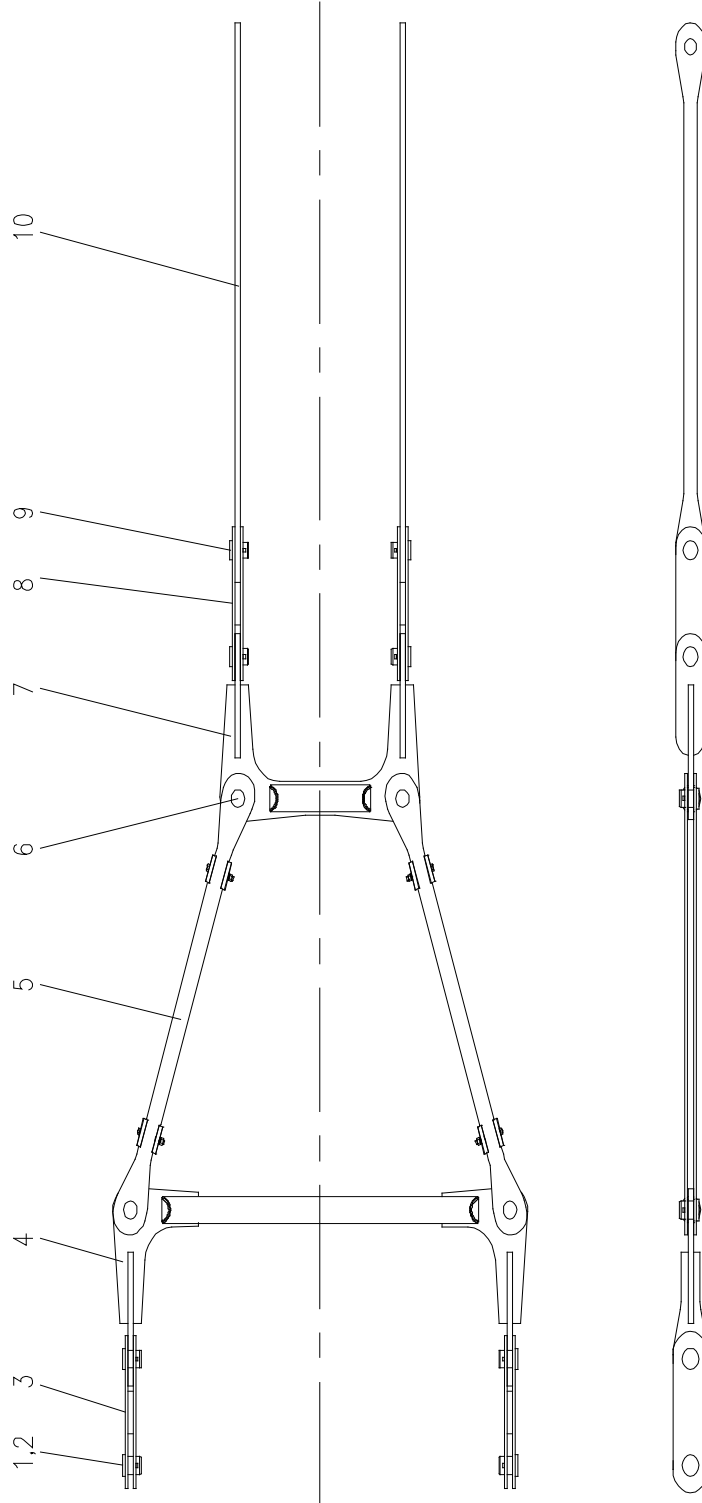
LUFFING JIB FRONT ANCHORING RODS D0066340542040000Y



LUFFING JIB FRONT ANCHORING RODS D0066340542040000Y

POS.	ITEM	DESCRIPTION & SPECIFICATION	QTY.	REMARKS
1	00663405401801040	Pin spindle	4	
2	1040500076	Cotter pin 8x60 GB/T91-2000	8	
3	00663405400850000	Anchoring rod	8	
4	00663405400801020	Pin spindle	4	
5	00663405420610000	Coupling link	1	
6	00663305400201041	Pin spindle	8	
7	1040500186	Cotter pin 10x90 GB/T91-2000	8	
8	00663405400650001	Anchoring rod	2	
9	00663305400201061	Connecting plate	1	
10	1040500179	Cotter pin 10x120 GB/T91-2000	1	
11	00663305400201101	Pin spindle	1	
12	00663305400250001	Connecting plate	1	
13	00663405400801040	Anchoring rod	2	
14	00663405400860000	Coupling link	1	
15	00663405400601010	Pin spindle	56	
16	00663300100001230	Retaining spring	56	
17	00663405400801050	Anchoring rod	2	
18	00663405400610001	Double anchoring rod	28	
19	00663405420401010	Anchoring rod	2	
20	00663405400601090	Anchoring rod	8	
21	00663405400601080	Anchoring rod	12	
22	00663405420401020	Anchoring rod	2	

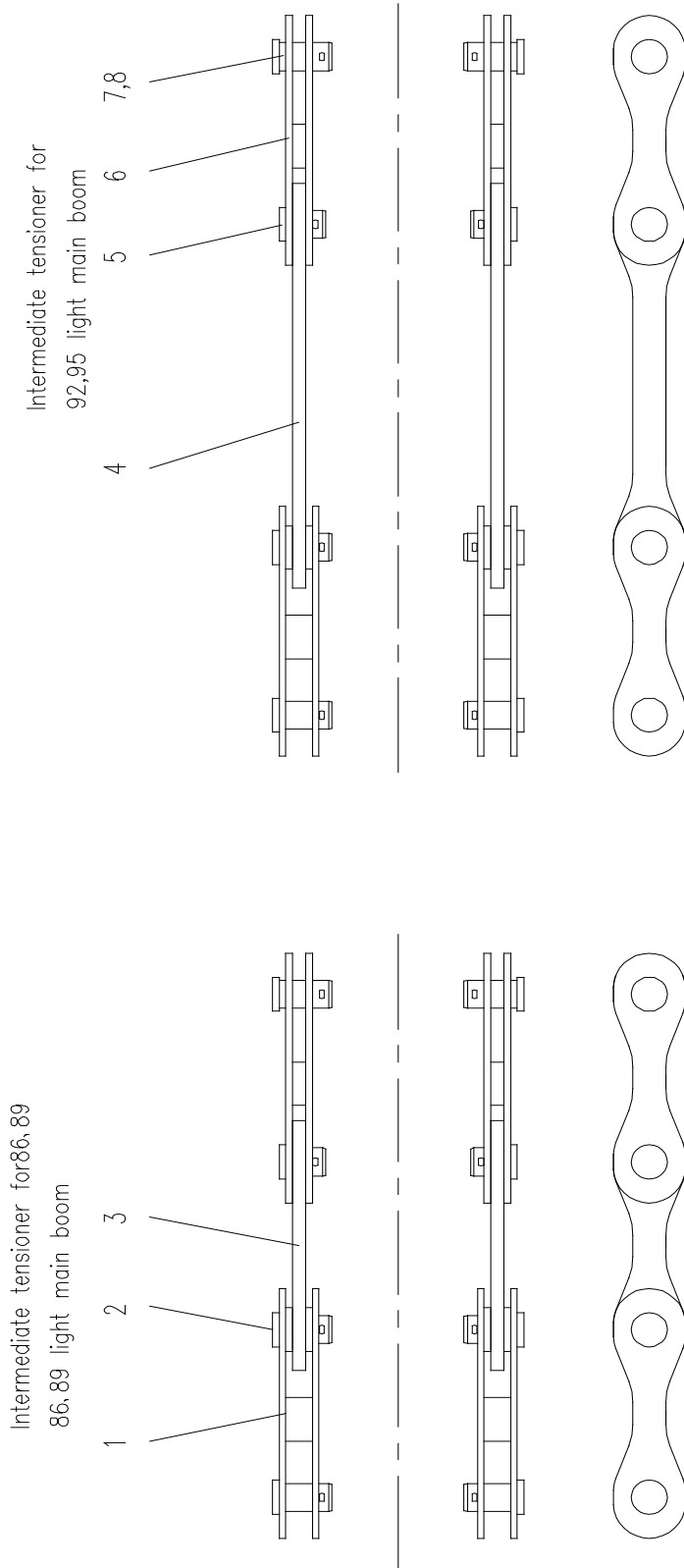
LIGHT MAIN BOOM ANCHORING RODS D0066340542100000Y



LIGHT MAIN BOOM ANCHORING RODS D0066340542100000Y

POS.	ITEM	DESCRIPTION & SPECIFICATION	QTY.	REMARKS
1	00663305400201041	Pin spindle	4	
2	00663300100001230	Retaining spring	12	
3	00663305400220002	Double anchoring rod	2	
4	00663405421010000	Coupling link	1	
5	00663405421020000	Double anchoring rod	2	
6	1040500186	Cotter pin 10x90 GB/T91-2000	4	
7	00663405421030000	Coupling link	1	
8	00663405400610001	Double anchoring rod	2	
9	00663405400601010	Pin spindle	4	
10	00663405421001010	Anchoring rod	2	

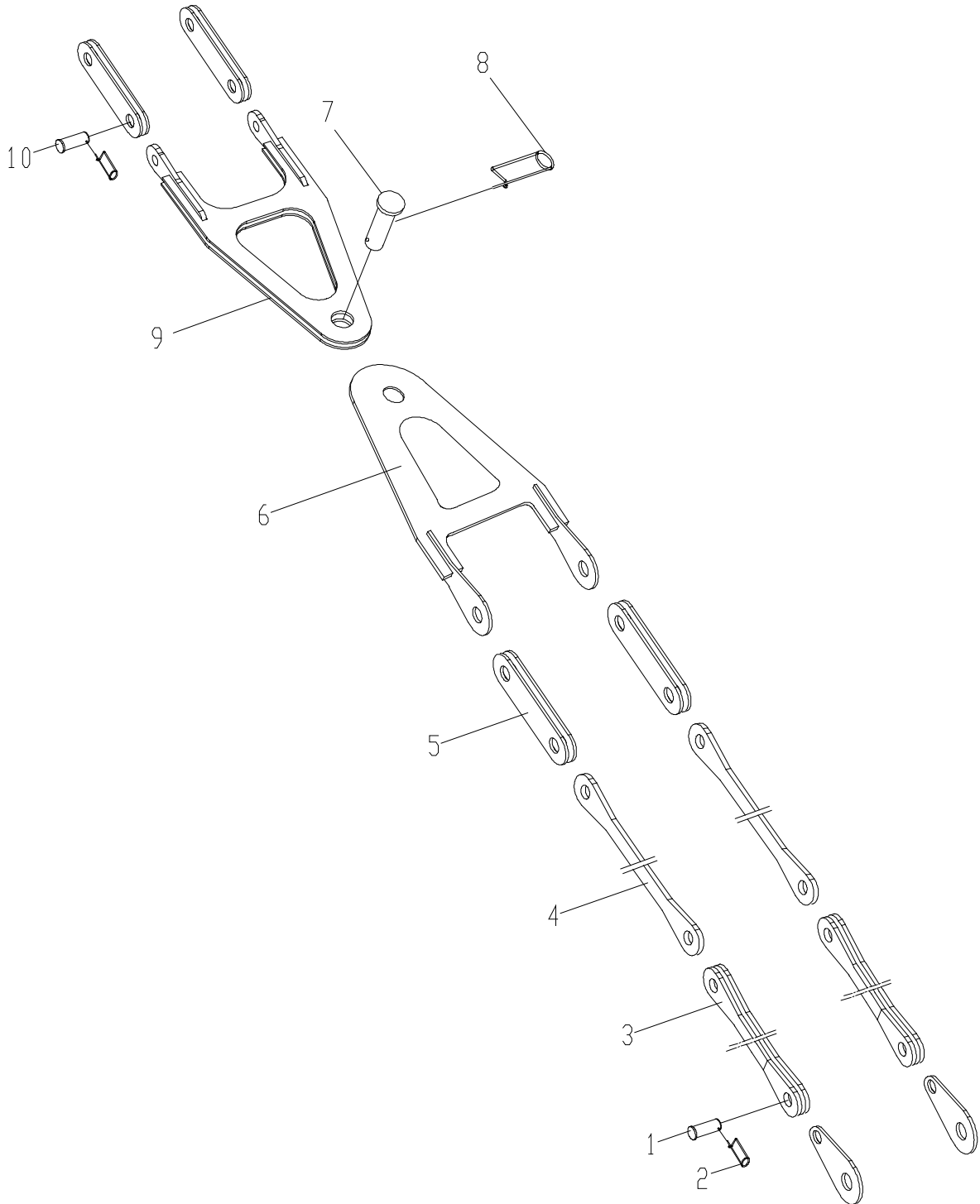
**LIGHT MAIN BOOM INTERMEDIATE TENSIONER
D0066340542080000Y**



LIGHT MAIN BOOM INTERMEDIATE TENSIONER**D0066340542080000Y**

POS.	ITEM	DESCRIPTION & SPECIFICATION	QTY.	REMARKS
1	00663405401210001	Double anchoring rod	2	
2	00663405400601030	Pin spindle	4	
3	00663405401201010	Plate	2	
4	00663405401201020	Plate	2	
5	00663405400601010	Pin spindle	2	
6	00663405401220001	Double anchoring rod	2	
7	00663405420801010	Pin spindle	2	
8	00663300100001230	Retaining spring	8	

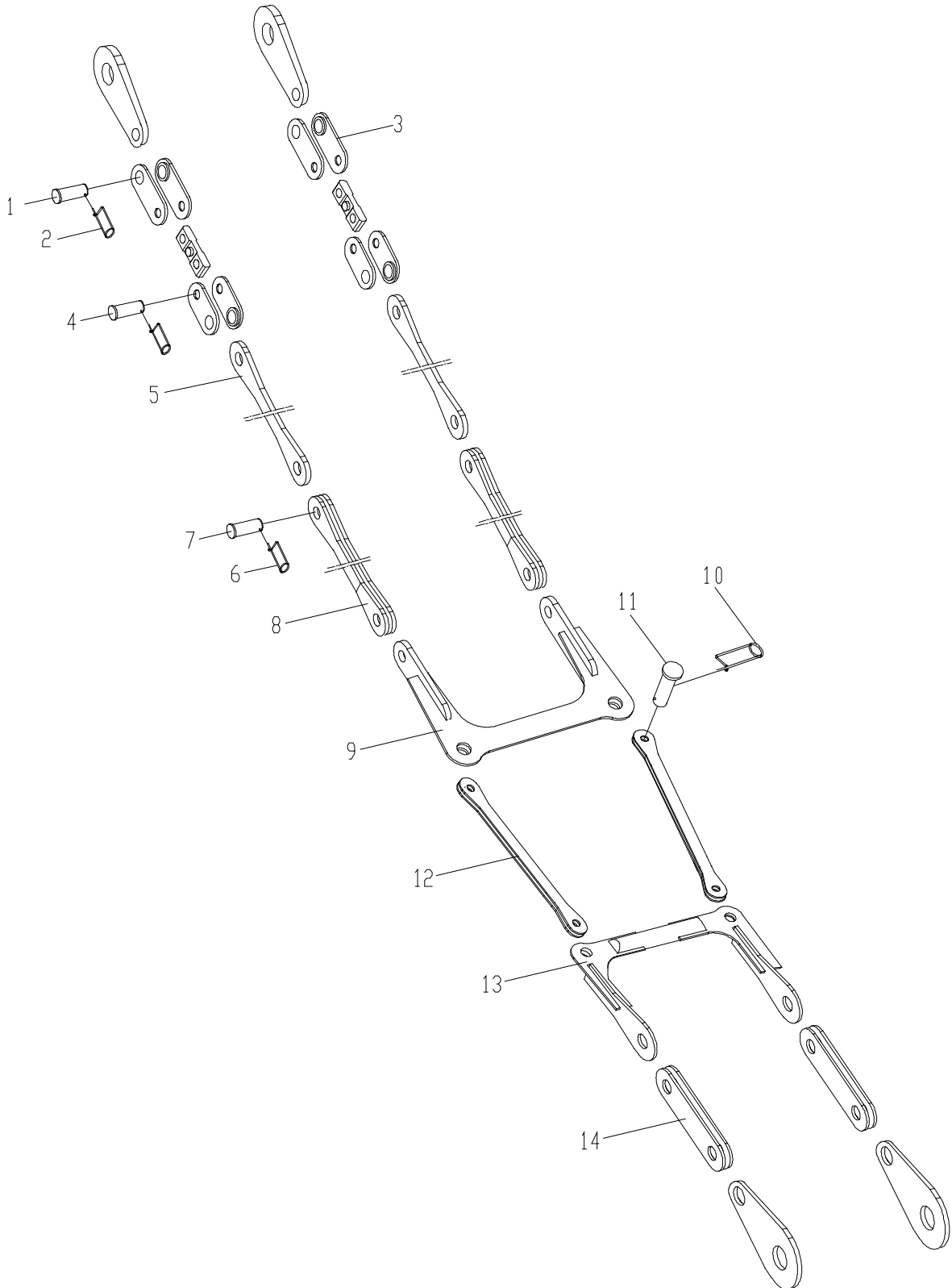
**HEAVY FIXED JIB FRONT ANCHORING RODS
D00663405401400000Y**



HEAVY FIXED JIB FRONT ANCHORING RODS**D00663405401400000Y**

POS.	ITEM	DESCRIPTION & SPECIFICATION	QTY.	REMARKS
1	00663405400601010	Pin spindle	2	
2	00663300100001230	Retaining spring	12	
3	00663405401410001	Double anchoring rod	2	
4	00663305400401031	Single anchoring rod	2	
5	00663305400410003	Double anchoring rod	4	
6	00663305401010001	Reducing single anchoring rod	1	
7	00663305400401060	Pin spindle	1	
8	1040500186	Cotter pin 10x90	1	
9	00663305400420000	Reducing double anchoring rod	1	
10	00663005400201022	Pin spindle	10	

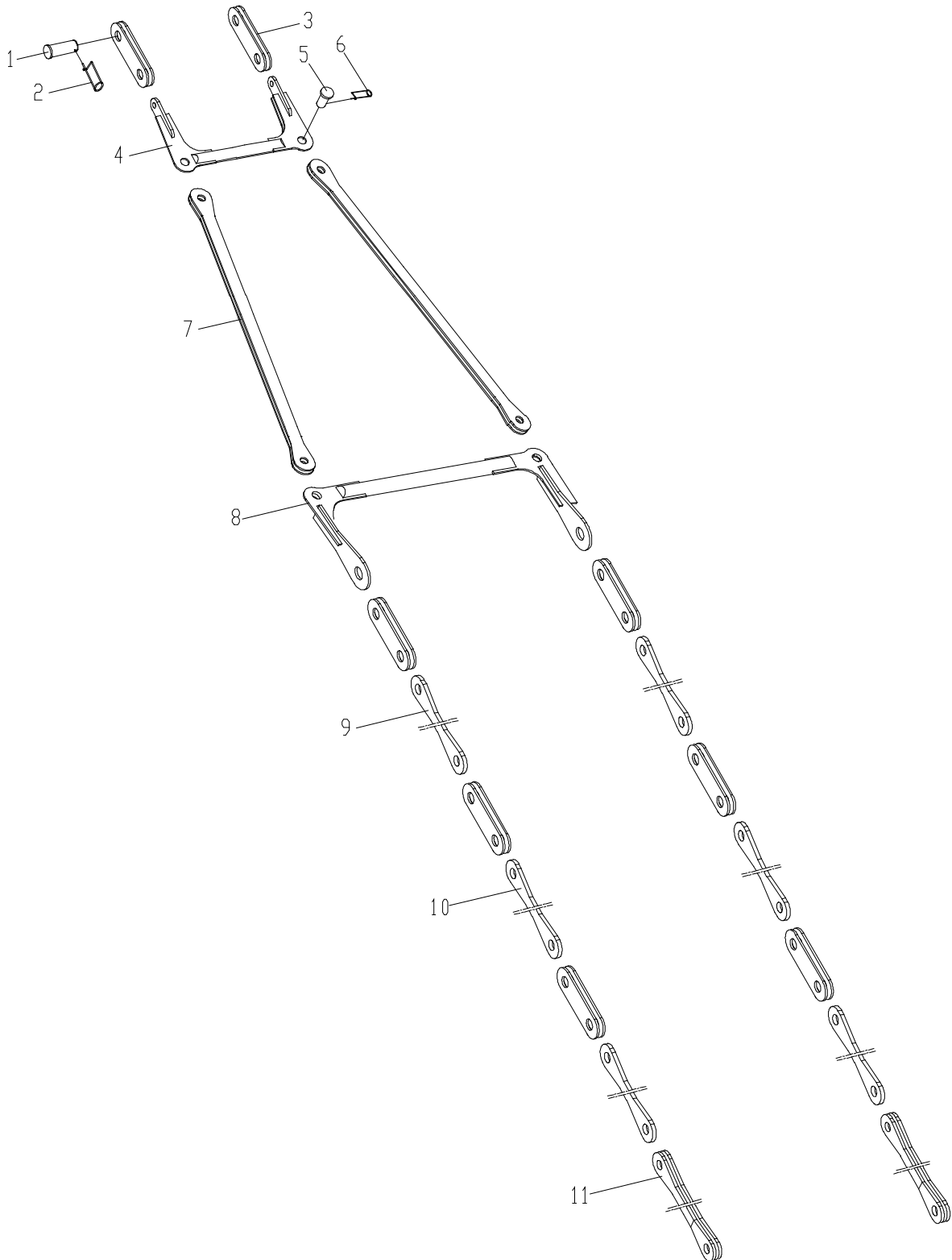
FIXED JIB FRONT ANCHORING RODS (SHIELD CONFIGURATION) D0066340541100000Y



**FIXED JIB FRONT ANCHORING RODS (SHIELD
CONFIGURATION) D0066340541100000Y**

POS.	ITEM	DESCRIPTION & SPECIFICATION	QTY.	REMARKS
1	00663405411000050	Shield front anchoring rod assy.	1	
2	00000001040500076	Cotter pin 8×60 GB/T91-2000	8	
3	00663405400801031	Shaft	4	
4	00663405400801020	Pin spindle	4	
5	00663405400601090	Anchoring rod	2	
6	00663300100001230	Retaining spring	8	
7	00663405400601010	Pin spindle	8	
8	00000001040500186	Cotter pin 10×90 GB/T91-2000	4	
9	00663305400201041	Pin spindle	4	
10	00663405400610001	Double anchoring rod	2	

**FIXED JIB REAR ANCHORING RODS (SHIELD CONFIGURATION)
D0066340541120000Y**



**FIXED JIB REAR ANCHORING RODS (SHIELD CONFIGURATION)
D0066340541120000Y**

POS.	ITEM	DESCRIPTION & SPECIFICATION	QTY.	REMARKS
1	00663300100001230	Retaining spring	28	
2	00663405400601010	Pin spindle	28	
3	00663405400610001	Double anchoring rod	12	
4	00663405400830000	Coupling link	1	
5	00663305400201041	Pin spindle	4	
6	1040500186	Cotter pin 10×90	4	
7	00663405411210000	Anchoring rod	2	
8	00663405411220000	Coupling link	1	
9	00663405400601080	Anchoring rod	4	
10	00663405400601090	Anchoring rod	6	
11	00663405400640001	Double anchoring rod	2	

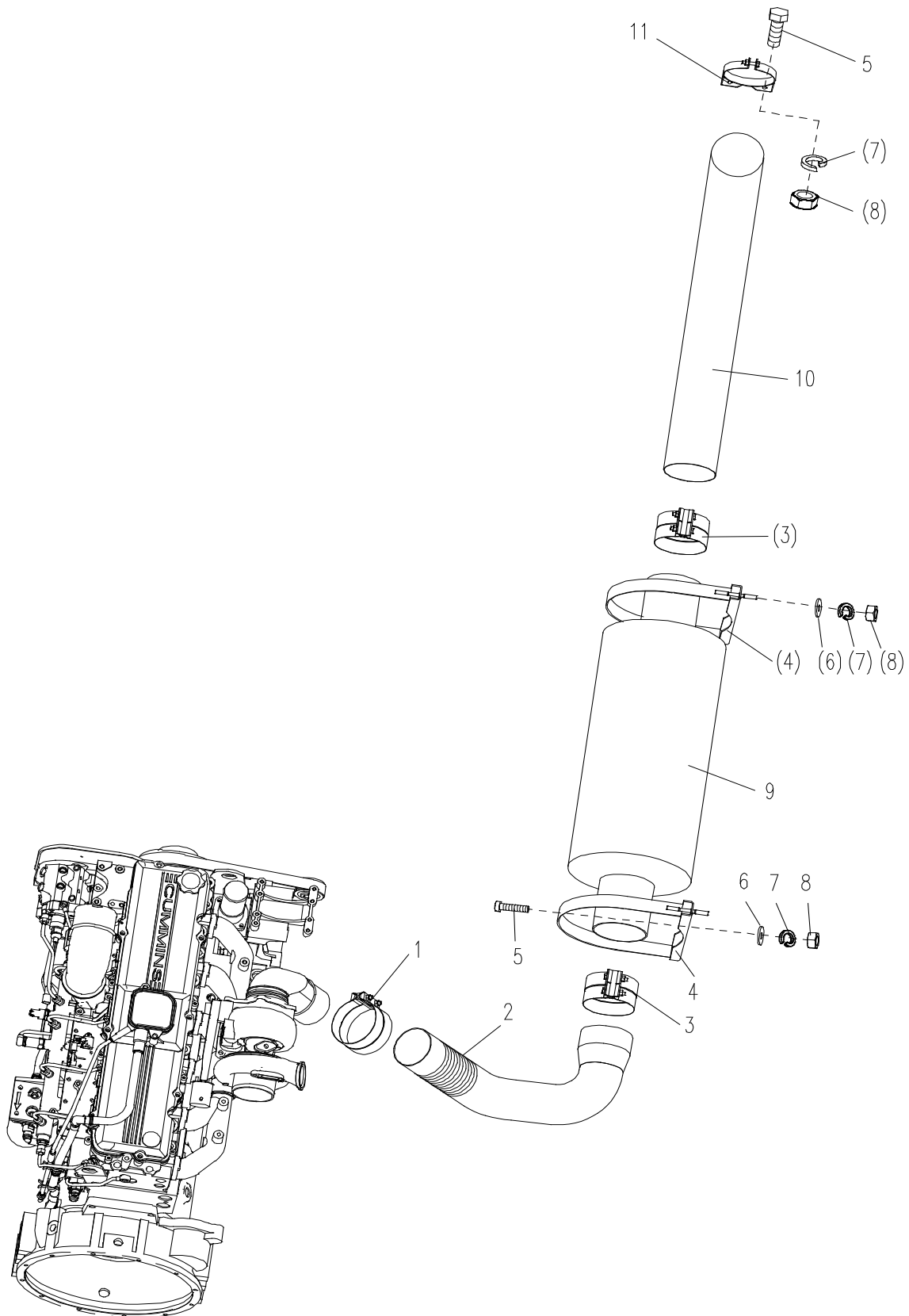


Crawler Crane Spare Parts Catalog

Chapter 3 Power system



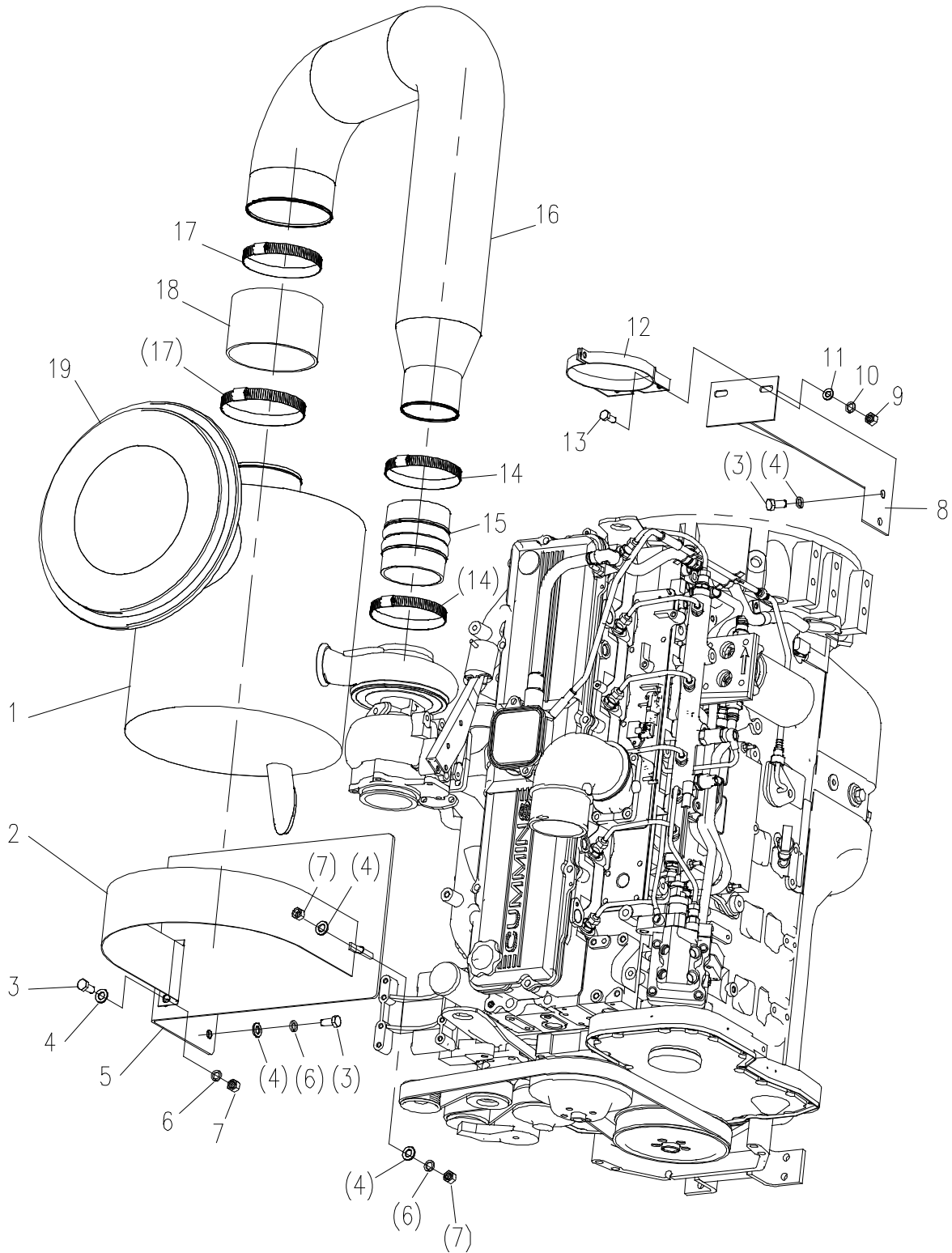
EXHAUST SYSTEM D00663401220000000Y



EXHAUST SYSTEM D0066340122000000Y

POS.	ITEM	DESCRIPTION & SPECIFICATION	QTY.	REMARKS
1	1000200096	Pipe clamp X007784	1	
2	00663401220001010	Exhaust pipe	1	
3	1990200131	Pipe clamp X007785	2	
4	1000200066	Silencer support 6109-1240-0000	2	
5	1040000114	Bolt M10×25-8.8 GB/T5783-2000	6	
6	1040300061	Washer 10-200HV GB/T97.1-2002	8	
7	1040300067	Washer 10 GB/T93-1987	6	
8	1040200113	Nut M10-8 GB/T6170-2000	8	
9	1000200063	Silencer M120748	1	
10	1000200064	Exhaust pipe 6109-1200-1020	1	
11	1000200067	Pipe clamp 6109-1260-0000	1	

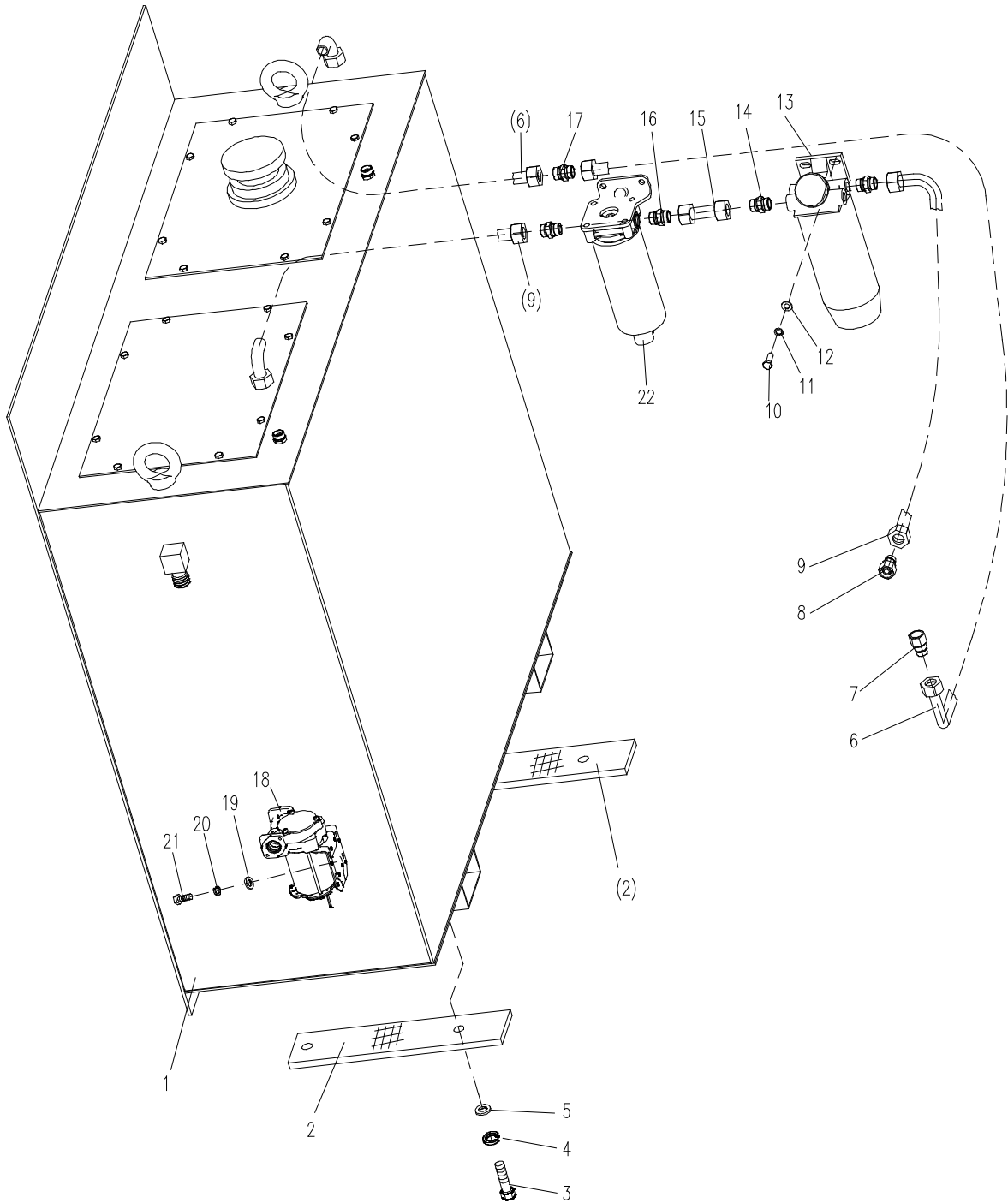
AIR INTAKE SYSTEM D0066340140000000Y



AIR INTAKE SYSTEM D0066340140000000Y

POS.	ITEM	DESCRIPTION & SPECIFICATION	QTY.	REMARKS
1	1000100016	Air filter AH19280-B	1	
2	00660901400400000	Air filter clamp	1	
3	1040000069	Bolt M12x25-8.8 GB/T5783-2000	8	
4	1040300041	Washer 12-200HV GB/T97.1-2002	10	
5	00663401410200000	Support	1	
6	1040300054	Washer 12 GB/T93-1987	8	
7	1040200096	Nut M12-8 GB/T6170-2000	10	
8	00660901400200000	Support	1	
9	1040200813	Nut M10-8 GB/T6170-2000	2	
10	1040302245	Washer 10 GB/T93-2000	2	
11	1040300533	Washer 10 GB/T97.1-2002	2	
12	1990200152	Pipe clamp QAZ9109-0640-0000	1	
13	1040000114	Bolt M10x25-8.8 GB/T5783-2000	2	
14	1990200532	Worm clamp 100-120	2	
15	1001400022	Multi-layer corrugated pipe φ100xφ110x120(with anti-explosion)	1	
16	00663401400001010	Air intake steel pipe	1	
17	1990200649	Worm clamp 150-170	2	
18	1001400008	Air intake pipe	1	
19	1000100005	Rainproof cap	1	

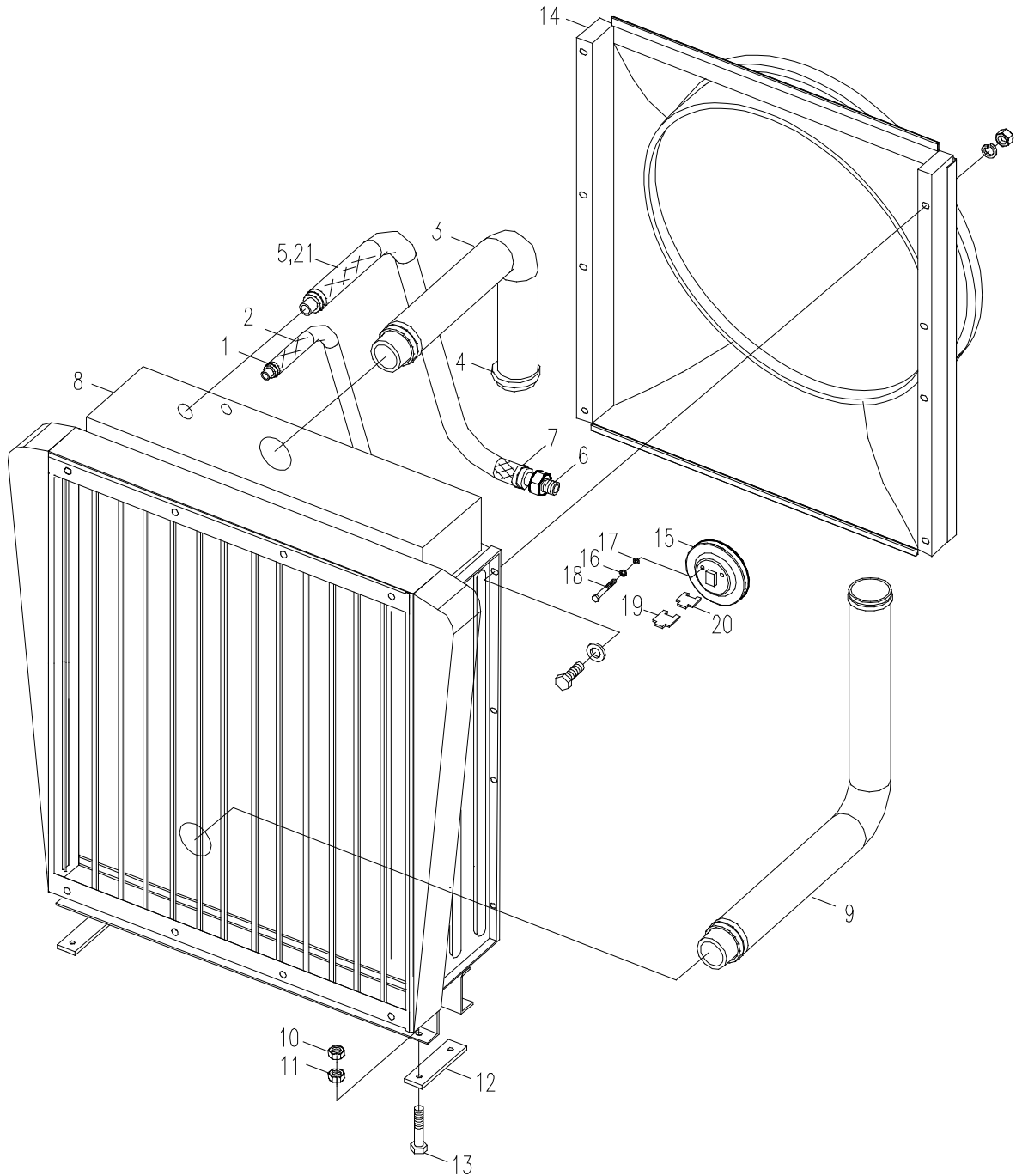
CUMMINS ENGINE FUEL SUPPLY SYSTEM D0066340112000000Y



CUMMINS ENGINE FUEL SUPPLY SYSTEM D0066340112000000Y

POS.	ITEM	DESCRIPTION & SPECIFICATION	QTY.	REMARKS
1	00663401120200000	Fuel tank assy.	1	
2	00663401120001010	Rubber pad	2	
3	1040000177	Bolt M16x55-8.8 GB/T5783-2000	4	
4	1040300052	Washer 16-200HV GB/T97.1-2002	4	
5	1040300065	Washer 16 GB/T93-1987	4	
6	1140211765	Hose assy. H/H3-13x1W-1900	2	
7	00663501100001011	Fitting	1	
8	00663501100001021	Fitting	1	
9	1140206685	Hose assy. H/H3-13x1W-1200(L15)	2	
10	1040000114	Bolt M10x25-8.8 GB/T5783-2000	2	
11	1040300061	Washer 10-200HV GB/T97.1-2002	2	
12	1040300067	Washer 10 GB/T93-1987	2	
13	1000400039	Oil water separator assy.	1	
14	1140100592	Fitting XA15-MLWD	2	
15	1140102120	Fitting EDKO15-L	1	
16	1149900716	Transition fitting XA15-L/7/8-14UNF	2	
17	1149900185	Transition fitting E15-L	1	
18	1000400006	DC fuel pump BYPASS3000-H	1	
19	1040000204	Bolt M5x10-8.8 GB/T5783-2000	4	
20	1040300060	Washer 5 GB/T93-1987	4	
21	1040300051	Washer 6-200HV GB/T97.1-2002	4	
22	1000400001	Fuel pre-filter FS9356	1	
23	1990200010	Nylon strap 8x175(Black) NZ-66-140-2	5	

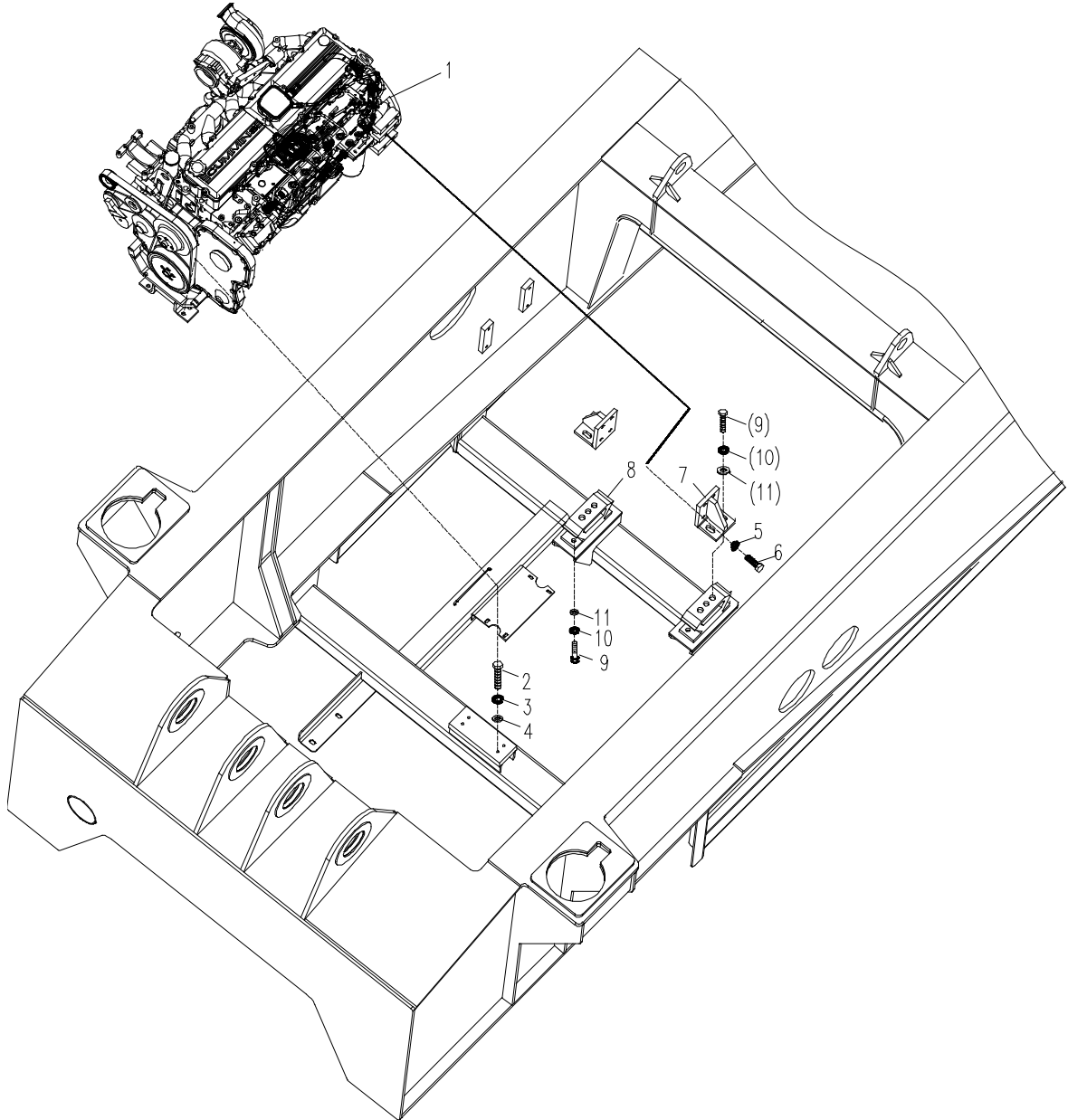
COOLLING SYSTEM D0066330131000000Y



COOLLING SYSTEM D0066330131000000Y

POS.	ITEM	DESCRIPTION & SPECIFICATION	QTY.	REMARKS
1	1990200527	Worm clamp	2	
2	00663201300001010	Water tank hose $\odot 8 \times 3$	1	
3	1001400003	Water inlet pipe assy.	1	
4	1990200528	Worm clamp	4	
5	00663201300001020	Water tank hose $\Phi 25$	1	
6	00663101300001010	Fitting	1	
7	1990200548	Worm clamp	2	
8	1000300013	Tank assy.	1	
9	1140201744	Water outlet hose assy.	1	
10	1040200096	Nut M12-8 GB/T6170-2000	4	
11	1040200088	Nut M12-04 GB/T6172.1-2000	4	
12	00663201300001030	Plate	2	
13	1040000216	Bolt M12x70-8.8 GB/T5783-2000	4	
14	1000300169	Fans $\Phi 762$	1	
15	1000300010	Auxiliary drive sprocket engine tape	1	
16	1040300067	Washer 10 GB/T93-1987	4	
17	1040300061	Washer 10-200HV GB/T97.1-2002	4	
18	1040000378	Bolt M10x120-10.9 GB/T5782-2000	4	
19	1000300002	Fan shim	1	
20	1000300001	Fan shim engine tape	1	
21	1990200010	Nylon strap 8x175(Black)	10	

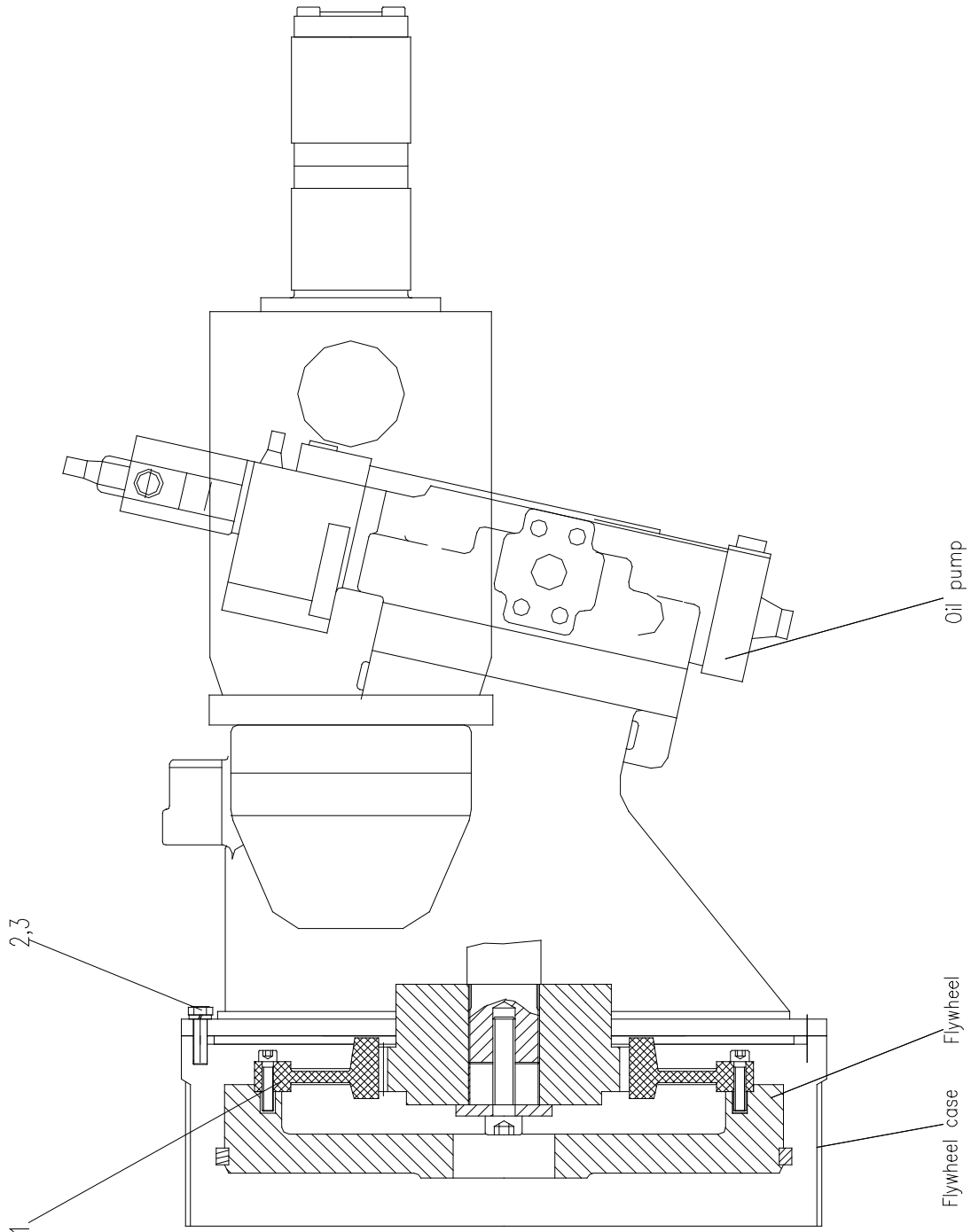
ENGINE AND SUSPENSION SYSTEM D0066340103000000Y



ENGINE AND SUSPENSION SYSTEM D0066340103000000Y

POS.	ITEM	DESCRIPTION & SPECIFICATION	QTY.	REMARKS
1	1000000004	Diesel engine	1	
2	1040000090	Bolt M10x30-8.8 GB/T5783-2000	4	
3	1040300061	Washer 10-200HV GB/T97.1-2002	4	
4	1040300067	Washer 10 GB/T93-1987	4	
5	1040000094	Bolt M12x35-8.8 GB/T5783-2000	8	
6	1040300054	Washer 12 GB/T93-1987	8	
7	00663201000200000	Engine rear support	2	
8	1001500001	Wedge support assy.	2	
9	1040000061	Bolt M16x1.5x40-8.8 GB/T5786-2000	8	
10	1040300065	Washer 16 GB/T93-1987	8	
11	1040300052	Washer 16-200HV GB/T97.1-2002	8	
12	204100001	Diesel oil CH-4 15W/40 -25°C—40°C	23 L	
12	204100002	Diesel oil (below-35°C)	23 L	
13	202270003	FD-1 multi-purpose antifreeze fluid	52 L	
13	202270000	FD-2B multi-purpose antifreeze fluid 40°C	52 L	

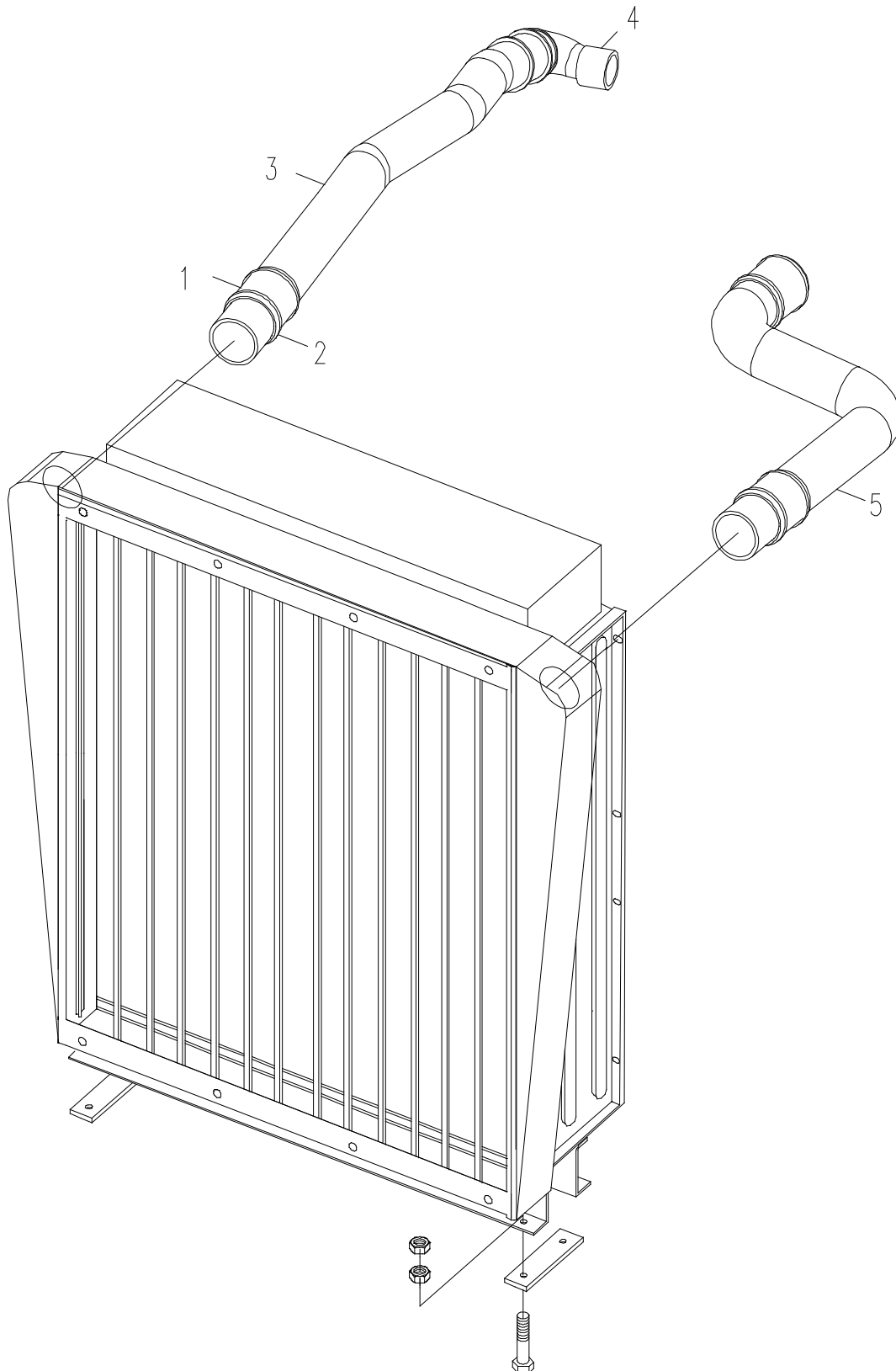
OIL PUMP DRIVE SYSTEM D0066320390000000Y



OIL PUMP DRIVE SYSTEM D00663203900000000Y

POS.	ITEM	DESCRIPTION & SPECIFICATION	QTY.	REMARKS
1	1030400000	Coupling	1	
2	1040000122	Bolt M10x35-8.8 GB/T5783-2000	12	
3	1040300067	Washer 10 GB/T93-1987	12	
6	202230016	Loctite glue	1	
7	204110014	Lithium base grease	1	

INTERCOOLING SYSTEM D0066320090000000Y



INTERCOOLING SYSTEM D00663200900000000Y

POS.	ITEM	DESCRIPTION & SPECIFICATION	QTY.	REMARKS
1	1001400022	Multi-layer corrugated pipe $\phi 100 \times \phi 110 \times 120$ (With anti-explosion clamp) 2109-0100	4	
2	1990200524	Intercooling pipe clamp $\phi 112$	8	
3	1001400014	Intercooling pipe Q7109-0610-0000	1	
4	1001400010	Pipe engine tape IT9008	1	
5	1001400013	Intercooling pipe Q7109-0620-0000	1	

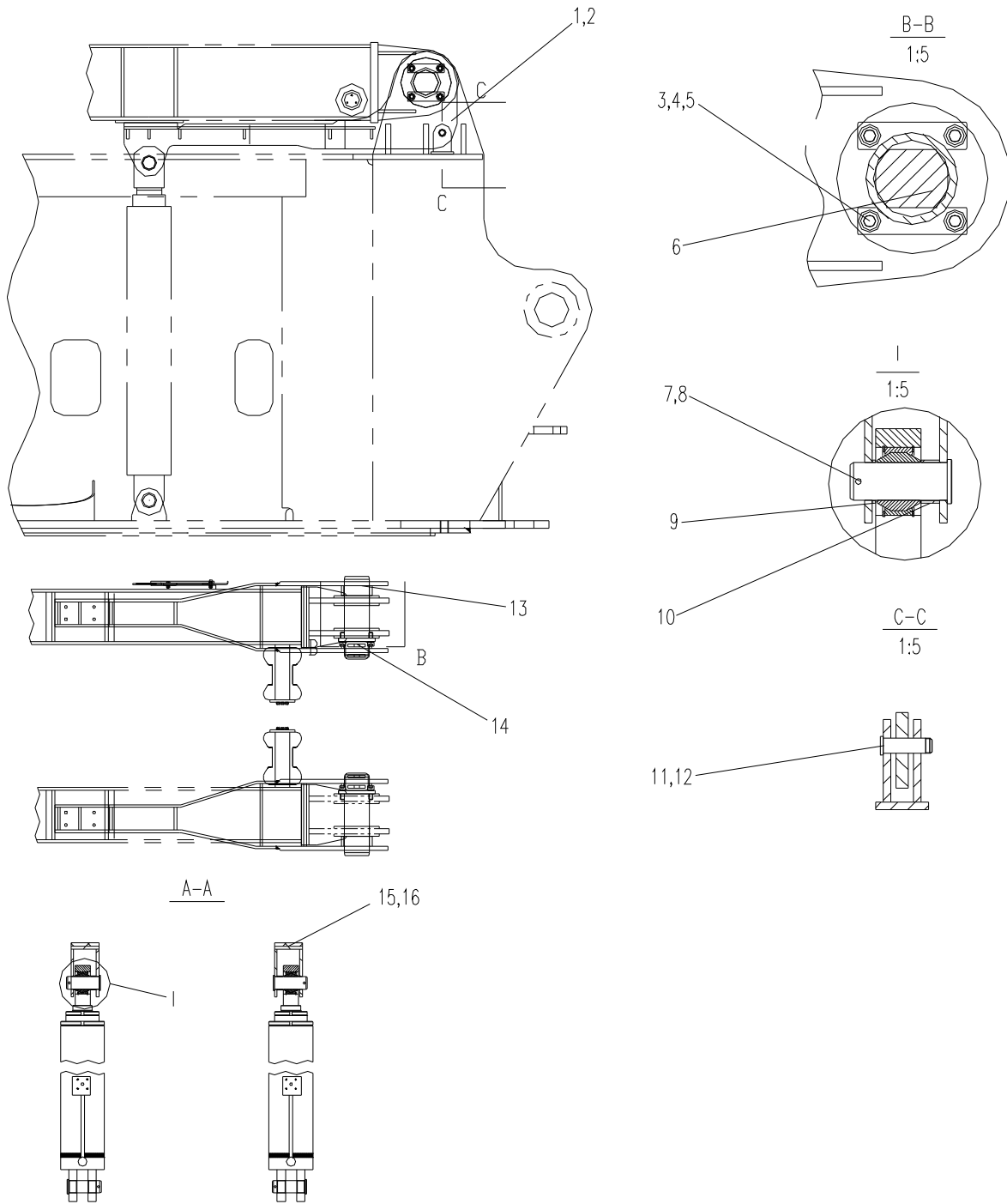


Crawler Crane Spare Parts Catalog

Chapter 4 Slewing table system



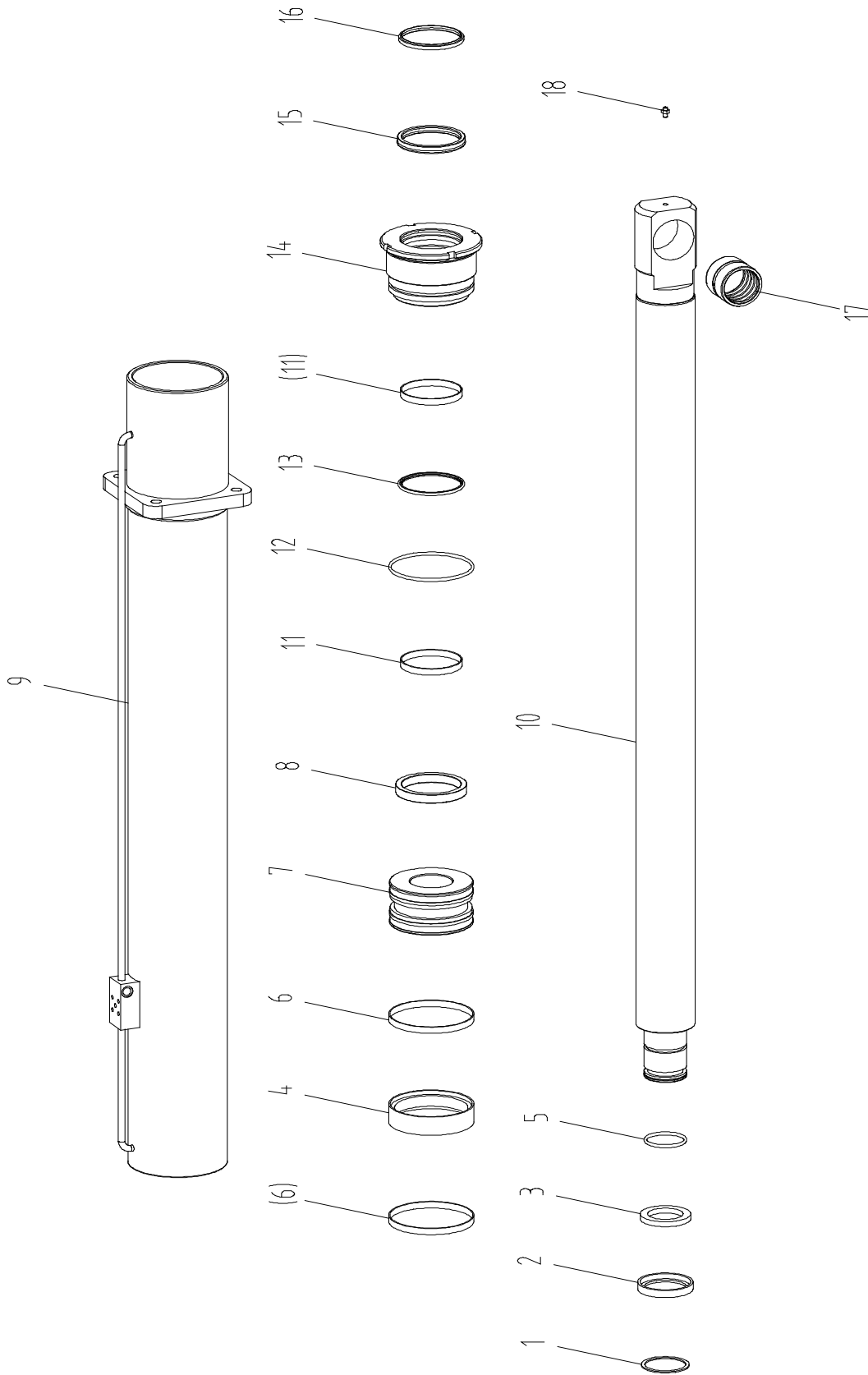
A-FRAME ERECTION MECHANISM ASSEMBLY
D0066340190000001Y



A-FRAME ERECTION MECHANISM ASSEMBLY
D0066340190000001Y

POS.	ITEM	DESCRIPTION & SPECIFICATION	QTY.	REMARKS
1	00663401900400000	Left support	1	
2	00663401900600000	Right support	1	
3	1040100094	Screw M16×40-8.8 GB/T70.1-2000	8	
4	1040300065	Washer 16 GB/T93-1987	8	
5	00663401900001020	Retaining plate	4	
6	00663401900001030	Shaft	2	
7	00663401900001040	Pin spindle	4	
8	1040500173	Cotter pin 6.3×80 GB/T91-2000	4	
9	00663301900001061	Spacing sleeve	2	
10	00663301900001070	Spacing sleeve	6	
11	1040500054	Cotter pin 4×40 GB/T91-2000	2	
12	1040500086	Pin spindle B20×65 GB/T882-1986	2	
13	00663401900001050	Spacing sleeve	2	
14	00663401900001060	Spacing sleeve	2	
15	00663301900001050	Cushion block	2	
16	1040100109	Screw M10×25-4.8 GB/T819.1-2000	8	

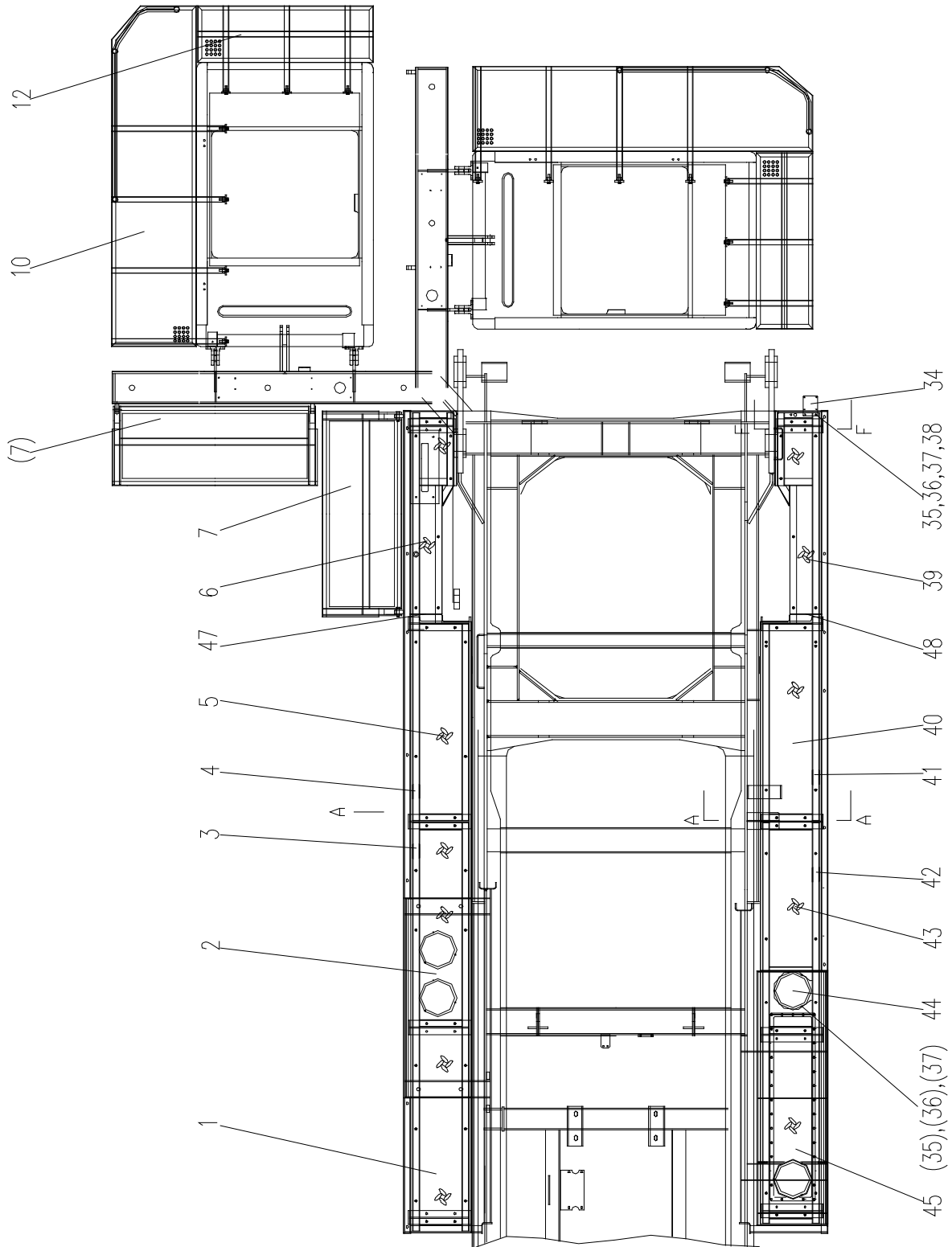
COUNTERWEIGHT INSTALLATION CYLINDER D1010200006Y



COUNTERWEIGHT INSTALLATION CYLINDER D1010200006Y

POS.	ITEM	DESCRIPTION & SPECIFICATION	QTY.	REMARKS
1	1040301273	Retaining ring 90	1	
2	00663208423700006	Ring	1	
3	00663208423700005	Retaining ring	1	
4	1081000223	Combination seal ring 180×155×25.4	1	
5	1081000020	O-ring 90×5.7	1	
6	1081400895	Guide ring 180×175×15	2	
7	00663408413700001	Piston	1	
8	00663208423700004	Spacing sleeve	1	
9	00663408413701000	Cylinder	1	
10	00663208423702000	Piston rod	1	
11	1081400762	Guide ring 130×125×15	2	
12	1081000067	O-ring 180×5.7	1	
13	1081002432	Step seal 125×140.1×6.3	1	
14	00663408413700002	Guide ring	1	
15	1081002294	U-ring 125×145×16	1	
16	1081001035	Dust-ring 125×137×8.2	1	
17	011299903A0000050	Bi-metal bushing	1	
18	1080000270	Oil cup M10×1	1	

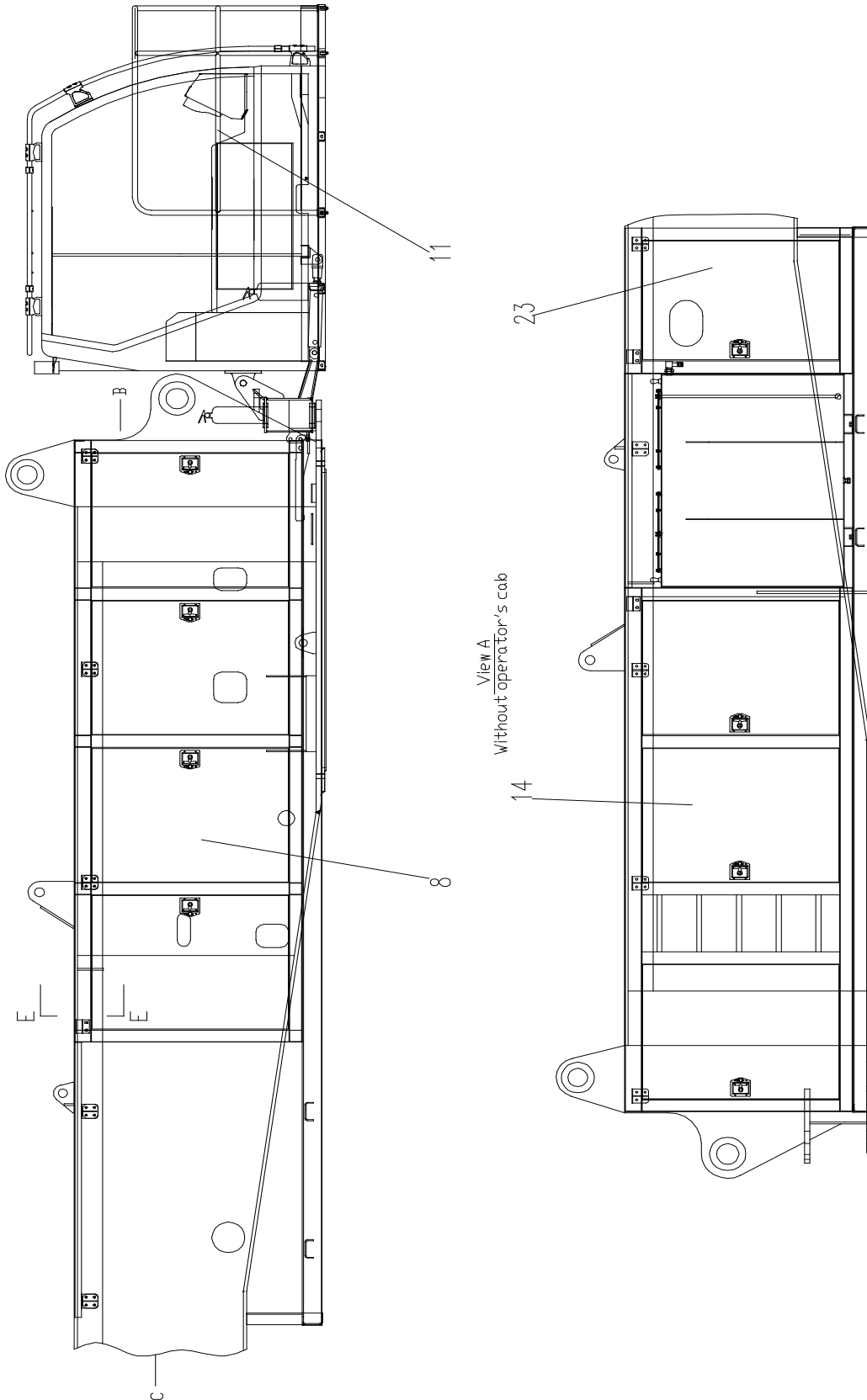
BOARDING ASSY. D0066340051000000Y



BOARDING ASSY. D0066340051000000Y

POS.	ITEM	DESCRIPTION & SPECIFICATION	QTY.	REMARKS
1	00663400510001010	Platform	1	
2	00663400510001020	Platform	1	
3	00663400510200000	Carrier	1	
4	00663400510400001	Carrier	1	
5	00663400510001031	Platform	1	
6	00663400510001040	Platform	1	
7	00663500501800000	Platform	2	
8	1991900545	Hood	1	
10	00662100500240000	Platform	1	
11	00662100500210000	Operator's cab guard rail	1	
12	00662100500230000	Platform	1	
13	00663400510001050	Closed plate	1	
14	1991900546	Hood	1	
15	00663400510001060	Closed plate	1	
16	1040000108	Bolt	52	
17	1040300054	Washer	91	
18	1040000288	Bolt	82	
19	1040300063	Washer	82	
20	1040300066	Washer	164	
21	1040200192	Nut	58	
22	00663400510600000	Support	6	
23	1991900547	Hood	1	
24	1040000101	Bolt	24	
25	1040300041	Washer	93	
26	1040200096	Nut	60	
27	00663500500001050	Plate	2	
28	00663500500001040	Cotter pin	8	
29	006340000032	Retaining spring (D16,18,20)	8	
30	1040000094	Bolt	26	
31	00662100500201010	Bolt	7	
32	1040000154	Chuck plate	7	
33	00663400510001090	Closed plate	1	
34	00663400500001140	Tri-color light mounting bracket	1	
35	1040000233	Bolt	14	

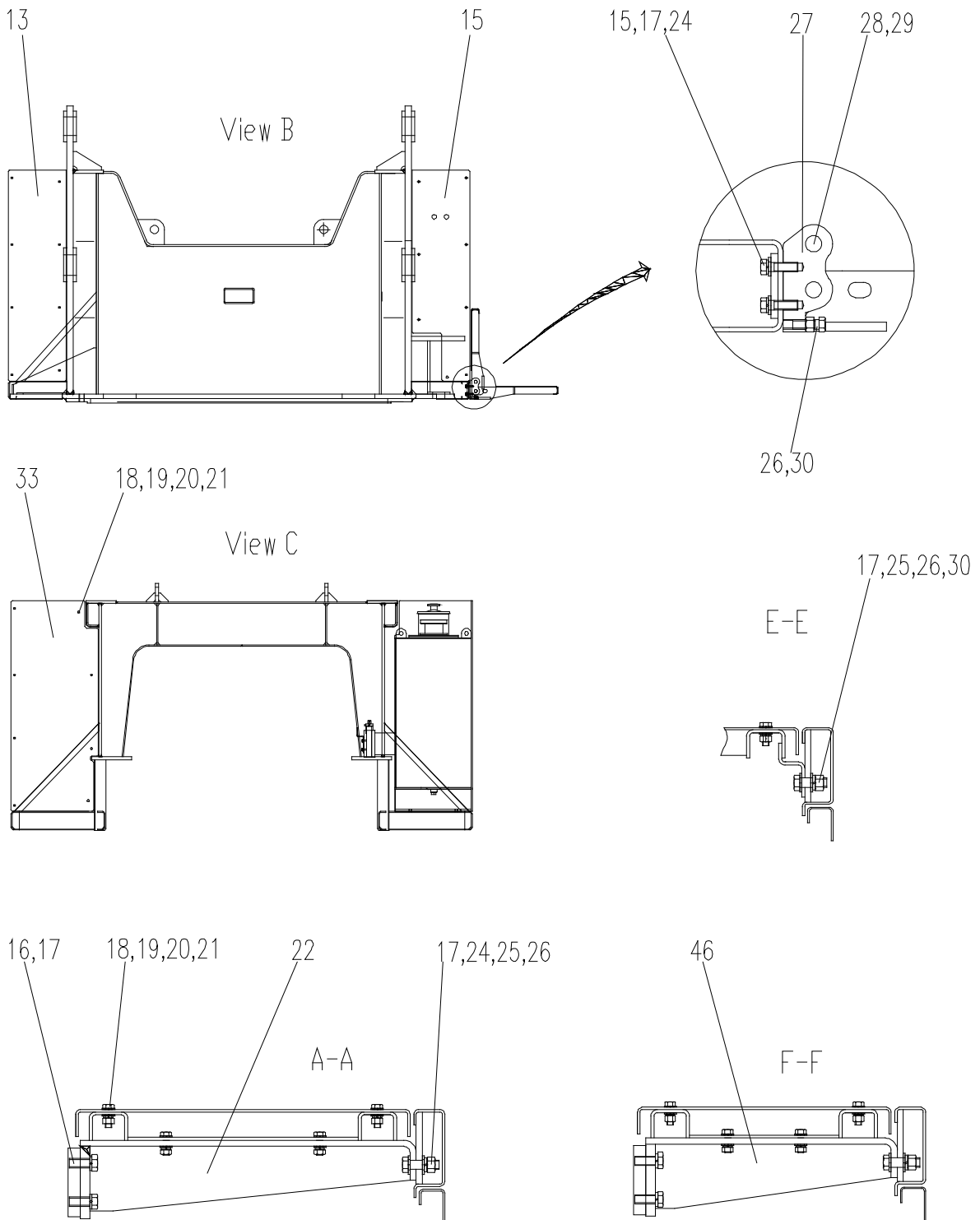
BOARDING ASSY. D0066340051000000Y



BOARDING ASSY. D0066340051000000Y

POS.	ITEM	DESCRIPTION & SPECIFICATION	QTY.	REMARKS
36	1040300051	Washer	14	
37	1040300062	Washer	14	
38	1040200111	Nut	2	
39	00663400510001100	Platform	1	
40	00663400510001111	Platform	1	
41	00663400510800001	Carrier	1	
42	00663400511000000	Carrier	1	
43	00663400510001120	Platform	1	
44	00663400500001130	Cover plate	4	
45	00663400510001130	Platform	1	
46	00663400511200000	Support	2	
47	00663400511600000	Support	1	
48	00663400511400000	Support	1	

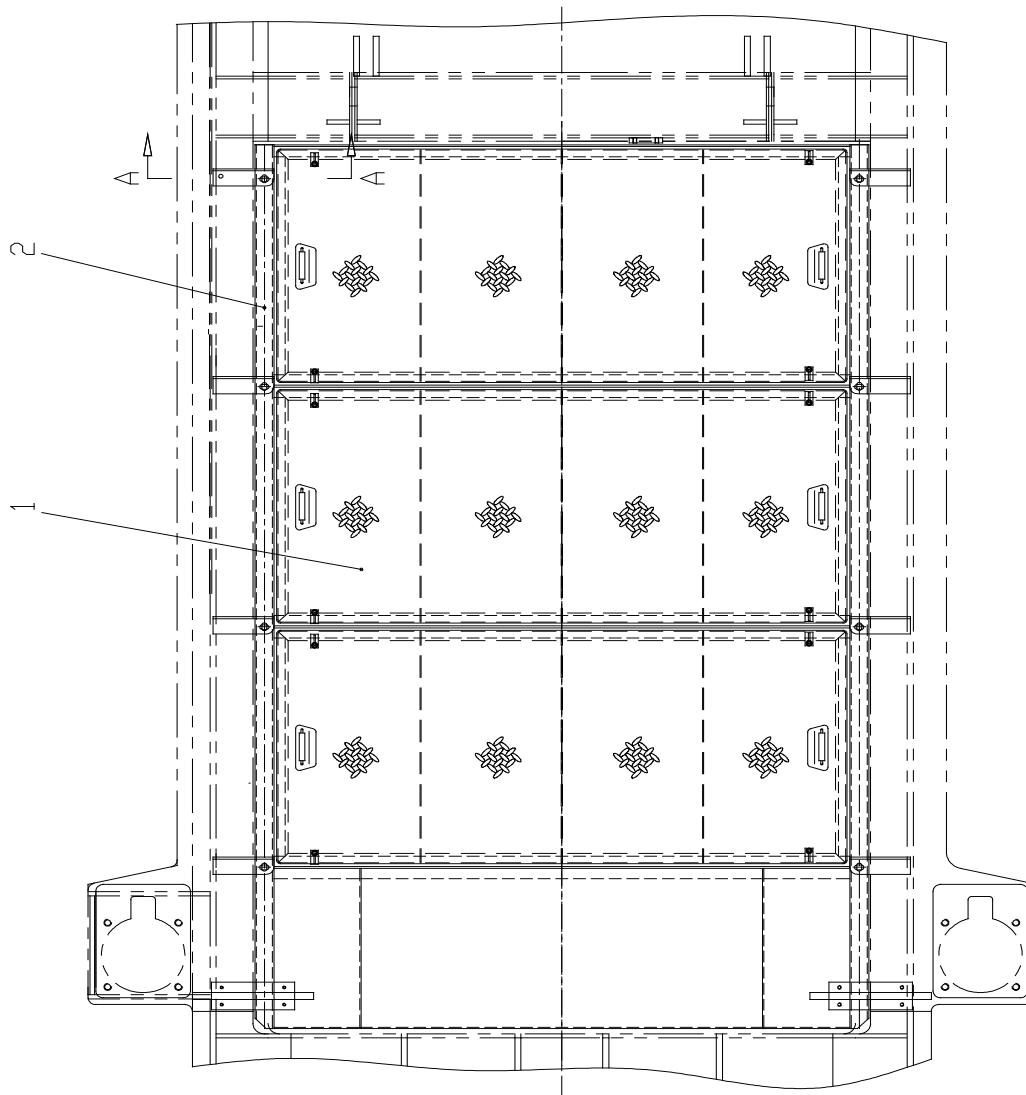
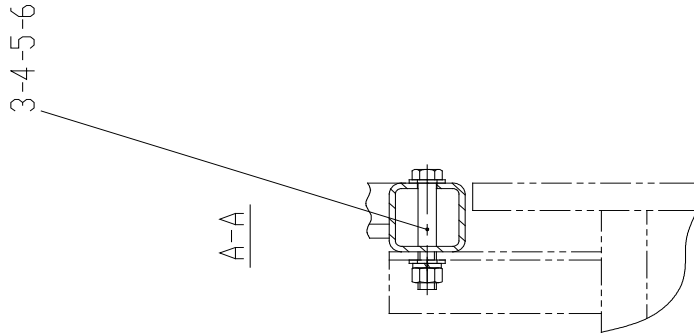
BOARDING ASSY. D0066340051000000Y



BOARDING ASSY. D0066340051000000Y

POS.	ITEM	DESCRIPTION & SPECIFICATION	QTY.	REMARKS
1	00663400510001010	Platform	1	
2	00663400510001020	Platform	1	
3	00663400510200000	Carrier	1	
4	00663400510400001	Carrier	1	
5	00663400510001031	Platform	1	
6	00663400510001040	Platform	1	
7	00663500501800000	Platform	2	
8	1991900545	Hood	1	
10	00662100500240000	Platform	1	
11	00662100500210000	Operator's cab guard rail	1	
12	00662100500230000	Platform	1	
13	00663400510001050	Closed plate	1	
14	1991900546	Hood	1	
15	00663400510001060	Closed plate	1	
16	1040000108	Bolt	52	
17	1040300054	Washer	91	
18	1040000288	Bolt	82	
19	1040300063	Washer	82	
20	1040300066	Washer	164	
21	1040200192	Nut	58	
22	00663400510600000	Support	6	
23	1991900547	Hood	1	
24	1040000101	Bolt	24	
25	1040300041	Washer	93	
26	1040200096	Nut	60	
27	00663500500001050	Plate	2	
28	00663500500001040	Cotter pin	8	
29	006340000032	Retaining spring (D16,18,20)	8	
30	1040000094	Bolt	26	
31	00662100500201010	Bolt	7	
32	1040000154	Chuck plate	7	
33	00663400510001090	Closed plate	1	
34	00663400500001140	Tri-color light mounting bracket	1	
46	00663400511200000	Support	2	

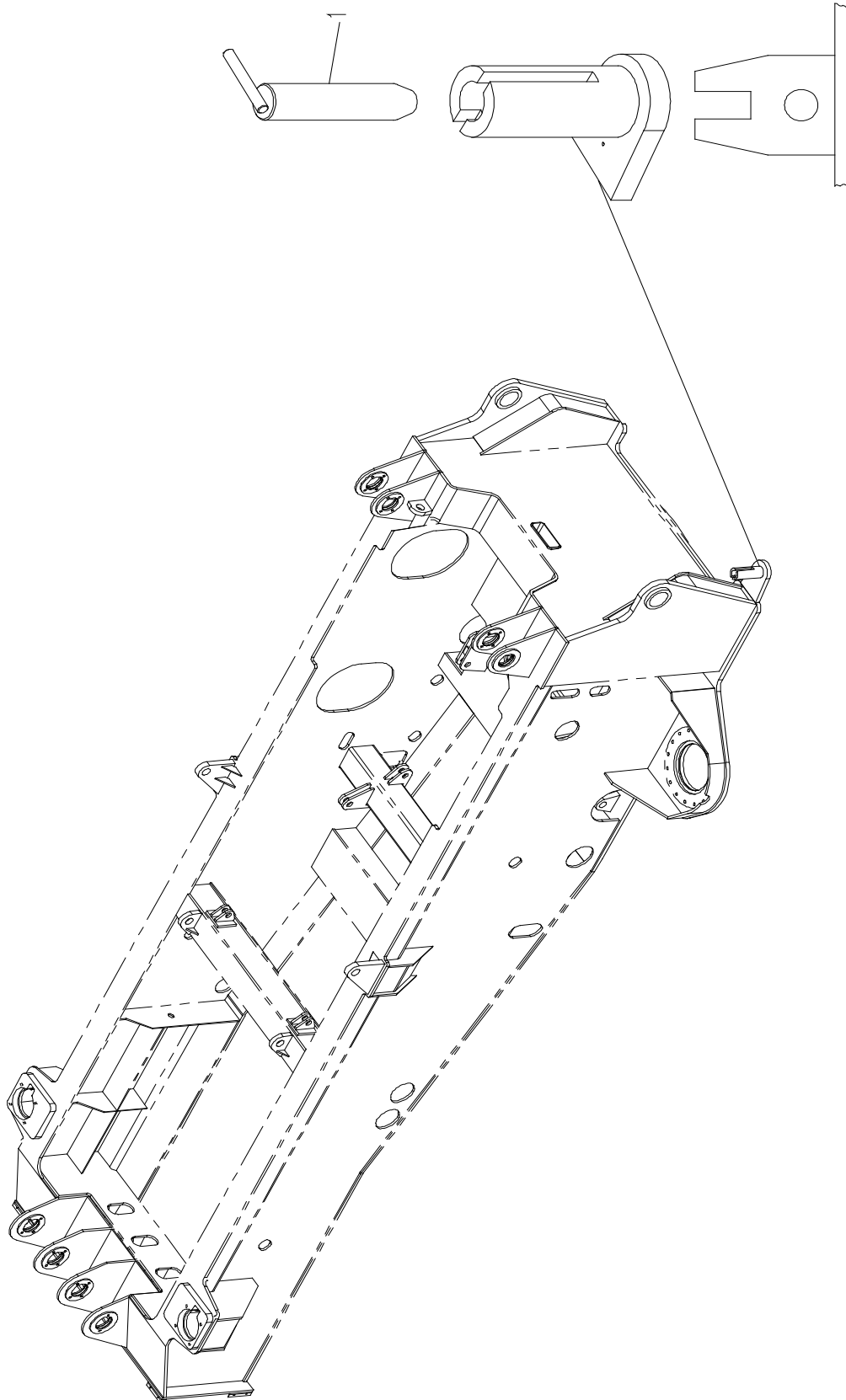
ENGINE UPPER SEALING PLATE D00663405110200000Y



ENGINE UPPER SEALING PLATE D0066340511020000Y

POS.	ITEM	DESCRIPTION & SPECIFICATION	QTY.	REMARKS
1	1991900544	Engine platform	3	
2	00663405110210000	Support	1	
3	1040300041	Washer	16	
4	1040300054	Washer	8	
5	1040200096	Nut	8	
6	1040000017	Bolt	8	

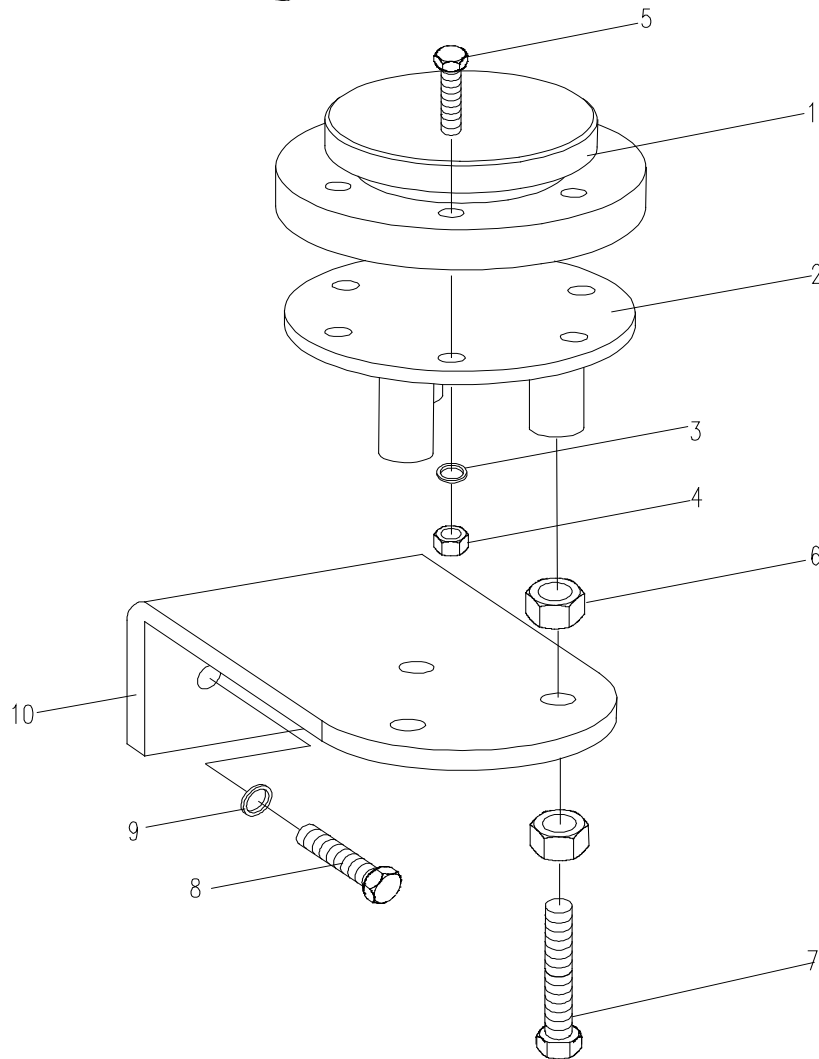
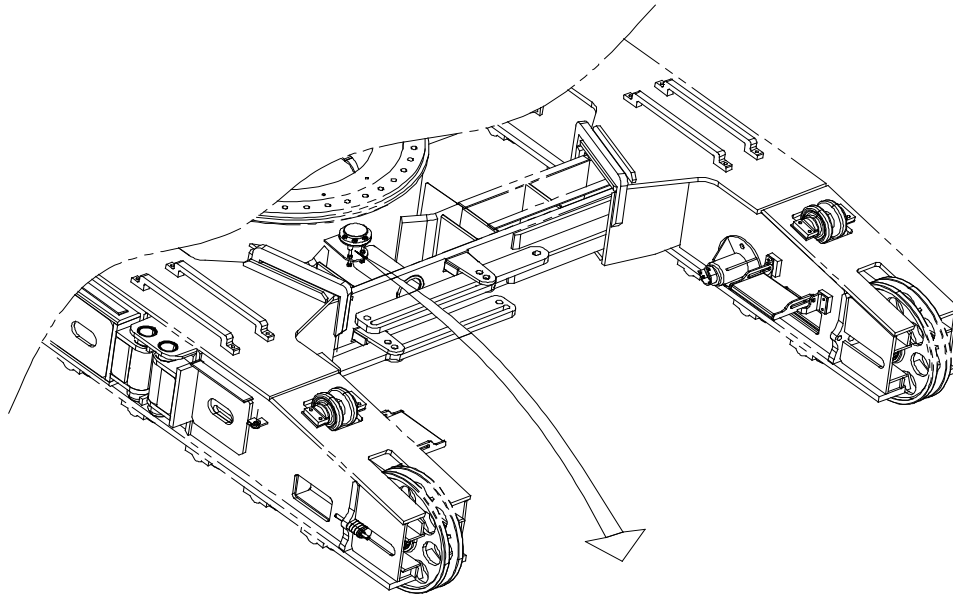
FIXXING DEVICE FOR SLEWING TABLE D00663404710200000Y



FIXXING DEVICE FOR SLEWING TABLE D00663404710200000Y

POS.	ITEM	DESCRIPTION & SPECIFICATION	QTY.	REMARKS
1	00663304700220000	Pin spindle	1	

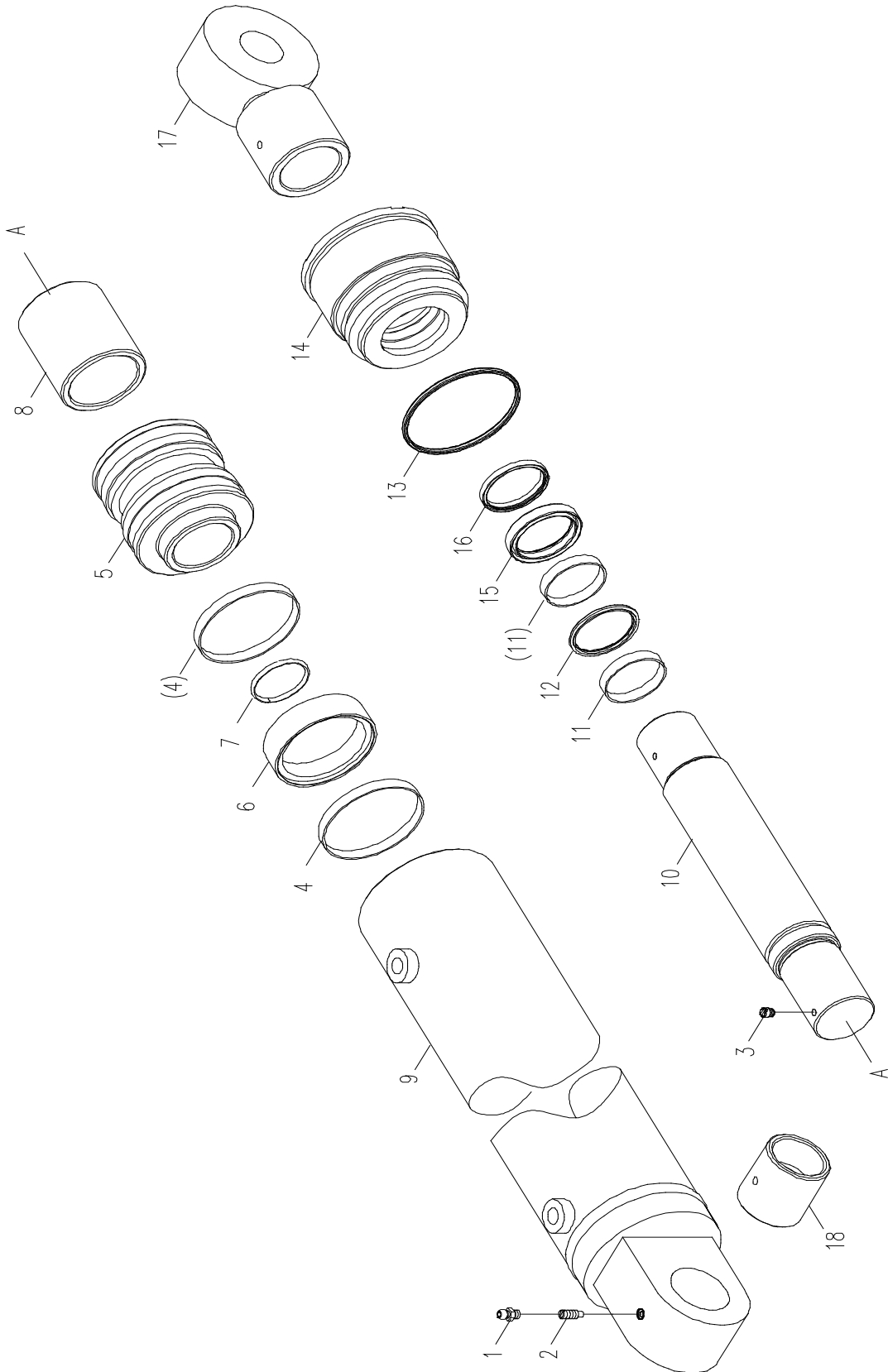
INCLINOMETER INSTALLATION D0066340470100000Y



INCLINOMETER INSTALLATION D0066340470100000Y

POS.	ITEM	DESCRIPTION & SPECIFICATION	QTY.	REMARKS
1	1991800006	Inclinometer	1	
2	00633200100400000	Seat plate	1	
3	1040300062	Washer 6 GB/T93-1987	3	
4	1040200111	Nut M6-8 GB/T6170-2000	3	
5	1040000076	Bolt M6×25-8.8 GB/T5783-2000	3	
6	1040200192	Nut M8-8 GB/T6170-2000	6	
7	1040000077	Bolt M8×40-8.8 GB/T5783-2000	3	
8	1040000288	Bolt M8×25-8.8 GB/T5783-2000	2	
9	1040300063	Washer 8 GB/T93-1987	2	
10	00663304802401030	Seat	1	

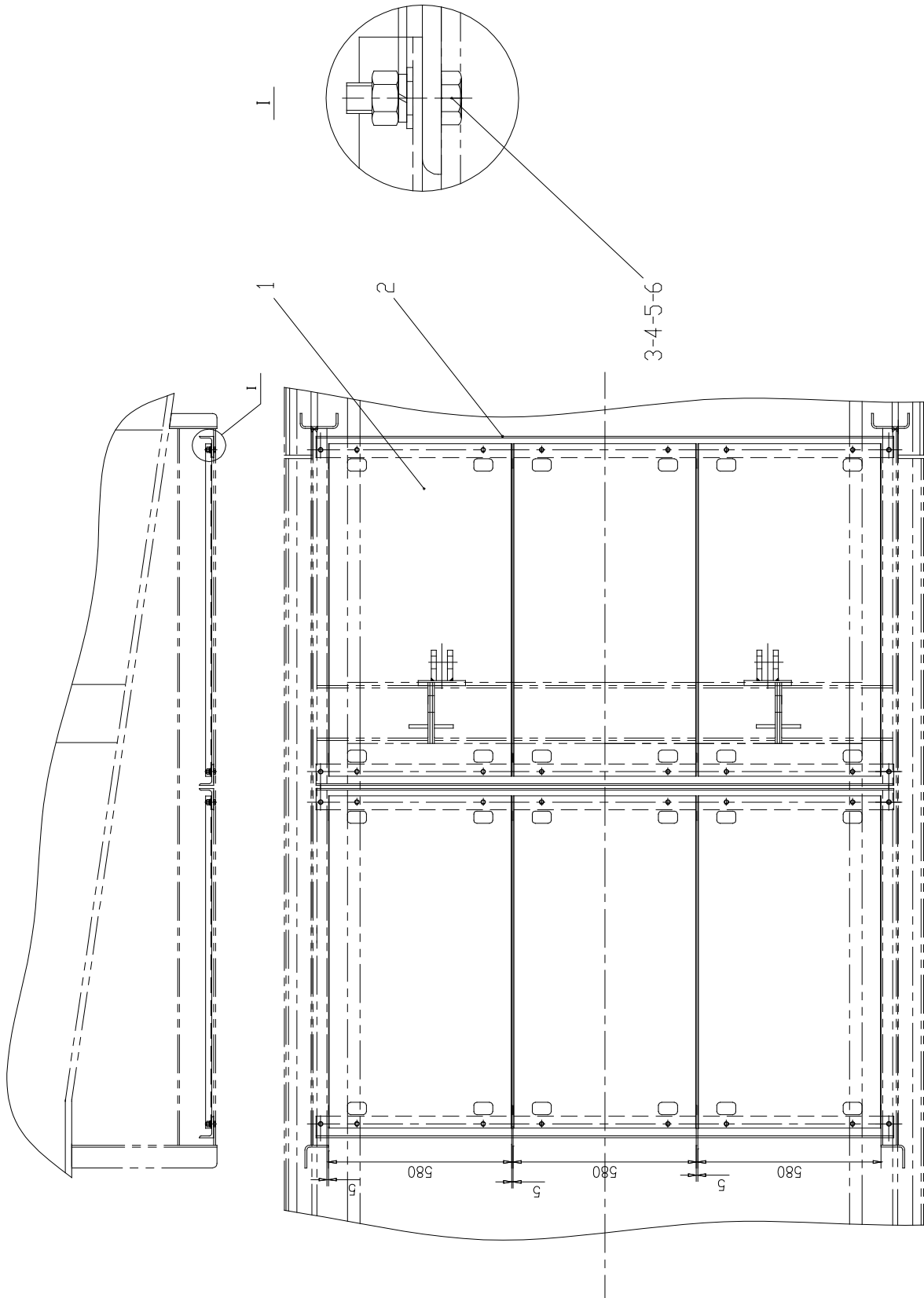
MOUNTING CYLINDER D0066340360000001Y



MOUNTING CYLINDER D0066340360000001Y

POS.	ITEM	DESCRIPTION & SPECIFICATION	QTY.	REMARKS
1	1080000001	Oil cup M10x1 GB1152-1979	1	
2	00663203400001090	Positioning pin	1	
3	1040100224	Screw M10x20-22H GB75-1985	2	
4	1081400131	Support ring GP7301400-C380	2	
5	00663403600001010	Piston	1	
6	1081000219	D-A-S combination seal ring PCB1A1400-NCRO	1	
7	1081000050	O-ring 80x5.7 GB1235-1976	1	
8	00663403600001020	Spacing sleeve	1	
9	00663403600200001	Cylinder	1	
10	00663403600001030	Piston rod	1	
11	1081400099	Support ring GR7300800-C380	2	
12	1081000212	Step seal RS1300800-T46NA	1	
13	1081000028	O-ring 140x5.7 GB1235-1976	1	
14	00663403600001040	Guide sleeve	1	
15	1081000381	U-ring 80x95x12.5 RUG600800-Z94	1	
16	1081200020	Dust ring 80x88x6 WD1700800-N9	1	
17	00663403600001050	Rod end	1	
18	00663403600001060	Sleeve	1	

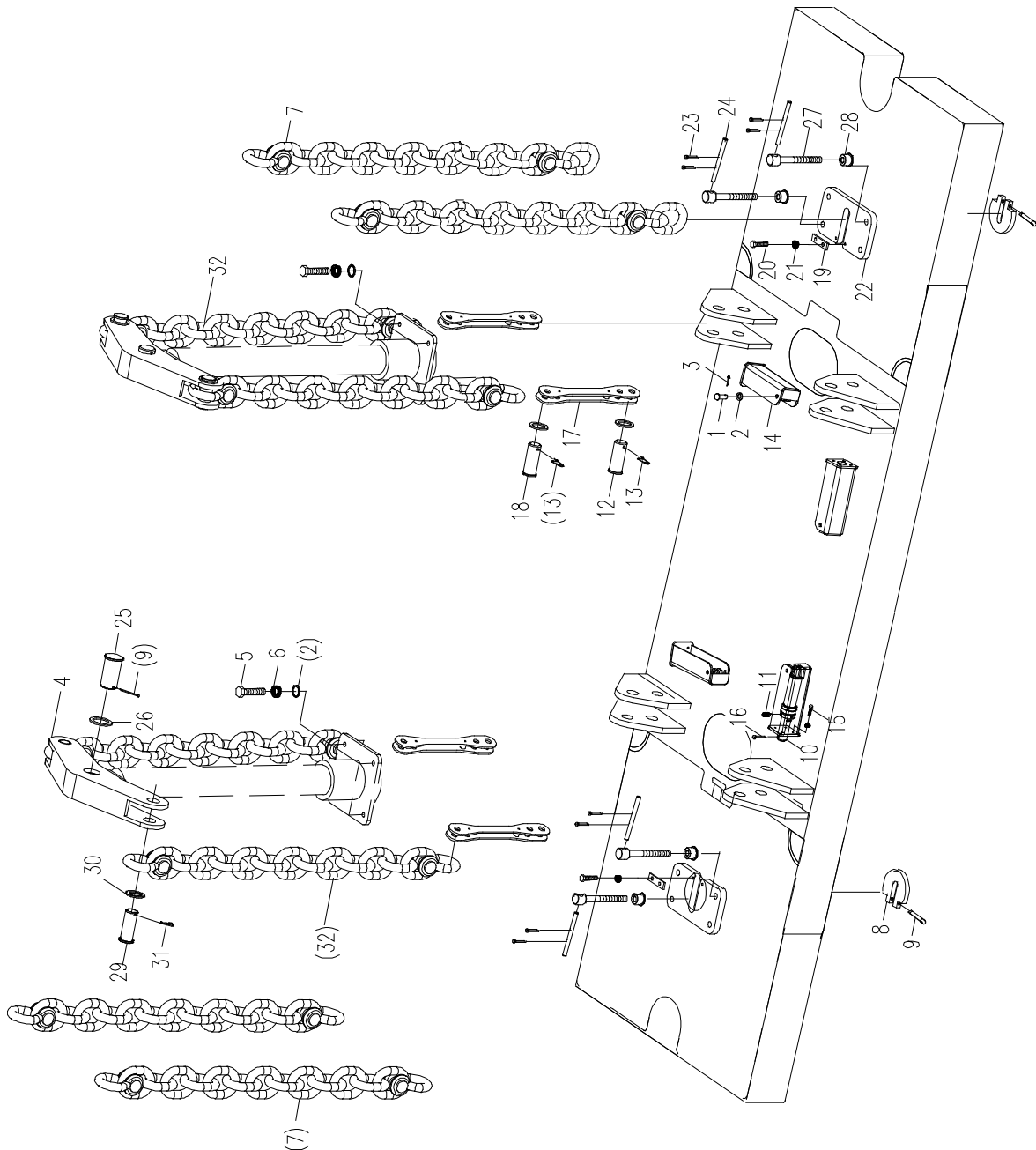
ENGINE BOTTOM SEALING PLATE D0066340511040000Y



ENGINE BOTTOM SEALING PLATE D00663405110400000Y

POS.	ITEM	DESCRIPTION & SPECIFICATION	QTY.	REMARKS
1	00663405110401010	Seal plate	6	
2	00663405110401020	Angle iron	4	
3	1040000090	Bolt GB/T5783-2000 M10×30-8.8	32	
4	1040301502	Washer GB/T93-1987 10	32	
5	1040300533	Washer GB/T97.1-2002 10	32	
6	1040200113	Nut GB/T6170-2000 M10-8	32	

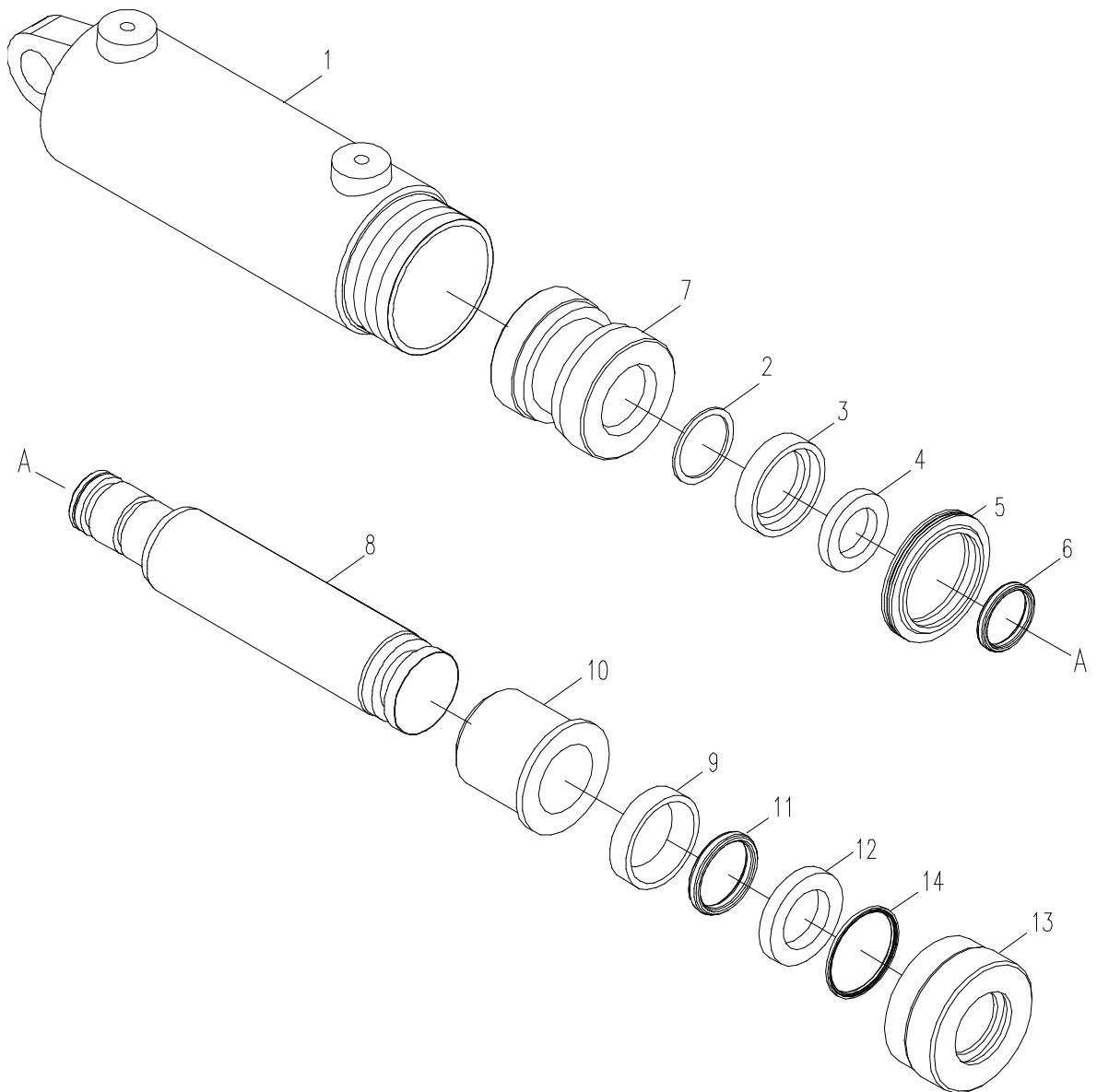
COUNTERWEIGHT ASSEMBLY D0066340492000000Y



COUNTERWEIGHT ASSEMBLY D0066340492000000Y

POS.	ITEM	DESCRIPTION & SPECIFICATION	QTY.	REMARKS
1	1040500034	Pin spindle B20x60 GB/T882-1986	4	
2	1040300106	Washer 20-200HV GB/T97.1-2002	12	
3	1040500005	Cotter pin 5x45 GB/T91-2000	4	
4	00663404900200000	Supporting beam	2	
5	1040000089	Bolt M20x80-8.8 GB/T5782-2000	8	
6	1040300038	Washer 20 GB/T93-1987	8	
7	1090100982	Counterweight chain φ22x66-3542 ST095-49	2	
8	00663404910001010	Retaining plate	2	
9	1040500179	Cotter pin 10x120 GB/T91-2000	4	
10	00663304900001031	Pin spindle	4	
11	00663304900001060	Screw	16	
12	00663404910001020	Shaft	8	
13	00663300100001230	Retaining spring	12	
14	00663404900400000	Cylinder bracket	4	
15	1040000068	Bolt M10x50-8.8 GB/T5782-2000	16	
16	1040500186	Cotter pin 10x90 GB/T91-2000	4	
17	00663404910200001	Counterweight anchoring rod	4	
18	00663404910001030	Shaft	4	
19	00663604900201050	Retaining plate	2	
20	1040000122	Bolt M10x35-8.8 GB/T5783-2000	4	
21	1040300067	Washer 10 GB/T93-1987	8	
22	00663604900201030	Plate	2	
23	1040500003	Cotter pin 2.5x30 GB/T91-2000	4	
24	00663604900201040	Round bar	2	
25	00663304900001040	Pin spindle	2	
26	00663304900001050	Washer	2	
27	00663604900210000	Bolt assy.	8	
28	00663604900220000	Base	8	
29	00663304900001010	Pin spindle	4	
30	00663304900001020	Washer	4	
31	00663300100001090	Retaining spring	4	
32	1090100004	Single chain rigging SJL21.3A-0	4	
33	204110014	Lithium base grease ZL-2	0.1 kg	E

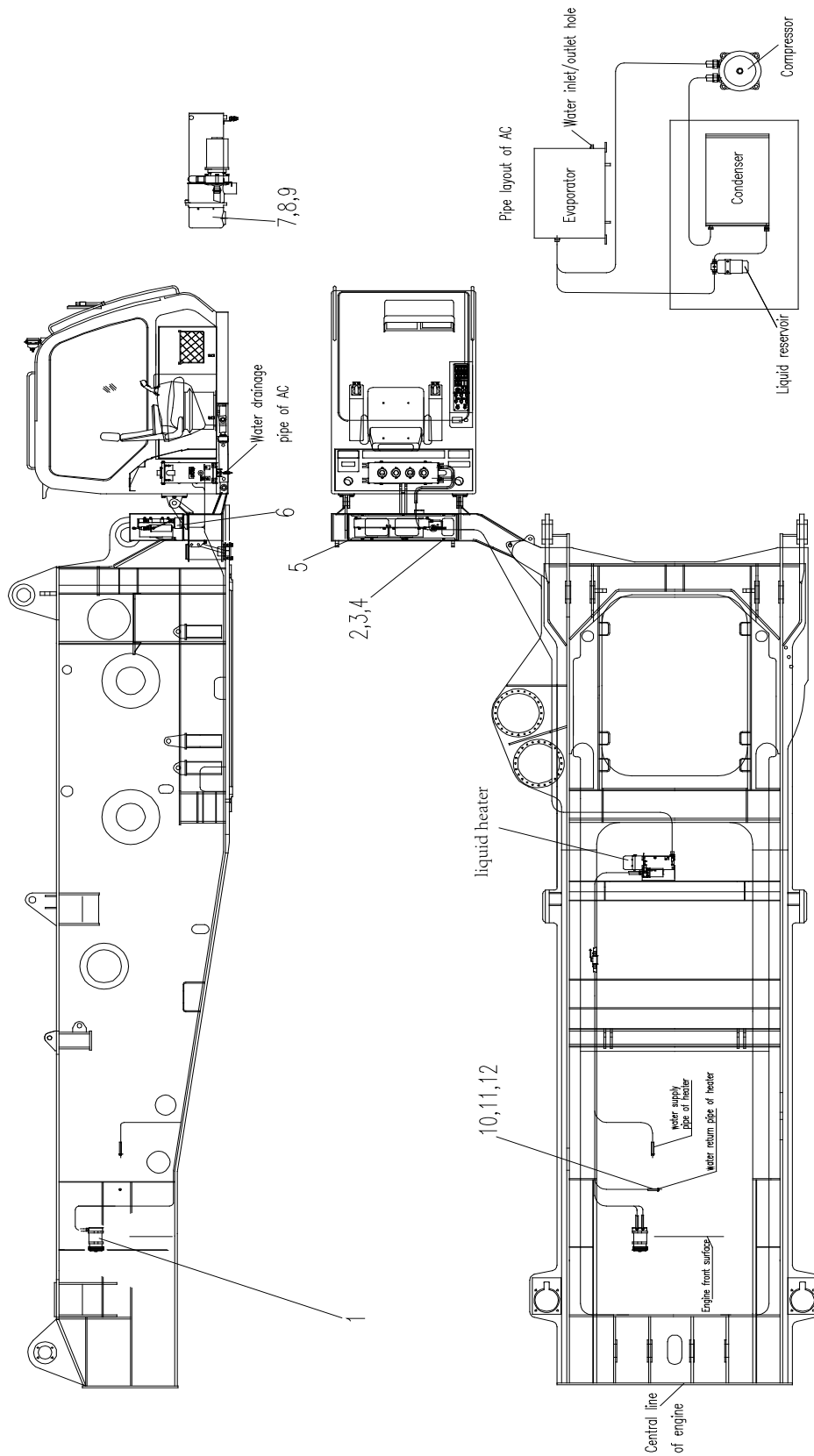
COUNTERWEIGHT BOLTING CYLINDER D0066330710000001Y



COUNTERWEIGHT BOLTING CYLINDER D0066330710000001Y

POS.	ITEM	DESCRIPTION & SPECIFICATION	QTY.	REMARKS
1	00663307100200001	Cylinder	1	
2	1040300153	Retaining ring 32 GB/T894.1-1986	1	
3	00663303200001030	Sleeve ring	1	
4	00663303200001040	Retaining ring	1	
5	1081000233	D-A-S Combination seal ring	1	
6	1081000052	O-ring 32x3.5 GB1235-1976	1	
7	00663307100001010	Piston	1	
8	00663307100001031	Piston rod	1	
9	1081400115	Support ring	1	
10	00663307100001020	Guide sleeve	1	
11	1081000027	O-ring 63x5.7 GB1235-1976	1	
12	1081000232	U-ring	1	
13	00663305300001040	Cap	1	
14	1081200014	Dust ring 45x53x6	1	

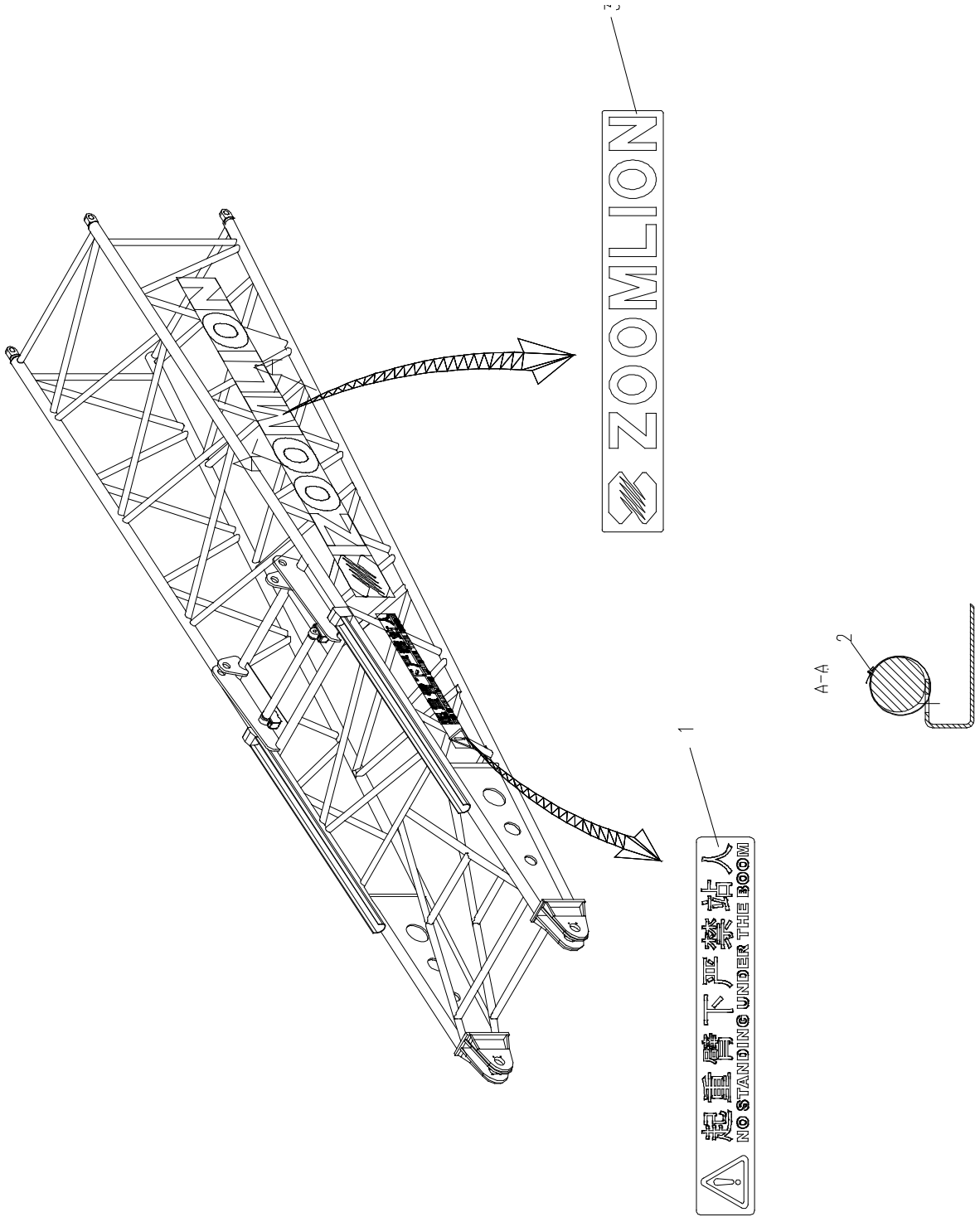
AIR CONDITIONING SYSTEM D0066340763000000Y



AIR CONDITIONING SYSTEM D0066340763000000Y

POS.	ITEM	DESCRIPTION & SPECIFICATION	QTY.	REMARKS
1	00663207600210000	Compressor bracket	1	
2	1040000018	Bolt M8×30-8.8 GB/T5783-2000	10	
3	1040300066	Washer 8-200HV GB/T97.1-2002	14	
4	1040200192	Nut M8-8 GB/T6170-2000	14	
5	00663407630001010	Protective cover	1	
6	1130100680	Cooling & heating device	1	
7	1009900052	Liquid heater	1	
8	1040300063	Washer 8 GB/T93-1987	4	
9	1040000288	Bolt M8×25-8.8 GB/T5783-2000	4	
10	00664007600001010	Fitting	1	
11	00663107600001010	Plug	1	
12	1990200007	Nylon strap 8×350(black)	40	
13	1990200519	Worm clamp	1	
14	207130011	Coolant	1	E

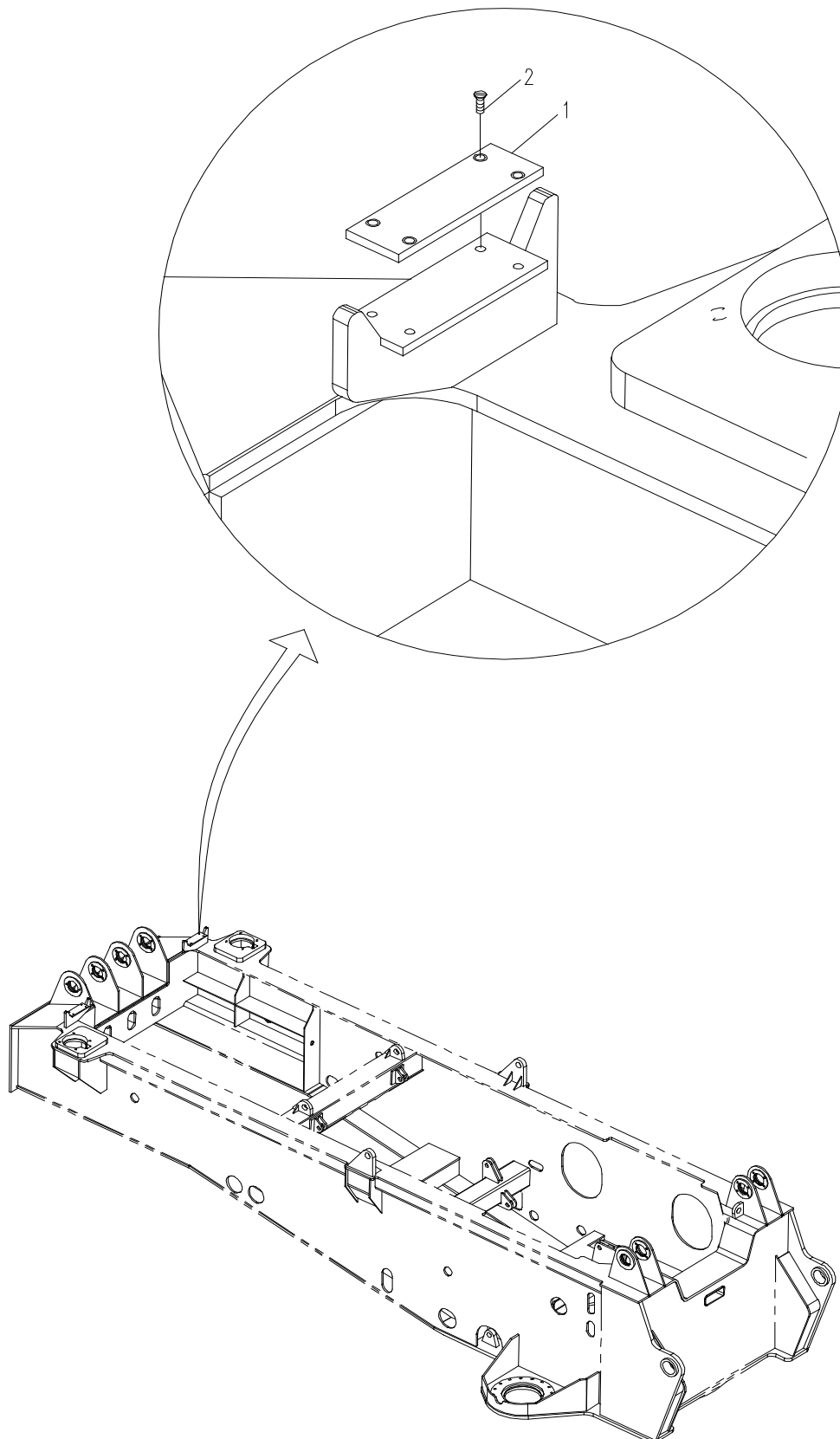
SIGN BOARD INSTALLATION D0066330470140000Y



SIGN BOARD INSTALLATION D0066330470140000Y

POS.	ITEM	DESCRIPTION & SPECIFICATION	QTY.	REMARKS
1	00663304701401010	Sign board	2	
2	1990200528	Worm clamp 50-70	20	
3	00663304701401020	Sign board	2	

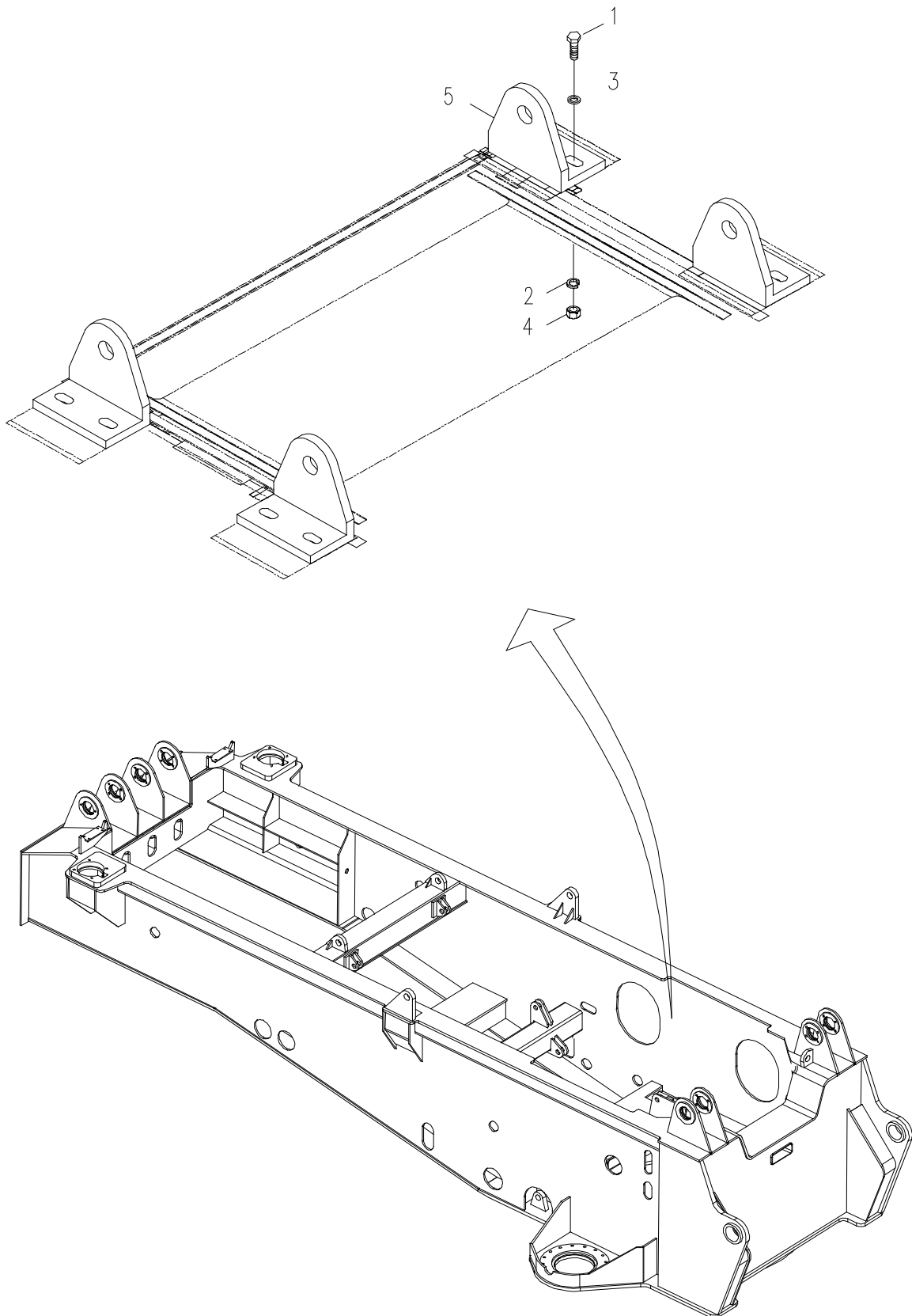
A-FRAME SUPPORT PAD ASSEMBLY D00663304701000001Y



A-FRAME SUPPORT PAD ASSEMBLY D00663304701000001Y

POS.	ITEM	DESCRIPTION & SPECIFICATION	QTY.	REMARKS
1	00663304701001010	Cushion block	2	
2	1040100082	Screw M8x25-4.8 GB/T819.1-2000	8	

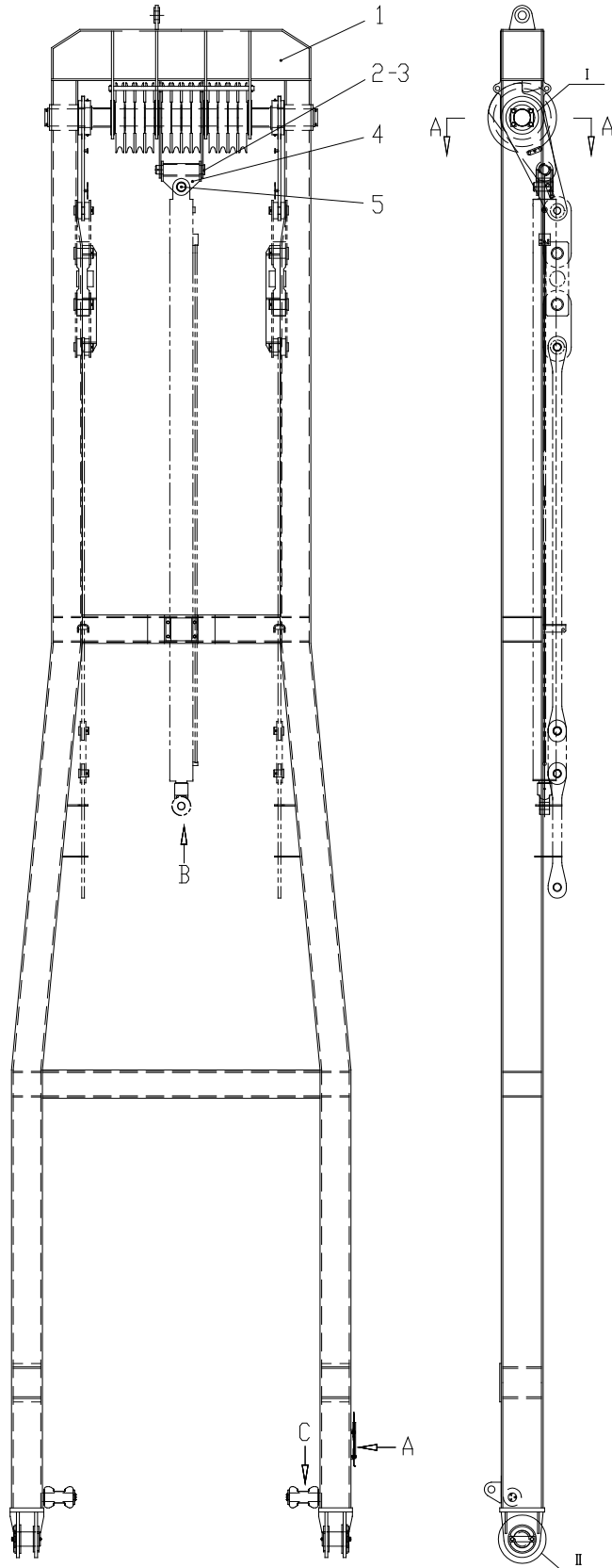
REEVING WINCH INSTALLATION D0066340470060000Y



REEVING WINCH INSTALLATION D0066340470060000Y

POS.	ITEM	DESCRIPTION & SPECIFICATION	QTY.	REMARKS
1	1040000122	Bolt M10x35-8.8 GB/T5783-2000	8	
2	1040300061	Washer 10-200HV GB/T97.1-2002	16	
3	1040300067	Washer 10 GB/T93-1987	8	
4	1040200113	Nut M10-8 GB/T6170-2000	8	
5	00663404700601010	Mounting bracket	4	

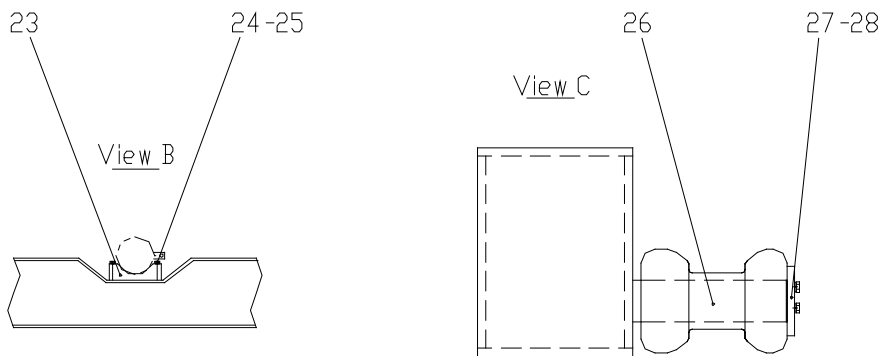
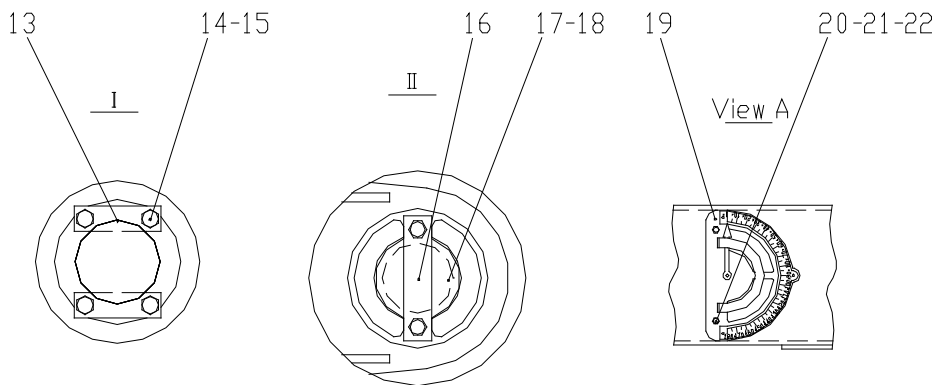
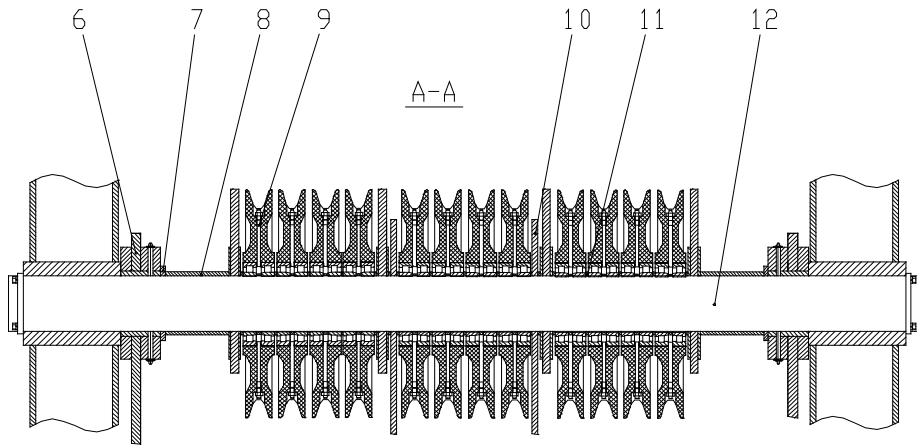
A-FRAME ASSY. D0066340181000000Y



A-FRAME ASSY. D0066340181000000Y

POS.	ITEM	DESCRIPTION & SPECIFICATION	QTY.	REMARKS
1	00663401811000000	A-frame welded assy.	1	
2	00663401810001010	Pin spindle	1	
3	00663300100001230	Retaining spring	2	
4	00663401810600000	Support	1	
5	00663401810001020	Pin spindle	1	
6	00663401810800000	Anchoring rod	2	
7	00663401810001030	Partition plate	2	
8	00663400100401391	Spacing sleeve	2	
9	00663027800420000	Pulley assy.	12	
10	00663401810001040	Plate	2	
11	00663306601001070	Spacing sleeve	17	
12	00663401810001050	Shaft	1	
13	0063400000056	Retaining plate 120	4	
14	10400000016	Bolt	12	
15	10403000065	Washer	12	
16	00663401810001060	Retaining plate	2	
17	00663401810001070	Pin spindle	2	
18	10800000003	Oil cup	2	
19	00663300102200000	Angle indicator	1	
20	10400000267	Bolt	2	
21	1040200192	Nut	2	
22	10403000063	Washer	8	
23	00663401810001080	Nylon block	1	
24	10400000225	Bolt	4	
25	10403000054	Washer	4	
26	00663401810001090	Nylon tube	2	
27	00663601800001090	Plate	2	
28	10400000018	Bolt	6	
29	204110013	Lithium base grease	1	

A-FRAME ASSY. D0066340181000000Y



A-FRAME ASSY. D0066340181000000Y

POS.	ITEM	DESCRIPTION & SPECIFICATION	QTY.	REMARKS
1	00663401811000000	A-frame welded assy.	1	
2	00663401810001010	Pin spindle	1	
3	00663300100001230	Retaining spring	2	
4	00663401810600000	Support	1	
5	00663401810001020	Pin spindle	1	
6	00663401810800000	Anchoring rod	2	
7	00663401810001030	Partition plate	2	
8	00663400100401391	Spacing sleeve	2	
9	00663027800420000	Pulley assy.	12	
10	00663401810001040	Plate	2	
11	00663306601001070	Spacing sleeve	17	
12	00663401810001050	Shaft	1	
13	0063400000056	Retaining plate 120	4	
14	10400000016	Bolt	12	
15	10403000065	Washer	12	
16	00663401810001060	Retaining plate	2	
17	00663401810001070	Pin spindle	2	
18	10800000003	Oil cup	2	
19	00663300102200000	Angle indicator	1	
20	10400000267	Bolt	2	
21	1040200192	Nut	2	
22	10403000063	Washer	8	
23	00663401810001080	Nylon block	1	
24	10400000225	Bolt	4	
25	10403000054	Washer	4	
26	00663401810001090	Nylon tube	2	
27	00663601800001090	Plate	2	
28	10400000018	Bolt	6	
29	204110013	Lithium base grease	1	

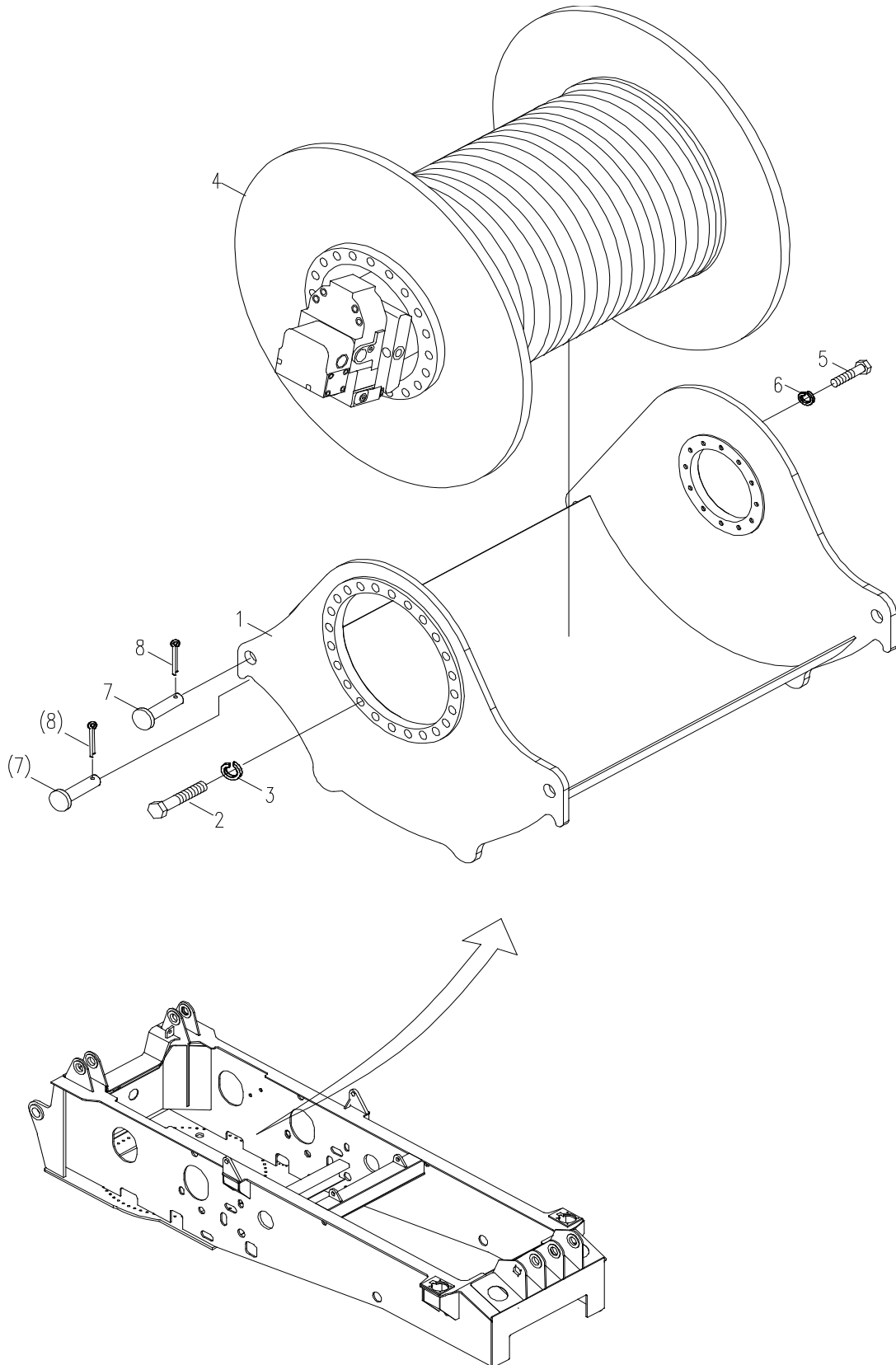


Crawler Crane Spare Parts Catalog

Chapter 5 Hoisting winch



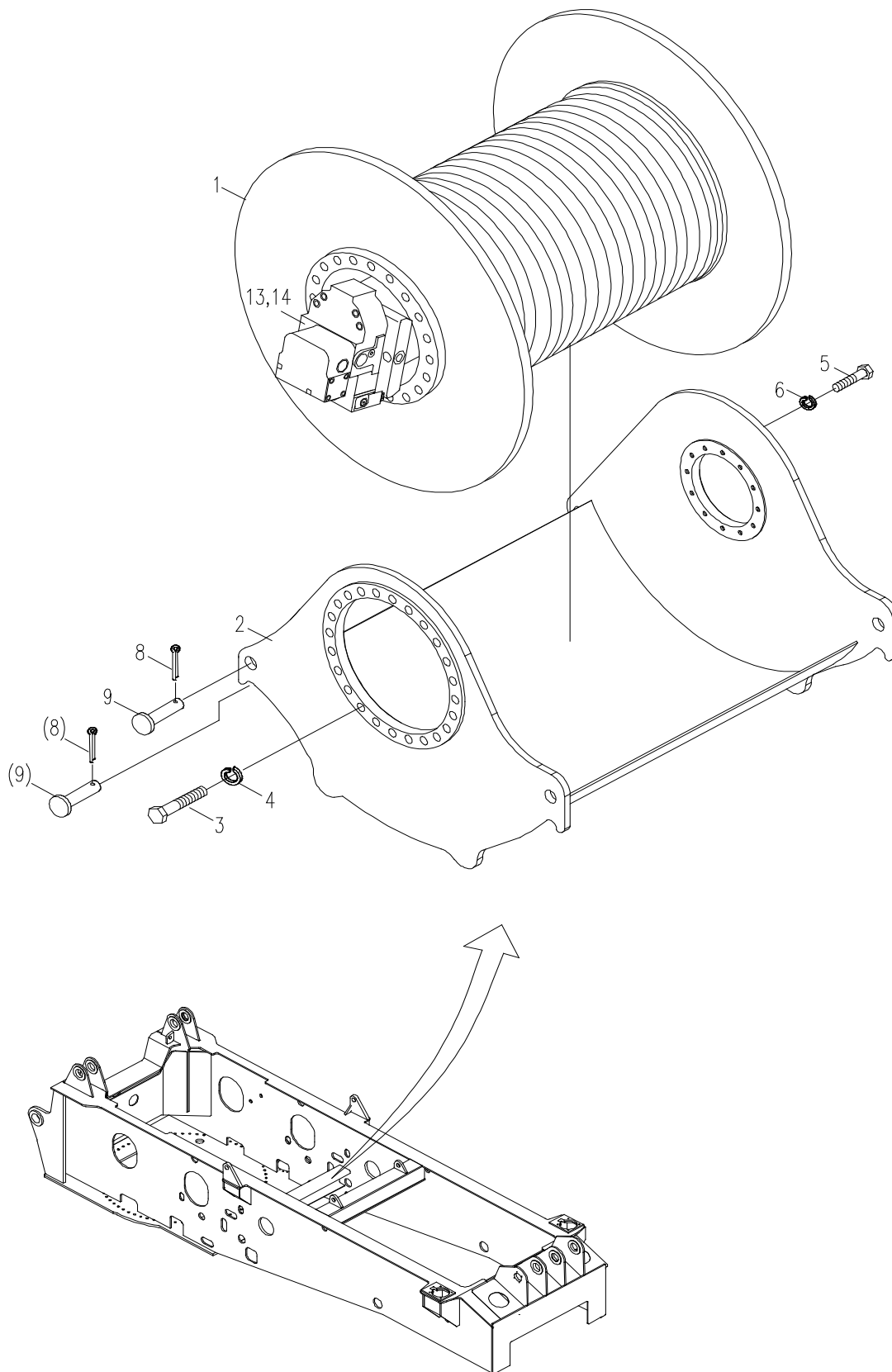
MAIN HOISTING MECHANISM D0066340352020000Y



MAIN HOISTING MECHANISM D0066340352020000Y

POS.	ITEM	DESCRIPTION & SPECIFICATION	QTY.	REMARKS
1	00663403520210000	Winch support	1	
2	1040000141	Screw M24×80-8.8 GB/T5782-2000	24	
3	1040300049	Washer 24 GB/T93-1987	24	
4	1030200608	Winch reducer + motor + sensor	1	
5	1040000198	Bolt M16×50-8.8 GB/T5783-2000	12	
6	1040300065	Washer 16 GB/T93-1987	12	
7	00663308000001020	Pin spindle	8	
8	1040500047	Cotter pin 5×70 GB/T91-2000	8	
9	00663403520420000	Pipeline assy. For maintenance	1	E
10	204110014	Lithium base grease ZL-2	0.01 g	E
11	204050019	Industrial closed gear oil L-CKD220	9 L	E
12	202230016	Loctite glue	0.1 g	E

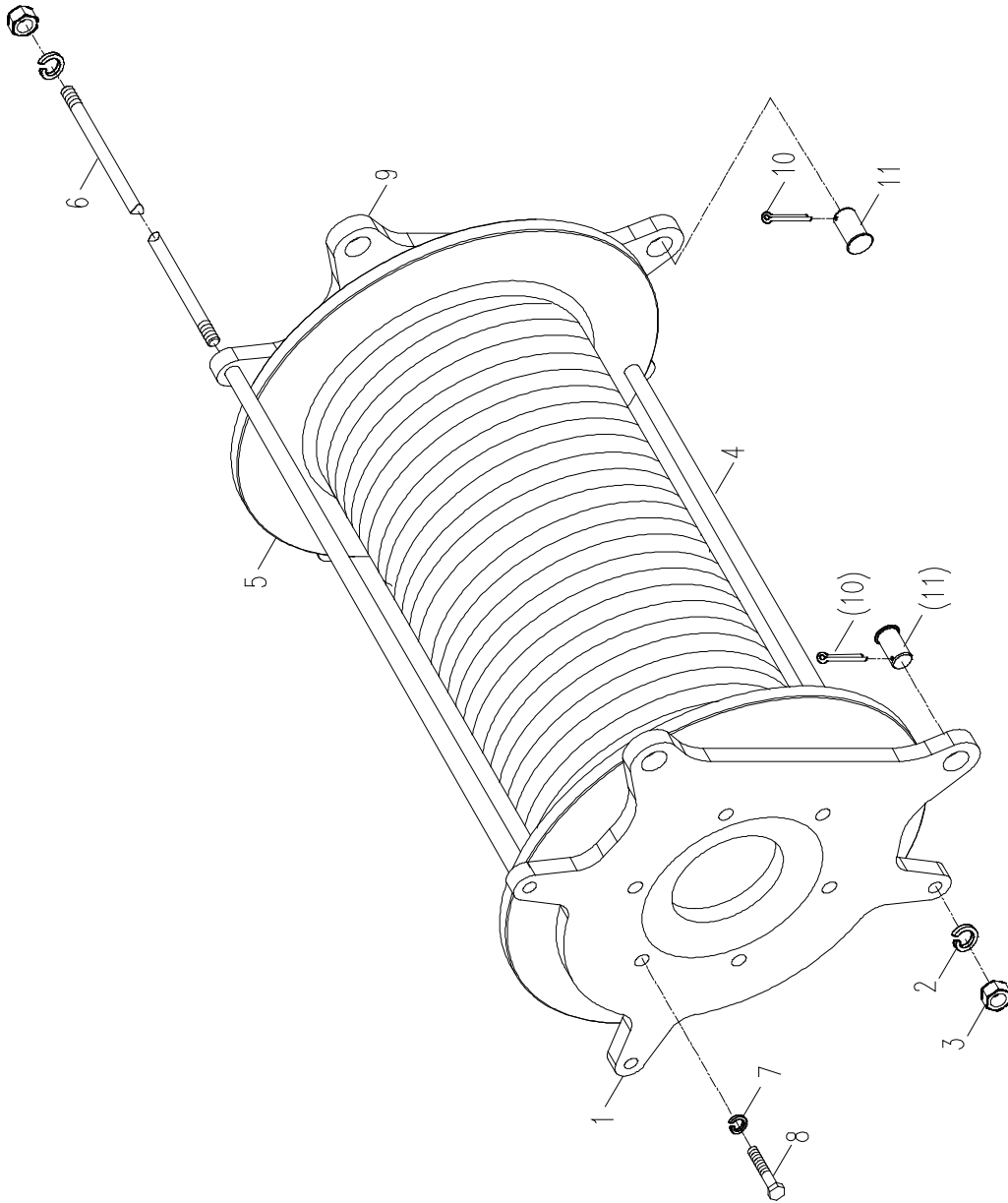
AUXILIARY HOISTING MECHANISM D00663403520400000Y



AUXILIARY HOISTING MECHANISM D0066340352040000Y

POS.	ITEM	DESCRIPTION & SPECIFICATION	QTY.	REMARKS
1	1030200004	Winch reducer	1	
2	00663403520410000	Winch support	1	
3	1040000141	Bolt M24×80-8.8 GB/T5782-2000	20	
4	1040300049	Washer 24 GB/T93-1987	20	
5	1040000198	Bolt M16×50-8.8 GB/T5783-2000	12	
6	1040300065	Washer 16 GB/T93-1987	12	
7	00663403520420000	Pipeline assy. for maintenance	1	E
8	1040500047	Cotter pin 5×70 GB/T91-2000	8	
9	00663403500001010	Pin spindle	8	
10	204050019	Industrial closed gear oil L-CKD220	8.5 L	E
11	202230016	Loctite glue	0.1 g	E
12	204110014	Lithium base grease ZL-2	0.01 g	E
13	1010100765	Variable motor	1	
14	1040000033	Bolt M20×40-8.8 GB/T5783-2000	2	

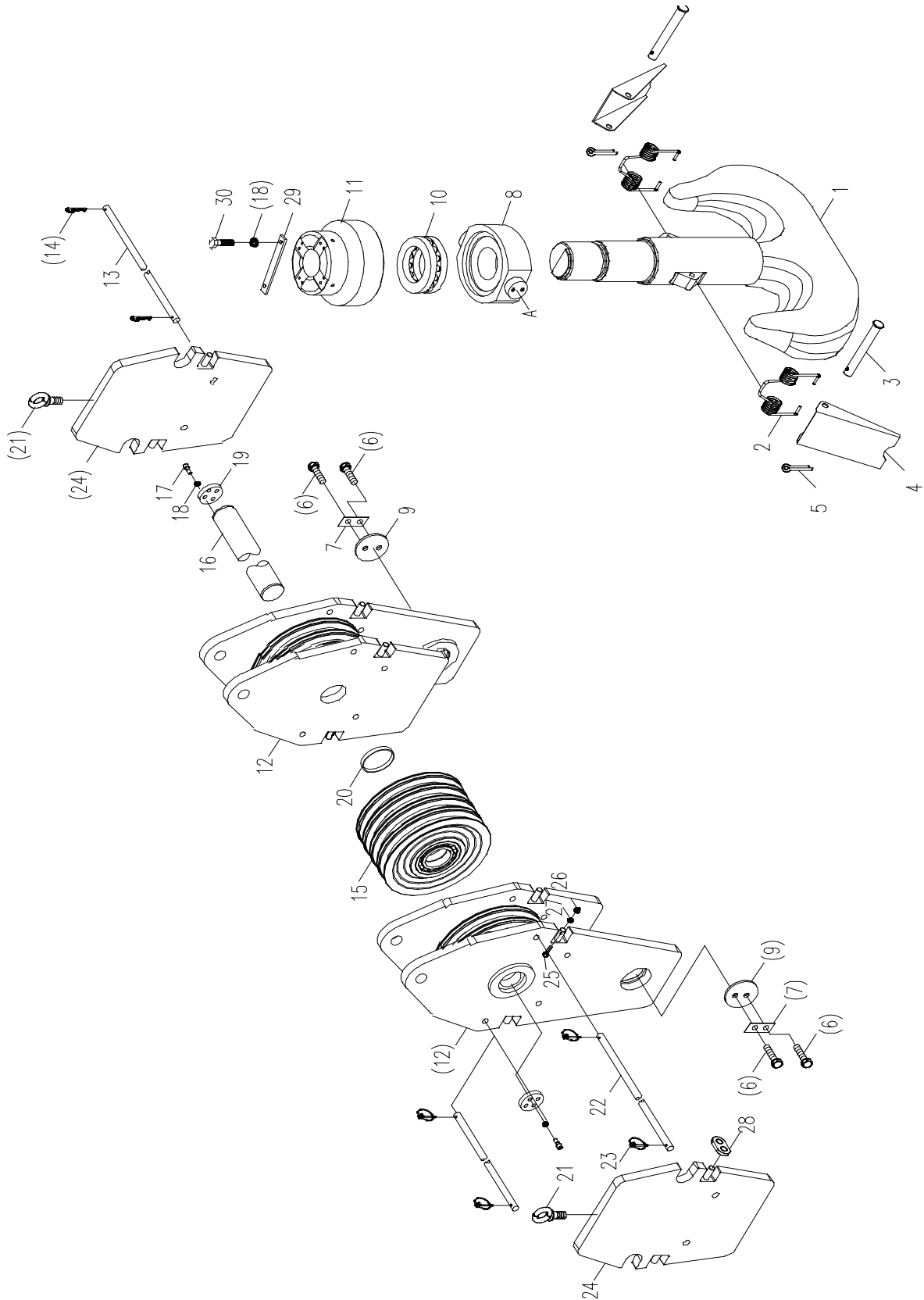
REEVING WINCH D00663408300000000Y



REEVING WINCH D0066340830000000Y

POS.	ITEM	DESCRIPTION & SPECIFICATION	QTY.	REMARKS
1	00663408300001010	Side plate	1	
2	1040300067	Washer 10 GB/T93-1987	6	
3	1040200113	Nut M10-8 GB/T6170-2000	6	
4	00663408300001020	Tube	3	
5	1030200006	Reeving winch	1	
6	00663408300001030	Threaded rod	3	
7	1040300068	Washer 14 GB/T93-1987	17	
8	1040000164	Bolt M14x30-8.8 GB/T5783-2000	17	
9	00663408300001040	Side plate	1	
10	006340000032	Retaining spring	4	
11	00663408300001050	Pin spindle	4	
12	204110014	Lithium base grease	1 kg	
13	204050019	Industrial closed gear oil L-CKD220	1 L	
14	202230016	Loctite glue	1 kg	

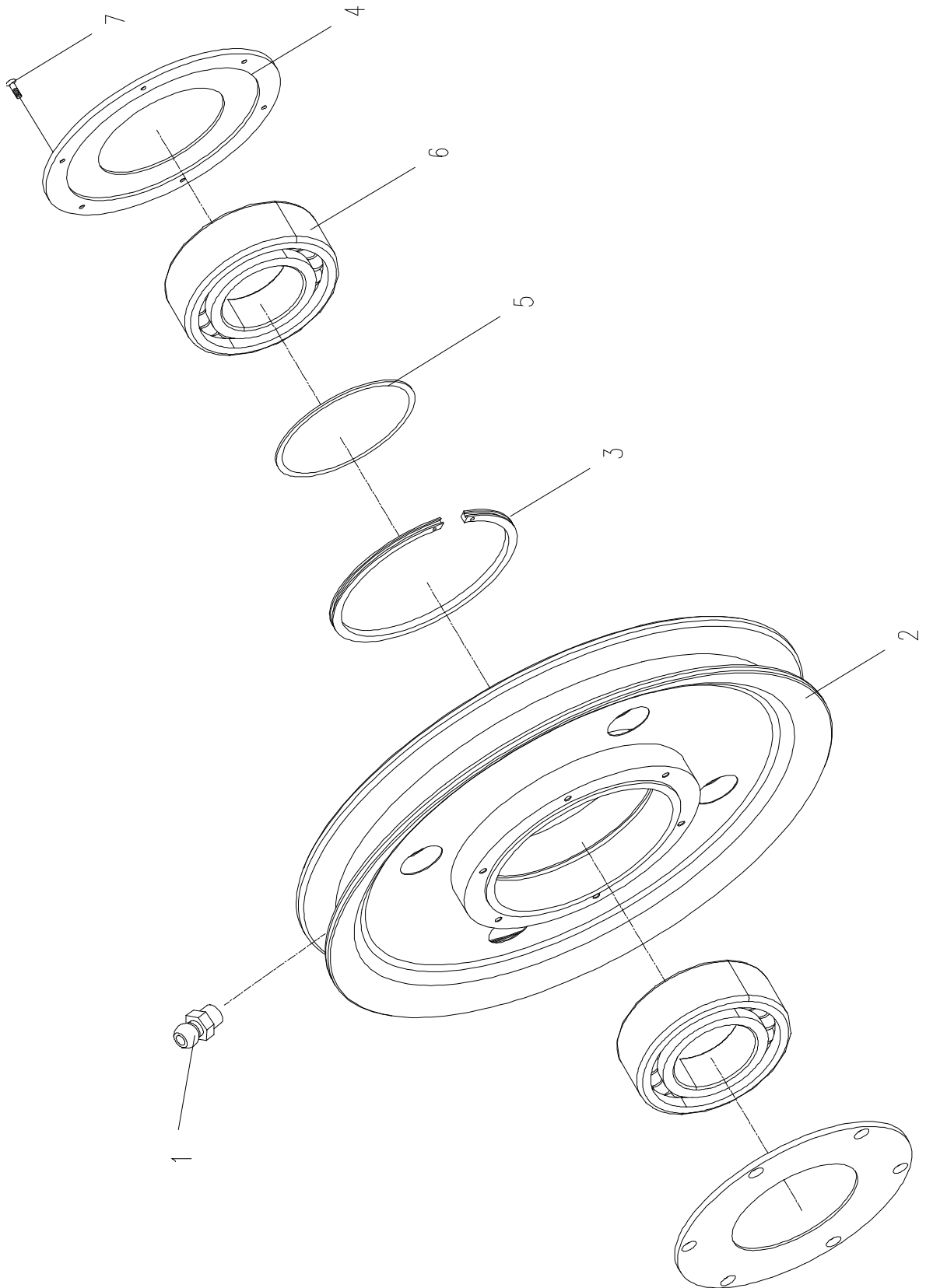
MAIN LOAD HOOK (260 T) D0066340411000000Y



MAIN LOAD HOOK (260 T) D00663404110000000Y

POS.	ITEM	DESCRIPTION & SPECIFICATION	QTY.	REMARKS
1	00663304100001010	Main load hook	1	
2	00663204100001150	Torsion spring	2	
3	00663204100001140	Pin spindle	2	
4	00663204100001130	Retaining plate	2	
5	1040500040	Cotter pin 6.3x50 GB/T91-2000	2	
6	1040000016	Bolt M16x35-8.8 GB/T5783-2000	4	
7	006340000058	Lock shim	2	
8	00663304100001020	Cross beam	1	
9	006340000057	Retaining ring 170	2	
10	1059900000	Bearing 9039438E GB/T5859-1986	1	
11	00663304100001030	Hook nut	1	
12	00663404110200000	Right side plate assy.	2	
13	00663404100001011	Rod	2	
14	006340000029	Retaining spring(D30,32,35)	4	
15	00663804200430000	Pulley assy.	10	
16	00663404100001021	Pulley shaft	1	
17	1040100125	Screw M12x30-8.8 GB/T70.1-2000	8	
18	1040300054	Washer 12 GB/T93-1987	10	
19	00663604200201050	Shaft end cover	2	
20	00663404100001031	Spacing sleeve	6	
21	1040100100	Screw M20 GB/T825-1988	2	
22	00663404100001040	Retaining rod	2	
23	00663604100230000	Safety pin	4	
24	00663404100800000	Counterweight II	2	
25	1040000077	Bolt M8x40-8.8 GB/T5783-2000	8	
26	1040200183	Nut M8-10 GB/T6170-2000	12	
27	1040300063	Washer 8 GB/T93-1987	12	
28	00663404100001050	Connecting plate	4	
29	00663304100001080	Locking plate	1	
30	1040000108	Bolt M12x30-8.8 GB/T5783-2000	2	
31	204110014	Lithium base grease ZL-2	0.4 g	E

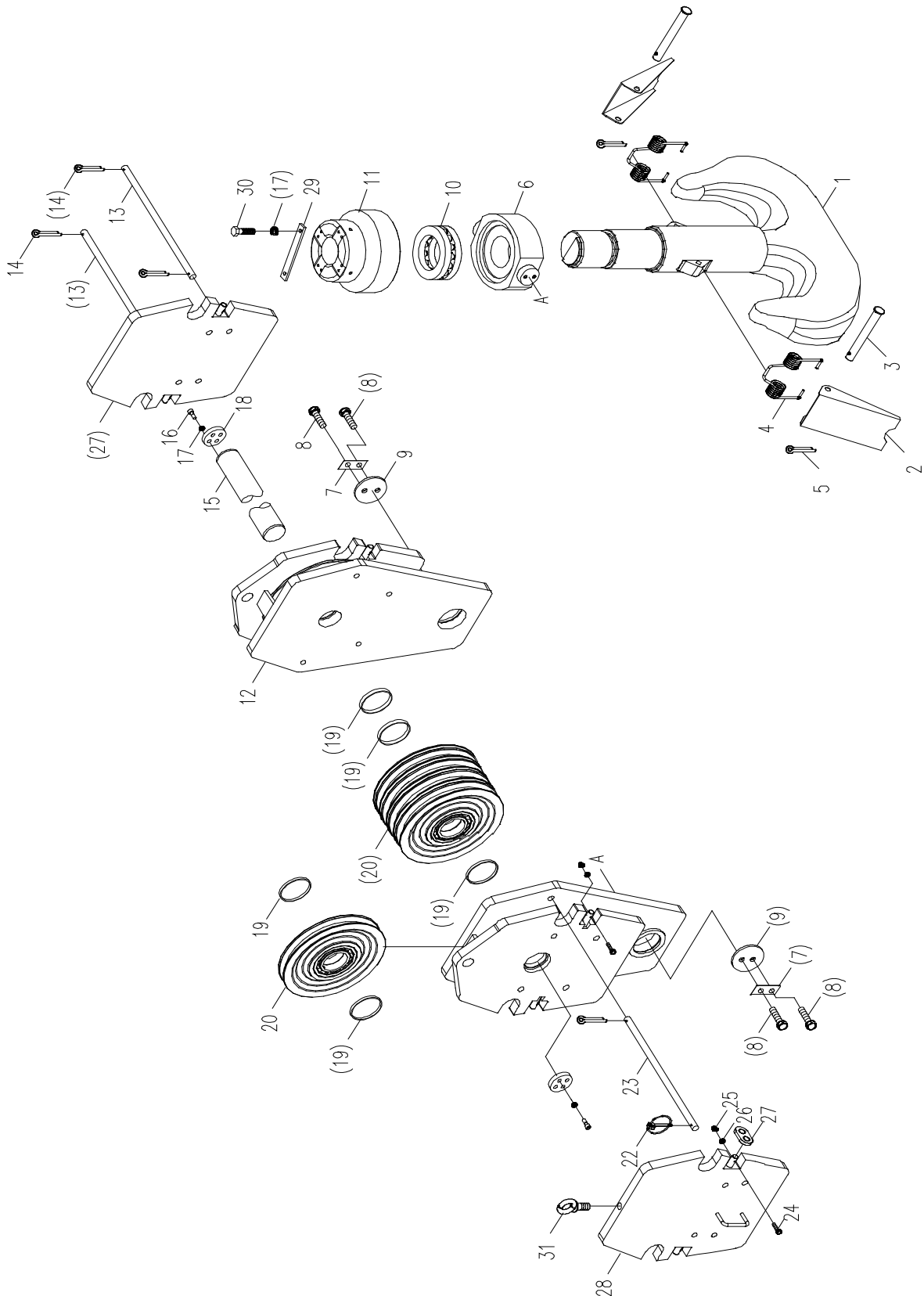
PULLEY ASSY. D00663804200430000Y



PULLEY ASSY. D00663804200430000Y

POS.	ITEM	DESCRIPTION & SPECIFICATION	QTY.	REMARKS
1	1080000002	Oil cup M10×1 GB1152-1989	1	
2	00663804200430010	Pulley body	1	
3	00663804200431010	Ring	1	
4	00663804200431020	Dust plate	2	
5	00663804200431030	Retaining ring	1	
6	1050200115	Rolling bearing NJ224M GB/T283-1994	2	
7	1040100244	Screw M10×12-4.8	12	

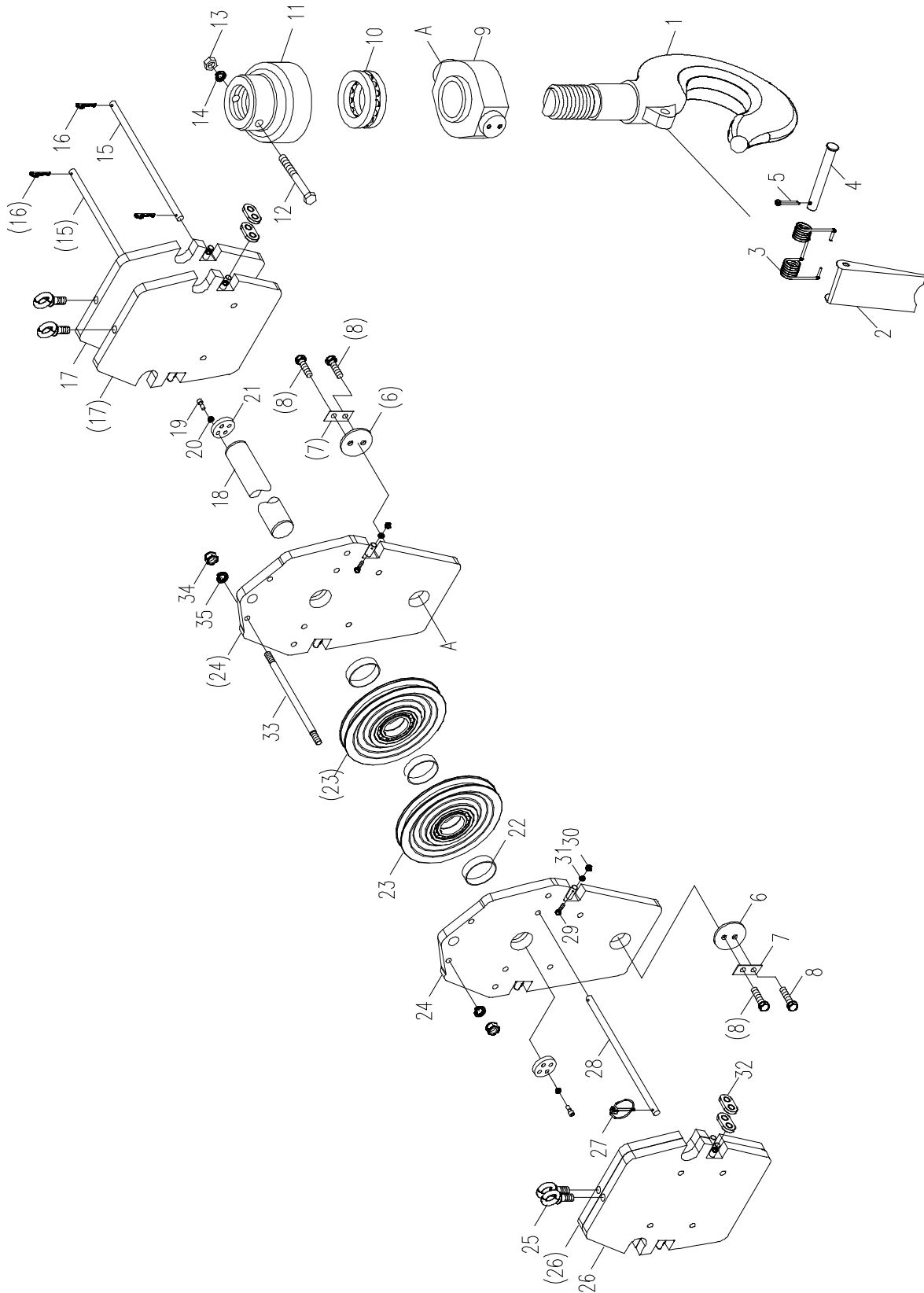
160\100 T LOAD HOOK D00663404210200000Y



160\100 T LOAD HOOK D00663404210200000Y

POS.	ITEM	DESCRIPTION & SPECIFICATION	QTY.	REMARKS
1	00663204100001120	Straight shank twin hook	1	
2	00663204100001130	Retaining plate	2	
3	00663204200201101	Pin spindle	2	
4	00663204100001150	Torsion spring	2	
5	1040500040	Cotter pin 6.3x50 GB/T91-2000	2	
6	00663404200201050	Cross beam	1	
7	006340000058	Retaining shim	2	
8	1040000016	Bolt M16x35-8.8 GB/T5783-2000	4	
9	006340000057	Retaining ring 170	2	
10	1050200137	Bearing 9039434E GB5859-1986	1	
11	00663204100001100	Hook nut	1	
12	00663404210210000	Right side plate assy.	2	
13	00663404200201011	Retaining rod	2	
14	006340000029	Retaining spring(D30,32,35)	4	
15	00663404200201021	Pulley shaft	1	
16	1040100125	Screw M12x30-8.8 GB/T70.1-2000	8	
17	1040300054	Washer 12 GB/T93-1987	12	
18	00663604200201050	Shaft end cover	2	
19	00663604200221050	Retaining ring	9	
20	00663804200430000	Pulley assy.	6	
22	00663604100230000	Safety pin	4	
23	00663404200201041	Rod	2	
24	1040000077	Bolt M8x40-8.8 GB/T5783-2000	8	
25	1040200183	Nut M8-10 GB/T6170-2000	8	
26	1040300063	Washer 8 GB/T93-1987	8	
27	00663404100001061	Connecting plate	4	
28	00663404200230002	Counterweight assy.	2	
29	00663204100001160	Locking plate	1	
30	1040000108	Bolt M12x30-8.8 GB/T5783-2000	2	
31	1040100100	Screw M20 GB825-1988	2	
32	204110014	Lithium base grease ZL-2	0.4 g'	E
33	1080000001	Oil cup M10x1 GB1152-1979	1	E

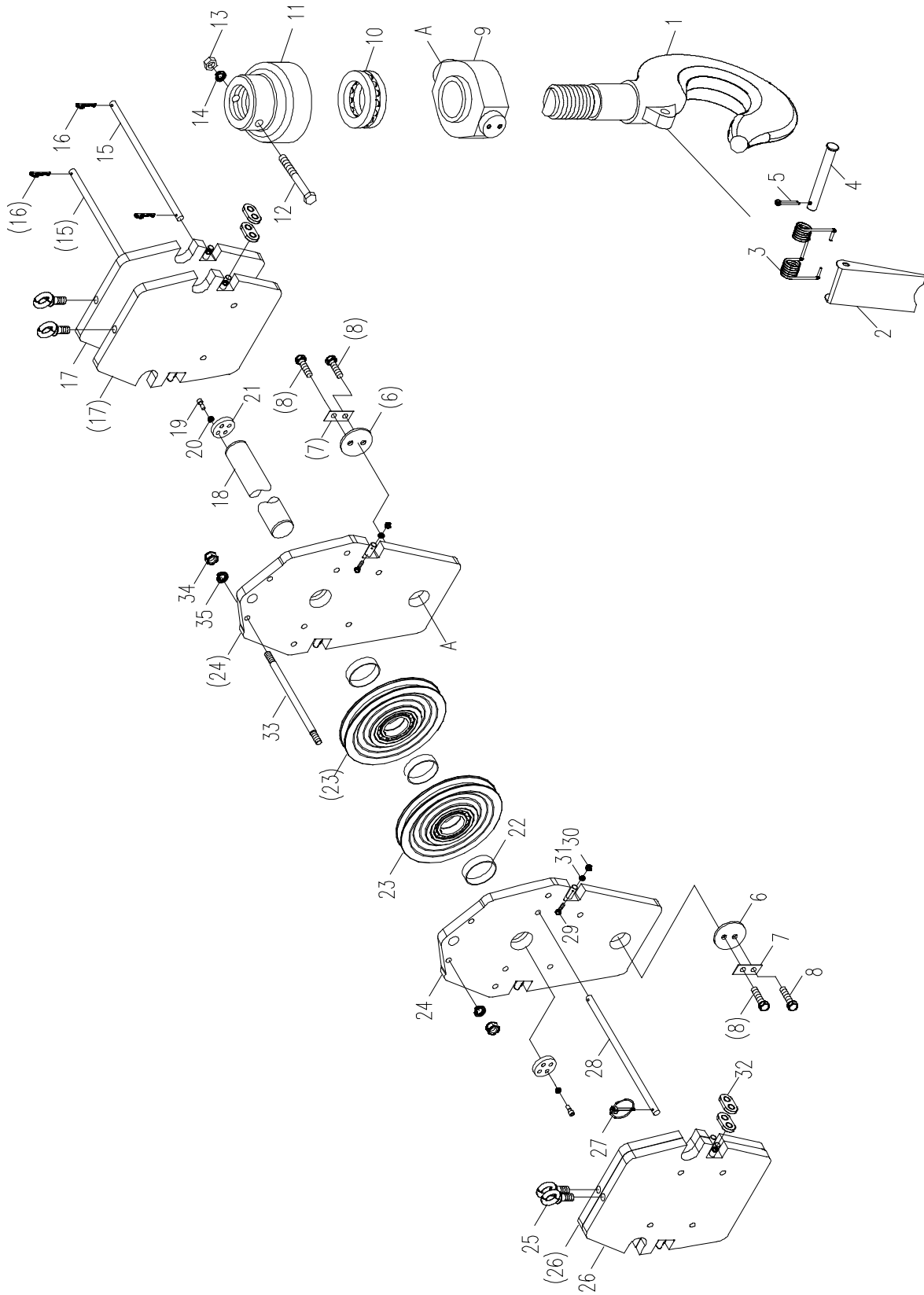
50 T LOAD HOOK D00663404200400002Y



50 T LOAD HOOK D00663404200400002Y

POS.	ITEM	DESCRIPTION & SPECIFICATION	QTY.	REMARKS
1	00663404200401010	Hook	1	
2	00663014100001070	Retaining plate	1	
3	00663014100001080	Torsion spring	1	
4	1040500166	Pin spindle B12x95 GB/T882-1986	1	
5	1040500075	Cotter pin 4x20 GB/T91-2000	1	
6	006340000005	Retaining ring 120	2	
7	006340000050	Retaining shim	2	
8	1040000114	Bolt M10x25-8.8 GB/T5783-2000	4	
9	00663304200401011	Cross beam	1	
10	1050200075	Rolling bearing 8324 GB301-1984	1	
11	00663204200401050	Hook nut	1	
12	1040000279	Bolt M10x180-8.8 GB/T5782-2000	1	
13	1040200113	Nut M10-8 GB/T6170-2000	1	
14	1040300067	Washer 10 GB/T93-1987	1	
15	00663404200401020	Rod	2	
16	006340000029	Retaining spring (D30,32,35)	4	
17	00663404200230002	Counterweight assy.	2	
18	00663404200401030	Pulley shaft	1	
19	1040100125	Screw M12x30-8.8 GB/T70.1-2000	8	
20	1040300054	Washer 12 GB/T93-1987	8	
21	00663604200201050	Shaft end cover	2	
22	00663404200401040	Retaining ring	3	
23	00663804200430000	Pulley assy.	2	
24	00663404200410000	Side plate assy.	2	
25	1040100100	Screw M20 GB825-1988	4	
26	00663404200430000	Counterweight	2	
27	00663604100230000	Safety pin	4	
28	00663404200401050	Retaining rod	2	
29	1040000077	Bolt M8x40-8.8 GB/T5783-2000	12	
30	1040200183	Nut M8-10 GB/T6170-2000	12	
31	1040300063	Washer 8 GB/T93-1987	12	
32	00663404100001061	Connecting plate	8	
33	00663404200401060	Rod	2	
34	1040200197	Nut M30-8 GB/T6170-2000	4	

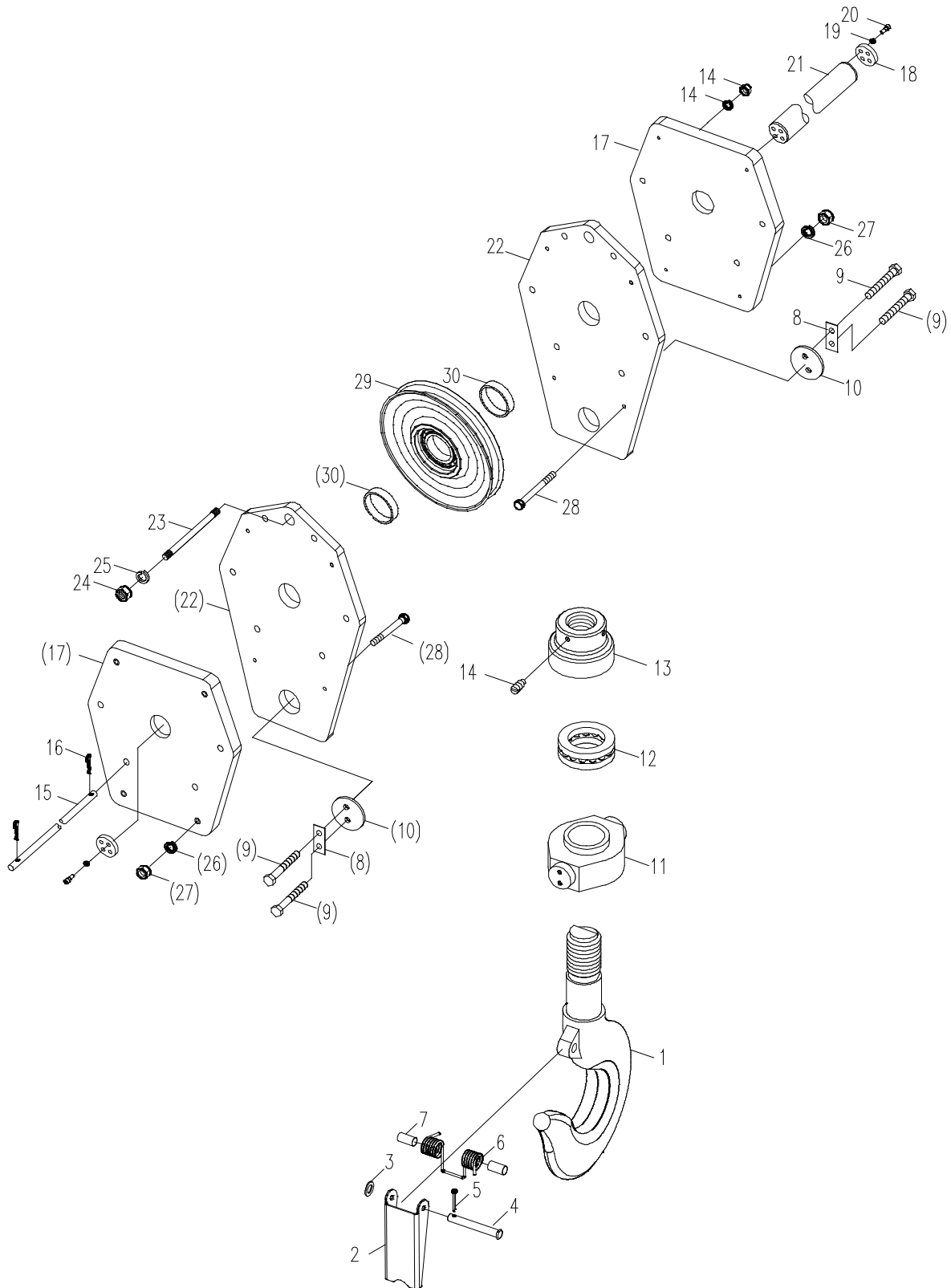
50 T LOAD HOOK D00663404200400002Y



50 T LOAD HOOK D00663404200400002Y

POS.	ITEM	DESCRIPTION & SPECIFICATION	QTY.	REMARKS
35	1040300010	Washer 30 GB/T93-1987	4	
36	204110014	Lithium base grease ZL-2	1	
37	1080000001	Oil cup M10x1 GB1152-1979	1	

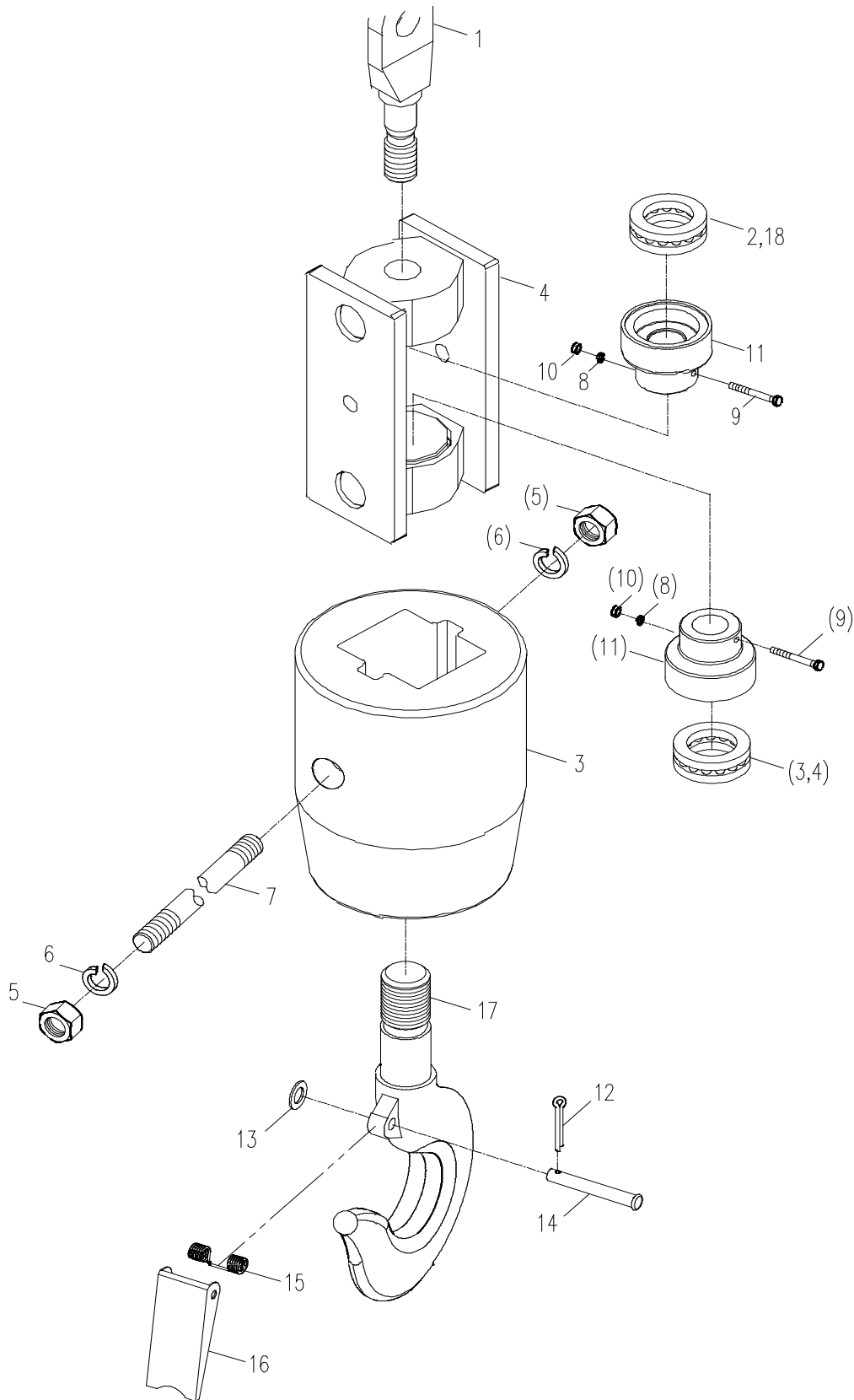
30 T LOAD HOOK D0066330420060002Y



30T LOAD HOOK D00663304200600002Y

POS.	ITEM	DESCRIPTION & SPECIFICATION	QTY.	REMARKS
1	00663004200001070	Hook	1	
2	00663004200001080	Lock plate	1	
3	1040300041	Washer 12-200HV GB/T97.1-2002	1	
4	00663004200001091	Cotter pin	1	
5	1040500068	Cotter pin 4x26 GB/T91-2000	1	
6	00663004200001100	Torsion spring	1	
7	00663004200001110	Sleeve ring	2	
8	00663004200001120	Lock shim	2	
9	1040000134	Bolt M16x25-8.8 GB/T5783-2000	4	
10	00663004200001131	Retaining plate	2	
11	00663004200001140	Cross beam	1	
12	1050200043	Rolling bearing 8320 GB301-1984	1	
13	00663104200201020	Hook nut	1	
14	1040100139	Screw M12x45-33H GB72-1988	1	
15	00663304200601011	Retaining rod	4	
16	6340000029	Retaining spring (D30,32,35)	8	
17	00663304200620000	Counterweight assy.	2	
18	00663604200201050	Shaft end cover	2	
19	1040300054	Washer 12 GB/T93-1987	10	
20	1040100125	Screw M12x30-8.8 GB/T70.1-2000	8	
21	00663304200601031	Pulley shaft	1	
22	00663304200610001	Side plate assy.	2	
23	00663304200601050	Rod	2	
24	1040200197	Nut M30-8 GB/T6170-2000	4	
25	1040300010	Washer 30 GB/T93-1987	4	
26	1040300065	Washer 16 GB/T93-1987	8	
27	1040200110	Nut M16-8 GB/T6170-2000	8	
28	1040000297	Bolt M16x100-8.8 GB/T5782-2000	8	
29	00663804200430000	Pulley assy.	1	
30	00663304200601040	Spacing sleeve	2	
31	204110014	Lithium base grease ZL-2	1	
32	1080000001	Oil cup M10x1 GB1152-1979	1	

16 T LOAD HOOK D00663804200800000Y



16 T LOAD HOOK D0066380420080000Y

POS.	ITEM	DESCRIPTION & SPECIFICATION	QTY.	REMARKS
1	00663804200801010	Lifting ring bolt	1	
2	1050200041	Rolling bearing	2	
3	00663804200801020	Counterweight	1	
4	00663804200810000	Hook body	1	
5	1040200197	Nut M30-8 GB/T6170-2000	2	
6	1040300010	Washer30 GB/T93-1987	2	
7	00663804200801030	Threaded rod	1	
8	1040300067	Washer10 GB/T93-1987	2	
9	1040000189	BoltM10×120-8.8 GB/T5782-2000	2	
10	1040200113	NutM10-8 GB/T6170-2000	2	
11	00663804200801040	Hook nut	2	
12	1040500068	Cotter pin 4×26 GB/T91-2000	1	
13	1040300041	Washer 12-200HV GB/T97.1-2002	1	
14	1040500100	Pin spindle B12×90 GB/T882-1986	1	
15	00663014200201070	Torsion spring	1	
16	00663014200201060	Retaining plate	1	
17	00663014200201050	Hook	1	
18	204110014	Lithium base grease	1	E

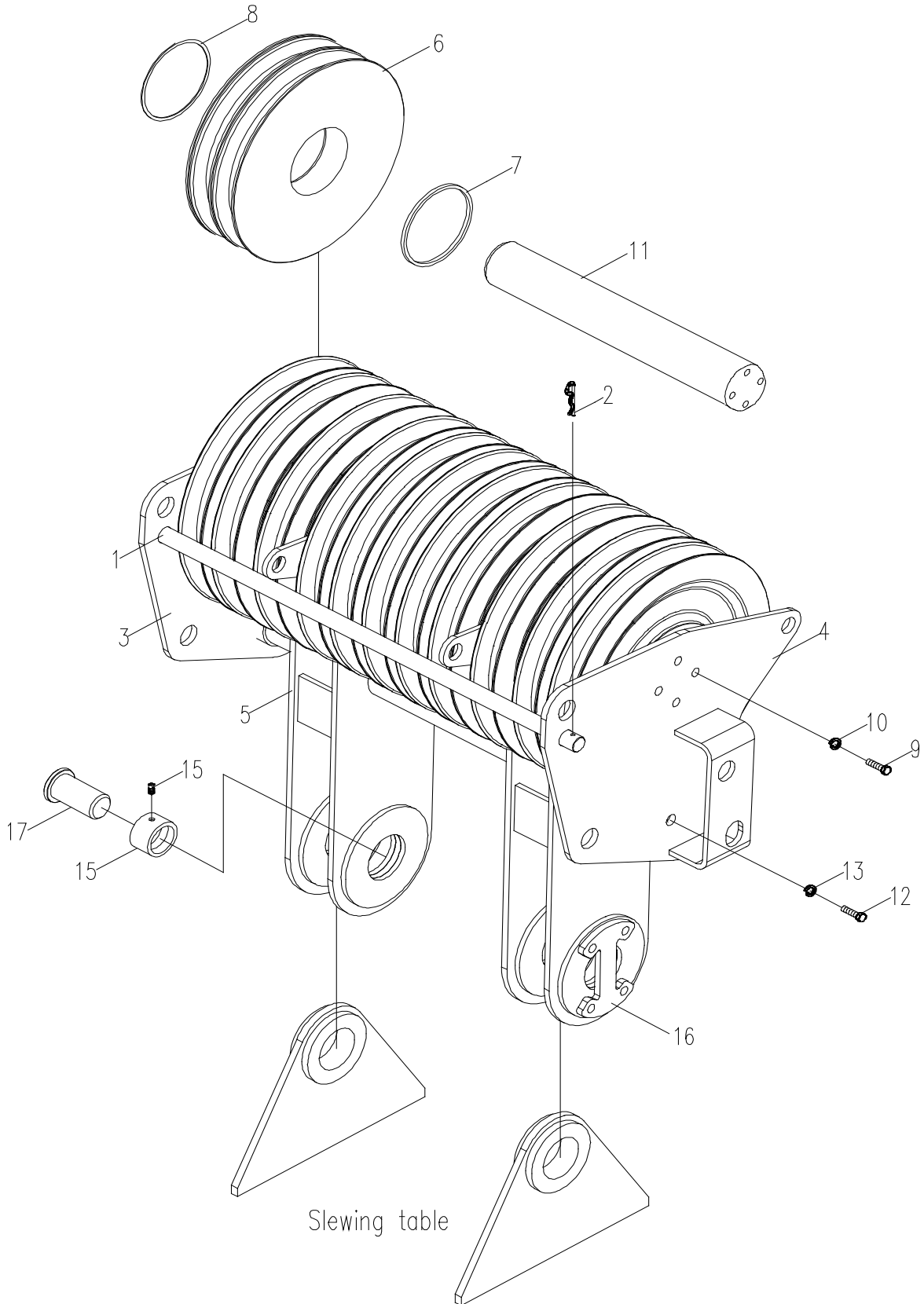


Crawler Crane Spare Parts Catalog

Chapter 6 Derricking mechanism



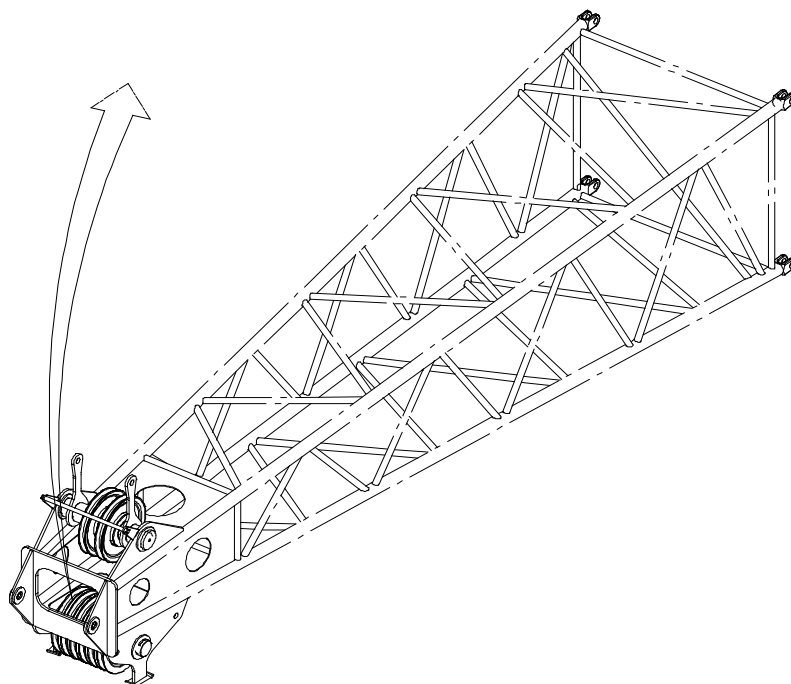
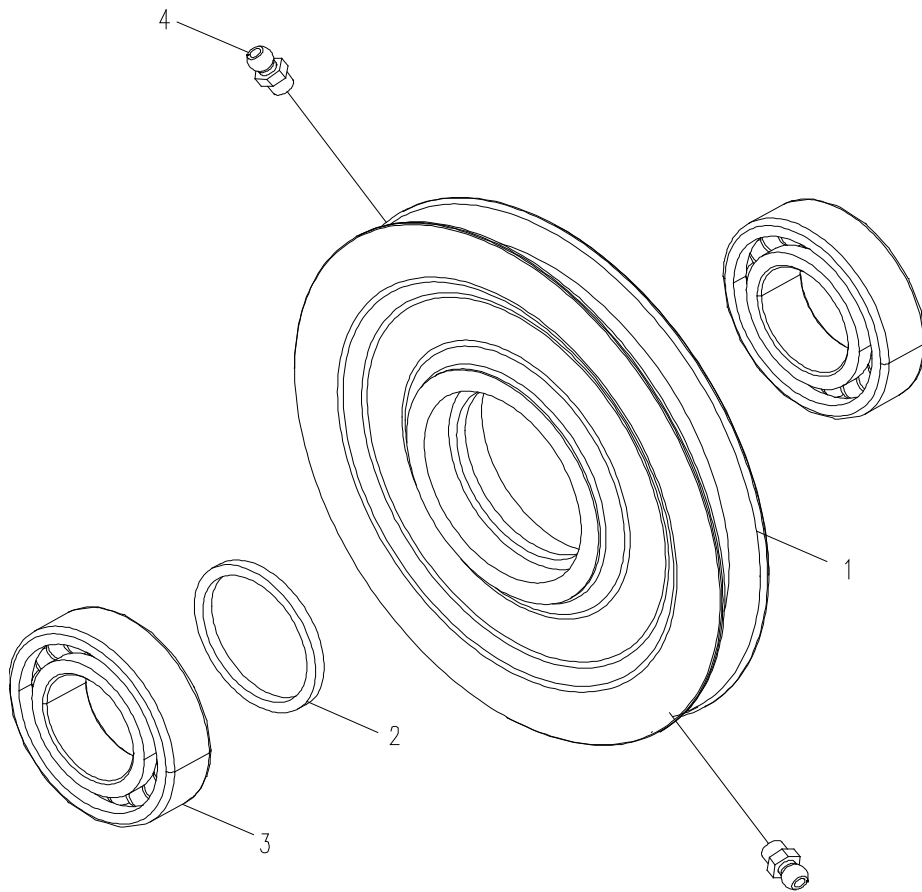
DERRICKING PULLEY BLOCK D0066340210000001Y



DERRICKING PULLEY BLOCK D00663402100000001Y

POS.	ITEM	DESCRIPTION & SPECIFICATION	QTY.	REMARKS
1	00663402100001020	Rope guard tube	2	
2	006340000029	Retaining spring (D30,32,35)	4	
3	00663402100400000	Support	1	
4	00663402100800000	Support	1	
5	00663402100600000	Support	1	
6	00663027800420000	Pulley assy.	11	
7	00663300100001010	Spacing sleeve	6	
8	00663306601001071	Spacing sleeve	10	
9	1040004275	Bolt M16×40 GB/T5783-2000	16	
10	1040300065	Washer 16 GB/T93-1987	16	
11	00663402100001040	Shaft	1	
12	1040000051	Bolt M20×45-8.8	2	
13	1040300038	Washer 20 GB/T93-1987	2	
14	00663402100001050	Brass bush	2	
15	1040100233	Screw M5×10-22H GB/T71-1985	8	
16	00663402100001030	Retaining plate	2	
17	00663402100001060	Shaft	2	
18	204110014	Lithium base grease ZL-2	0.5 kg	E

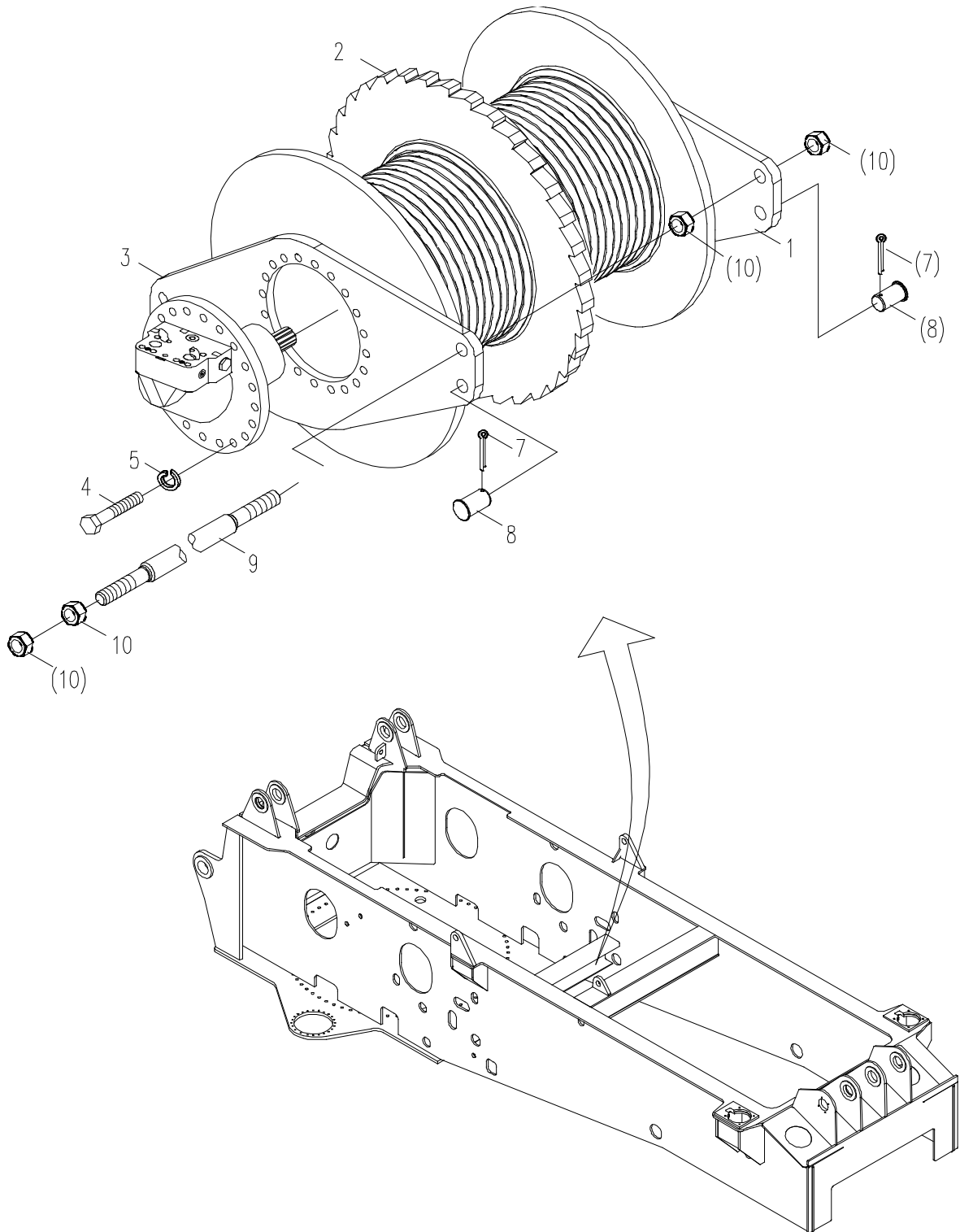
PULLEY ASSY. D00663027800420000Y



PULLEY ASSY. D00663027800420000Y

POS.	ITEM	DESCRIPTION & SPECIFICATION	QTY.	REMARKS
1	00663027800421010	Pulley body	1	
2	00663027800421020	Retaining ring	1	
3	1050200135	Rolling bearing NJ1024 GB283-1994	2	
4	1080000001	Oil cup M10×1 GB1152-1979	2	
5	204110014	Lithium base grease	1 kg	

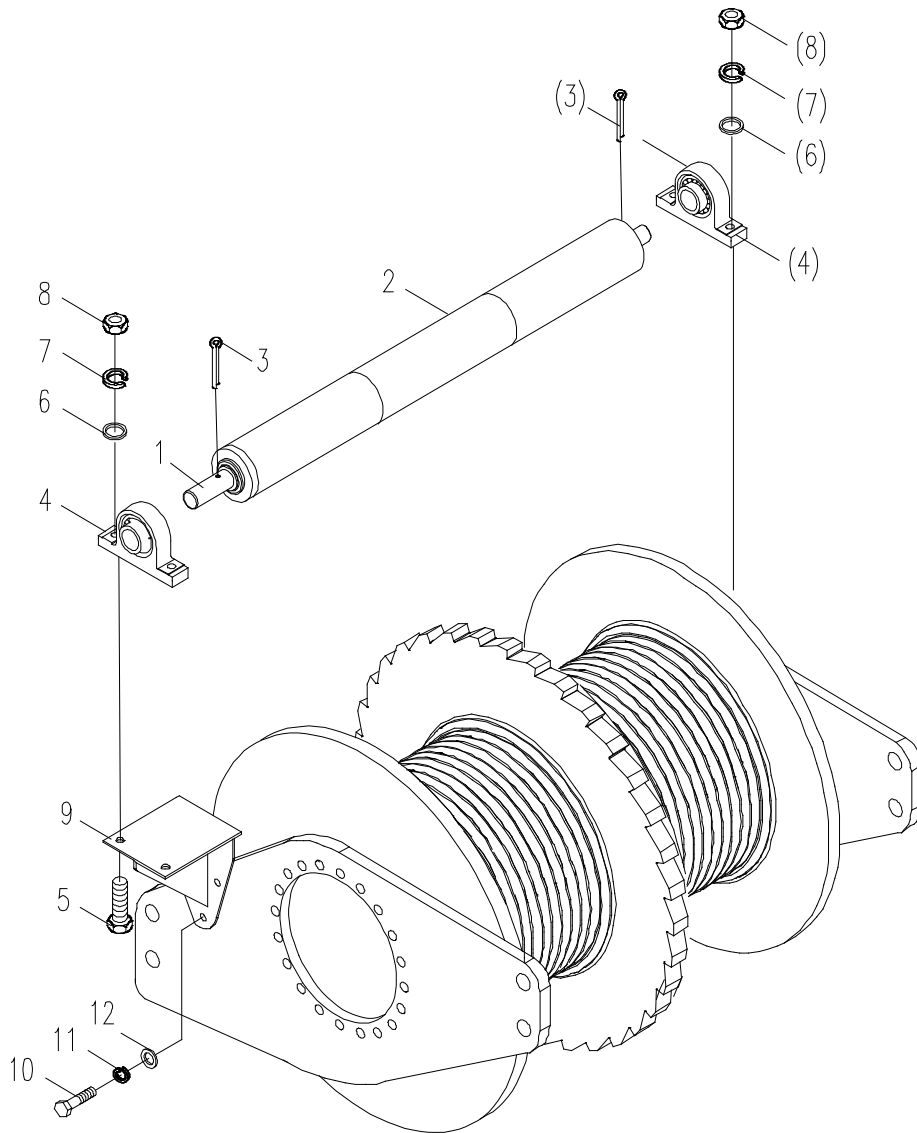
DERRICKING MECHANISM ASSY. D0066340202000000Y



DERRICKING MECHANISM ASSY. D0066340202000000Y

POS.	ITEM	DESCRIPTION & SPECIFICATION	QTY.	REMARKS
1	00663402020400000	Winch support	1	
2	1030201854	Winch reducer	1	
3	00663402020200000	Winch support	1	
4	1040000582	Bolt M20x1.5x50-8.8 GB/T5786-2000	40	
5	1040300038	Washer 20 GB/T93-1987	40	
6	00663402020600000	Pipeline assy. for maintenance	2	E
7	1040500076	Cotter pin 8x60 GB/T91-2000	4	
8	00663308000001020	Pin spindle	4	
9	00663302000600000	Connecting threaded rod	2	
10	1040200205	Nut M36x3-04 GB/T6173-2000	8	
11	00663402020800000	Rope support assembly	1	E
12	204110014	Lithium base grease	0.01kg	E
13	204050019	Industrial closed gear oil L-CKD220	7.5 L	E
14	202230016	Loctite glue	0.1kg	E

ROPE SUPPORT ASSEMBLY D0066340202080000Y



ROPE SUPPORT ASSEMBLY D0066340202080000Y

POS.	ITEM	DESCRIPTION & SPECIFICATION	QTY.	REMARKS
1	00663402020801010	Rod	1	
2	00663402020801020	Tube	3	
3	1040500104	Cotter pin 6.3×65 GB/T91-2000	2	
4	1050200136	Bearing 290507 GB/T3882-1987	2	
5	1040000169	Bolt M12×45-8.8 GB/T5783-2000	4	
6	1040300041	Washer 12-200HV GB/T97.1-2002	4	
7	1040300054	Washer 12 GB/T93-1987	4	
8	1040200096	Nut M12-8 GB/T6170-2000	4	
9	00663402020810000	Seat	2	
10	1040000016	Bolt M16×35-8.8 GB/T5783-2000	6	
11	1040300065	Washer 16 GB/T93-1987	6	
12	1040300052	Washer 16-200HV GB/T97.1-2002	6	
13	204110014	Lithium base grease	0.3 g	E

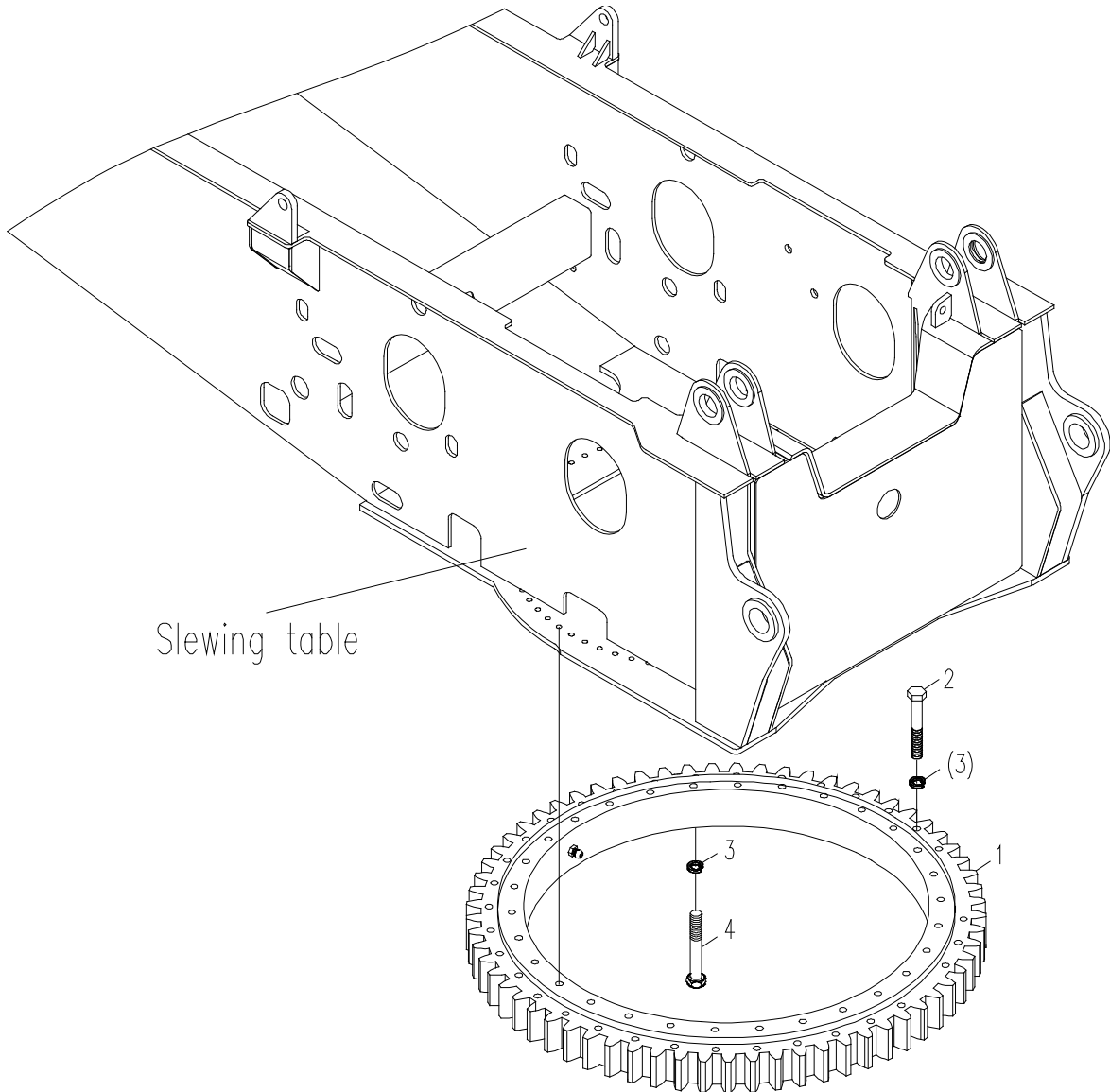


Crawler Crane Spare Parts Catalog

Chapter 7 Slewing mechanism



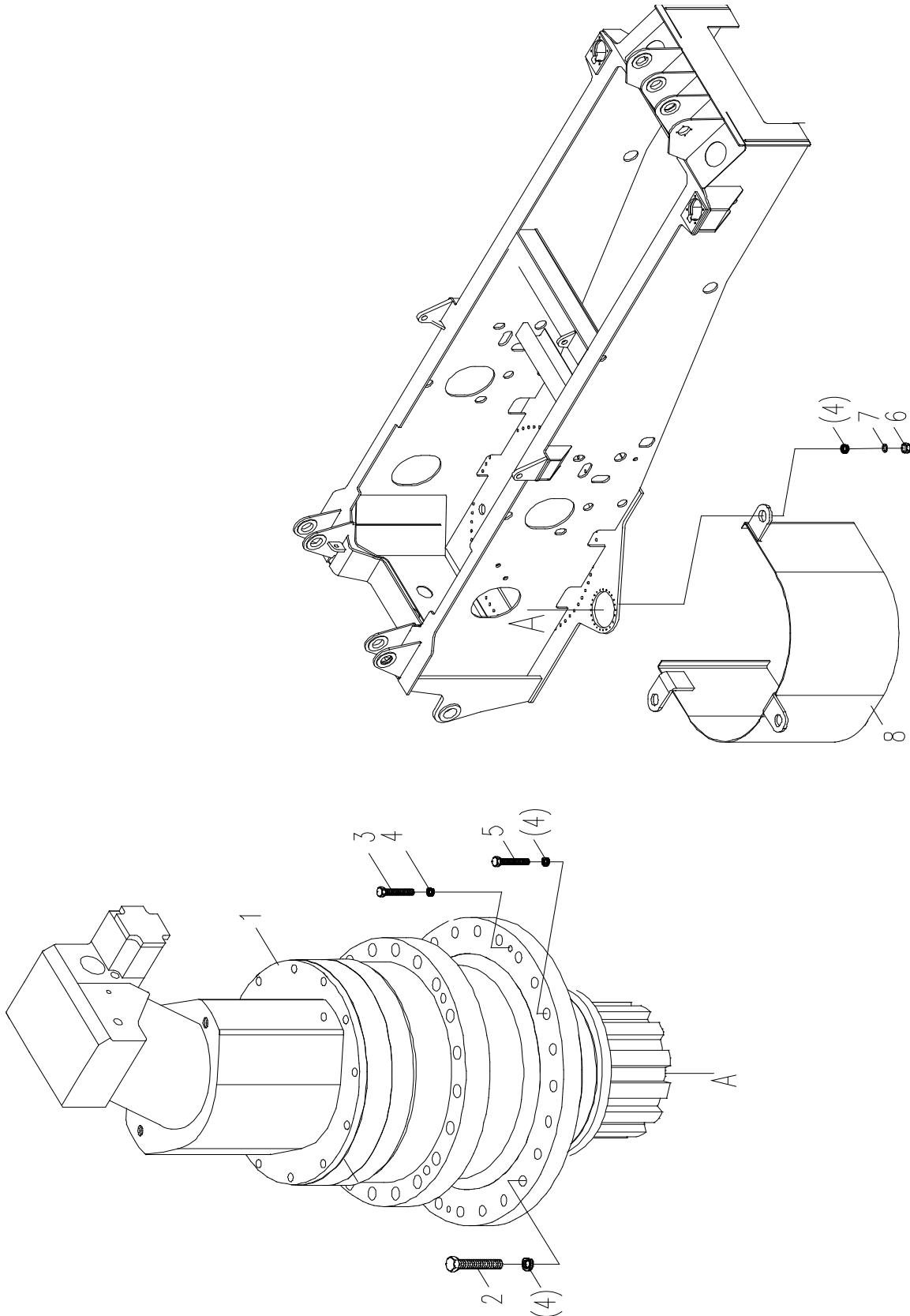
SLEWING RING ASSEMBLY D0066340452000000Y



SLEWING RING ASSEMBLY D0066340452000000Y

POS.	ITEM	DESCRIPTION & SPECIFICATION	QTY.	REMARKS
1	1031500205	Slewing ring	1	
2	1040000449	Bolt M33×265-10.9 GB/T5782-2000	72	
3	1040300190	Washer 33 GB/T1230-1991	144	
4	1040000451	Bolt M33×280-10.9 GB/T5782-2000	72	
5	202230025	1277 Thread sealant	0.1 g	E

SLEWING MECHANISM D0066340440000000Y



SLEWING MECHANISM D00663404400000000Y

POS.	ITEM	DESCRIPTION & SPECIFICATION	QTY.	REMARKS
1	1030200487	Slewing reducer + motor	2	
2	1040000209	Bolt M16x70-8.8 GB/T5783-2000	34	
3	00663104400001010	Bolt	8	
4	1040300065	Washer 16 GB/T93-1987	54	
5	1040000190	Bolt M16x90-8.8 GB/T5783-2000	6	
6	1040200110	Nut M16-8 GB/T6170-2000	6	
7	1040302034	Washer 16 GB/T97.1-2002	6	
8	00663404420000000	Protective cover	2	
9	202230025	1277 Thread sealant	0.01 g	E
10	204050019	Industrial closed gear oil L-CKD220	0.9 g	E

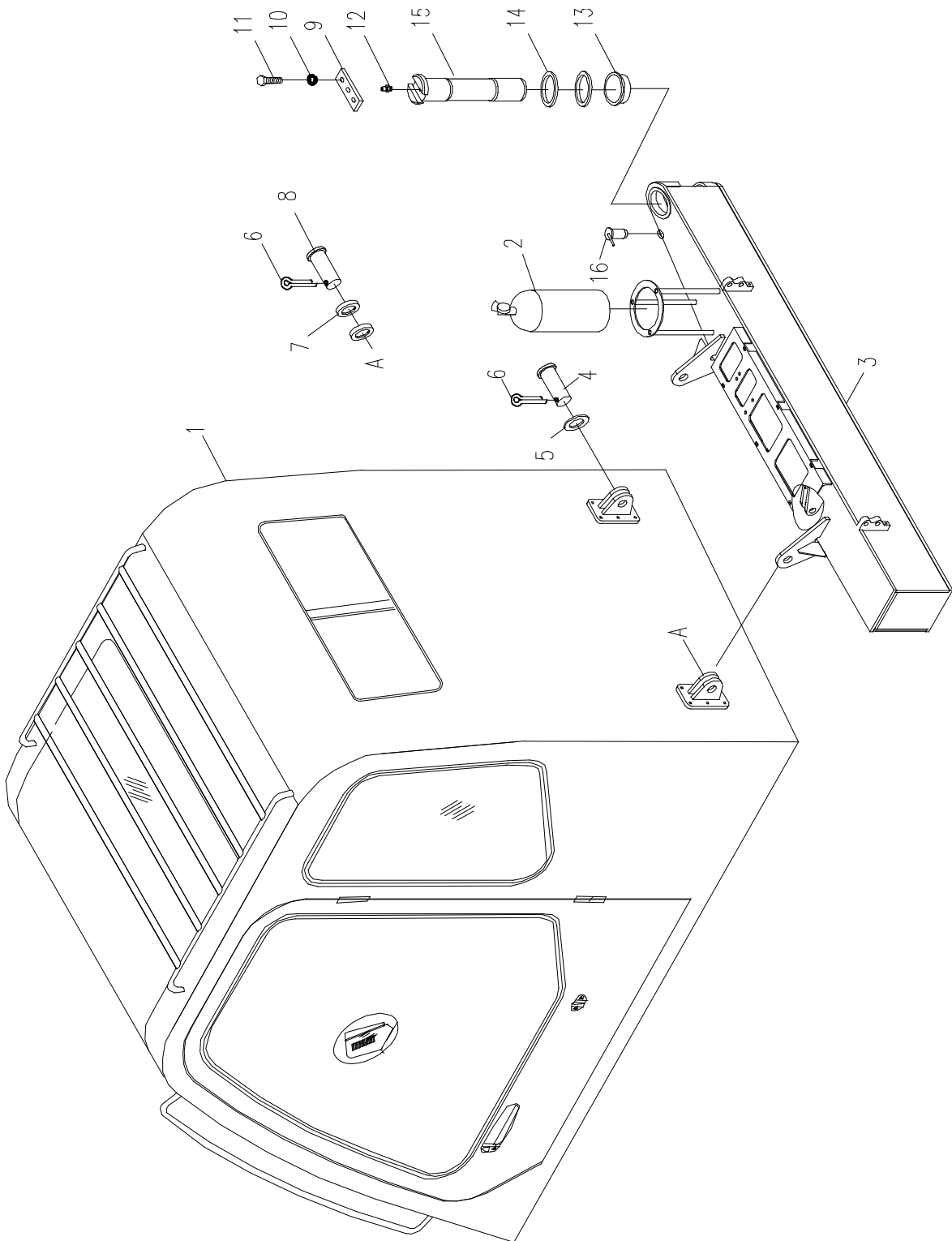


Crawler Crane Spare Parts Catalog

Chapter 8 Control system



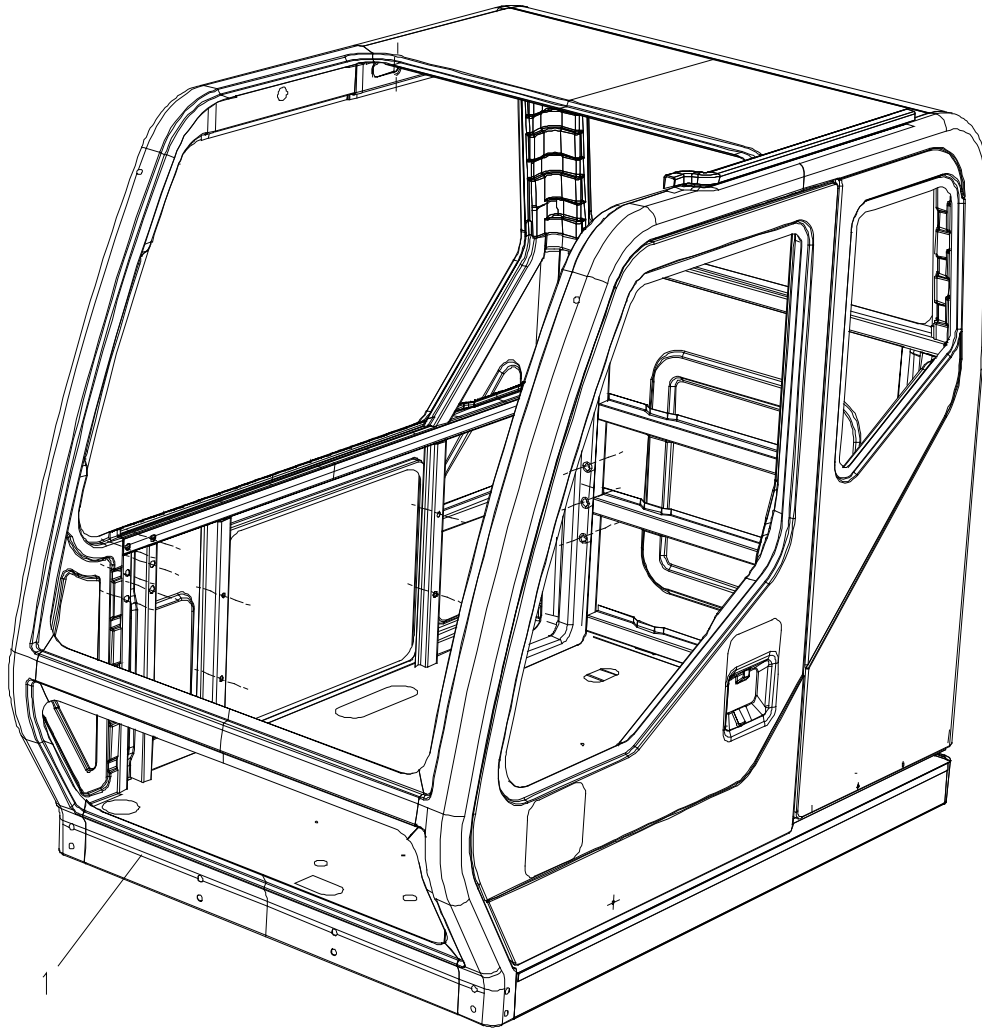
OPERATOR'S CAB ASSEMBLY D0066340071000000Y



OPERATOR'S CAB ASSEMBLY D00663400710000000Y

POS.	ITEM	DESCRIPTION & SPECIFICATION	QTY.	REMARKS
1	1130000650	Operator's cab assy. 1250	1	
2	1139900000	Fire extinguisher	1	
3	00663400710200000	Rotary arm	1	
4	00663300700001020	Pin spindle	2	
5	00663300700001030	Washer	2	
6	1040500173	Cotter pin 6.3×80 GB/T91-2000	4	
7	1040300074	Washer 30-200HV GB/T97.1-2002	2	
8	00663300700001010	Pin spindle 05214	2	
9	00663300700001060	Retaining plate	1	
10	1040300065	Washer 16 GB/T93-1987	2	
11	1040000082	Bolt M16×40-8.8 GB/T5783-2000	2	
12	1080000002	Oil cup M10×1 GB1152-1989	2	
13	00663300700001090	Brass bush	2	
14	00663300700001040	Spacing sleeve	2	
15	00663300700001070	Shaft	1	
16	00663305800400000	Pin spindle	1	
17	204110014	Lithium base grease	0.1 Kg	

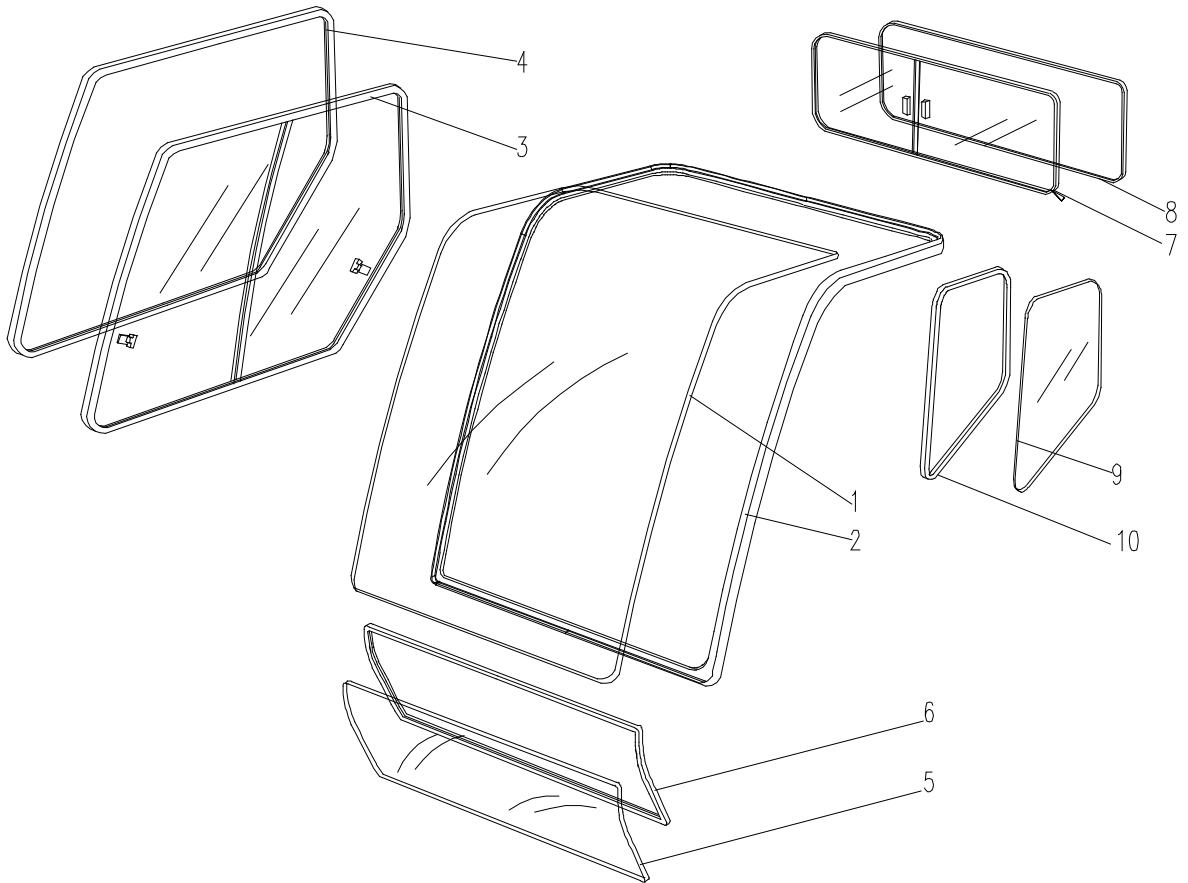
OPERATOR'S CAB-1 D1130000067Y



OPERATOR'S CAB-1 D1130000067Y

POS.	ITEM	DESCRIPTION & SPECIFICATION	QTY.	REMARKS
1	YLD07P/53-01070	Welded assy.	1	

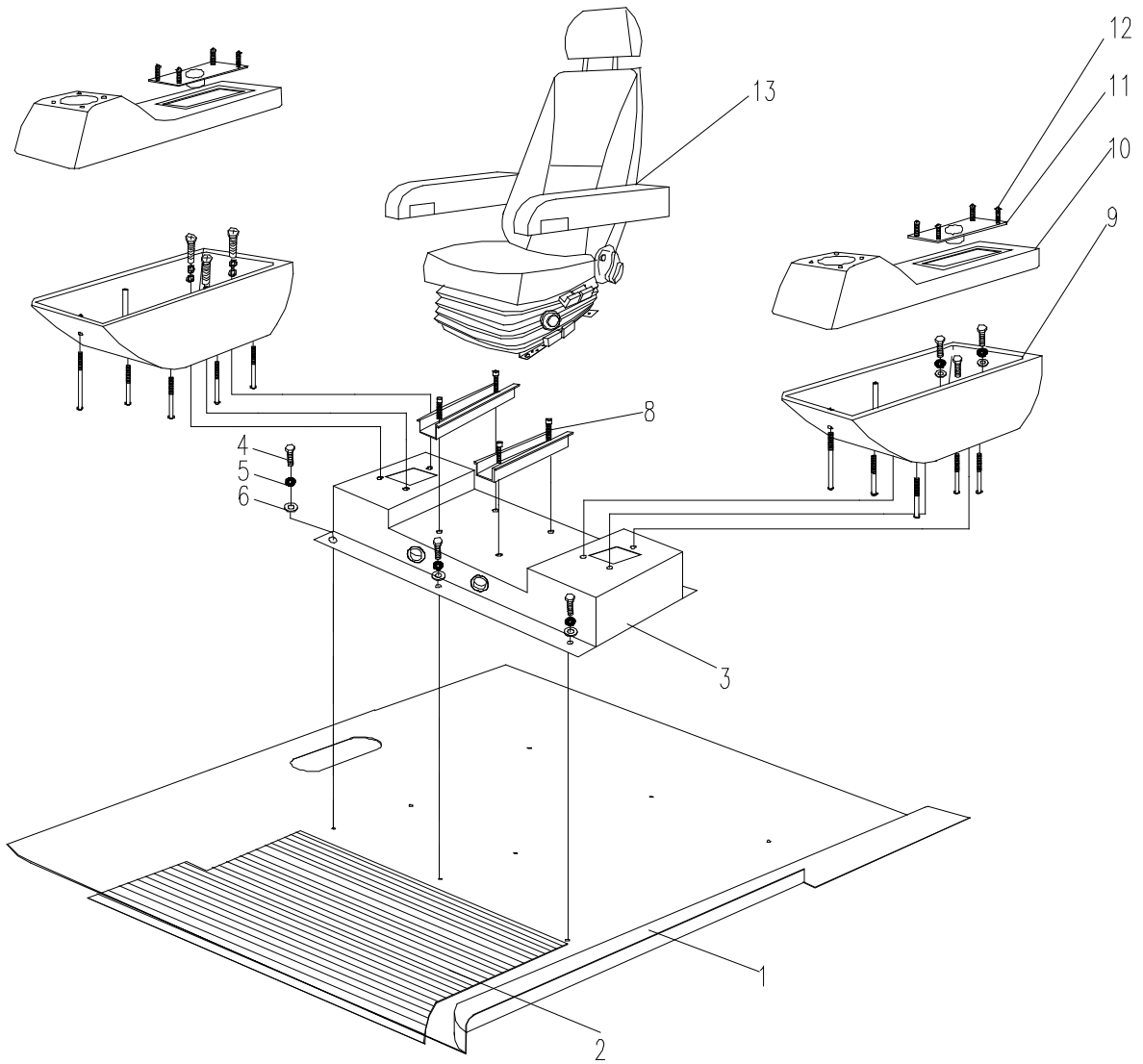
OPERATOR'S CAB-2 D1130000067Y



OPERATOR'S CAB-2 D1130000067Y

POS.	ITEM	DESCRIPTION & SPECIFICATION	QTY.	REMARKS
1	YLD07P/54-07011	Windshield	1	
2	KATIAO-RSC	Strip	1	
3	YLD07P/54-04011	Sliding window	1	
4	KATIAO-RSG	Strip	1	
5	YLD07P/54-07013	Windshield	1	
6	KATIAO-RSC	Strip	1	
7	YLD07P/54-07011	Sliding window	1	
8	KATIAO-RSC	Strip	1	
9	YLD07P/54-03011	Pane	1	
10	KATIAO-RSC	Strip	1	

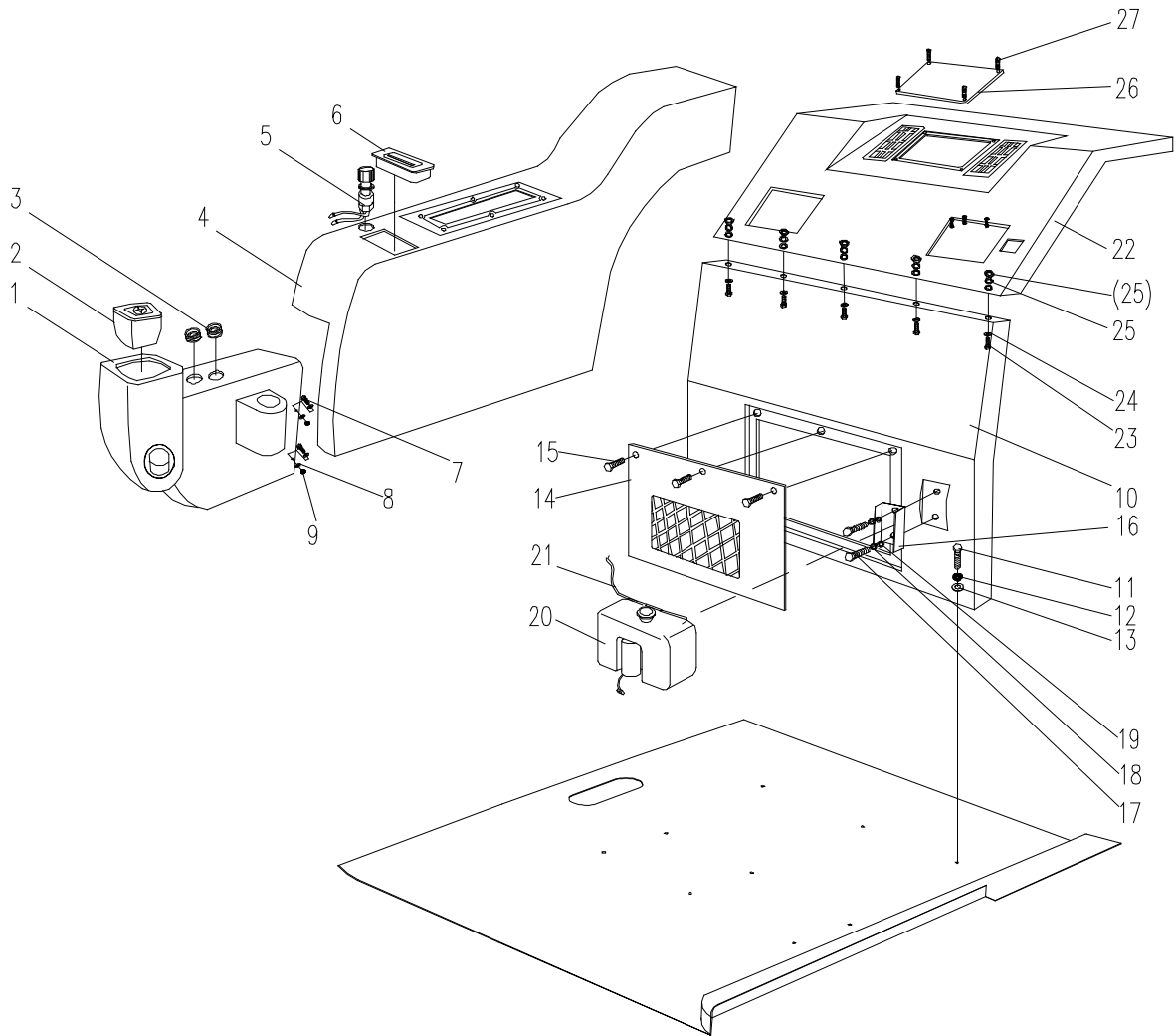
OPERATOR'S CAB-3 D1130000067Y



OPERATOR'S CAB-3 D1130000067Y

POS.	ITEM	DESCRIPTION & SPECIFICATION	QTY.	REMARKS
1	YLD07P/51-07070	Mat	1	
2	YLD07P/51-07071	Nonslipping pad	1	
3	YLD07P/51-07080	Seat base	1	
4	Q174B0820	Hex bolt	6	
5	Q40308	Spring washer	6	
6	Q40108	Flat washer	6	
8	Q2600825	Hex bolt	4	
9	QY60K	Control level assy.	2	
11	YLD07P/82-08011	Cover plate of control lever assy.		
12	Q2140820	Screw	4	
13	WPS-1	Seat assy.	1	

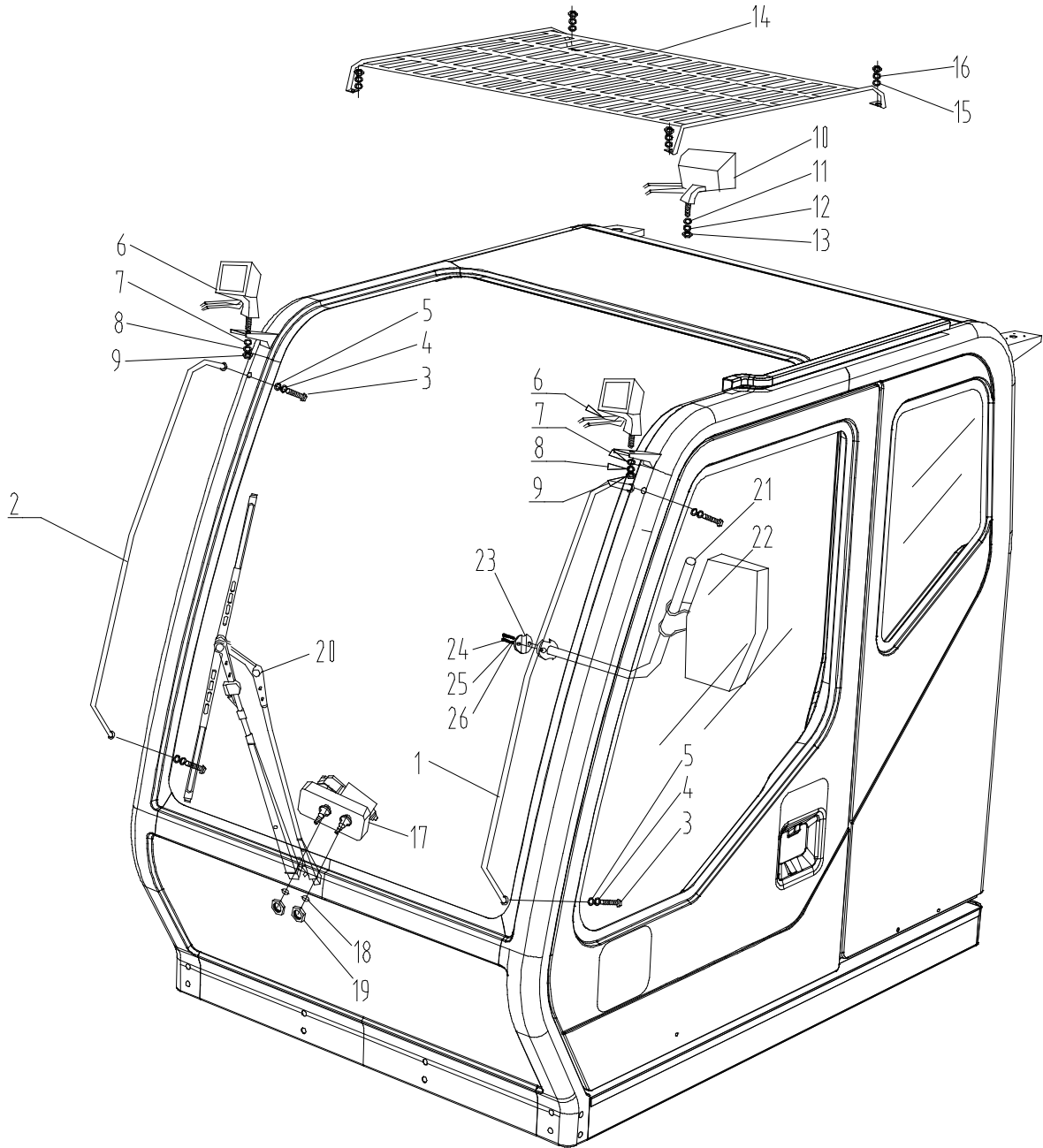
OPERATOR'S CAB-4 D1130000067Y



OPERATOR'S CAB-4 D1130000067Y

POS.	ITEM	DESCRIPTION & SPECIFICATION	QTY.	REMARKS
1	YLD07P/51-02011	Front box	1	
2	YLD07P	Storage box	1	
3		Rubber ring $\Phi 54$	2	
4	YLD07P/51-02013	Control box	1	
5	DY201	Cigarette lighter	1	
6	YHG101	Ashtray	1	
7	Q174B0620	Bolt	2	
8	Q40106	Flat washer	4	
9	Q40306	Spring washer	2	
10	YLD07P/51-02012	A/C housing	1	
11	Q174B0820	Bolt	3	
12	Q40308	Spring washer	3	
13	Q40108	Flat washer	3	
14	YLD07P/82-08022	A/C housing lower cover plate	1	
15	Q174B0620	Bolt	3	
16	PQP/53-06120	Water container bracket for wiper	1	
17	PQP/53-06120	Bolt	2	
18	Q40306	Spring washer	2	
19	Q40106	Flat washer	2	
20	SHUIHE-PQP	Water container for wiper	1	
21	SHUIGUAN-YLD07P	Hose assy. for windshield washer	1	
22	YLD07P-08071	A/C housing upper cover plate	1	
23	Q174B0620	Bolt	5	
24	Q40106	Flat washer	10	
25	Q40306	Spring washer	5	
26	YLD07P/82-08021	Small cover plate	1	
27	Q2140620	Screw	4	

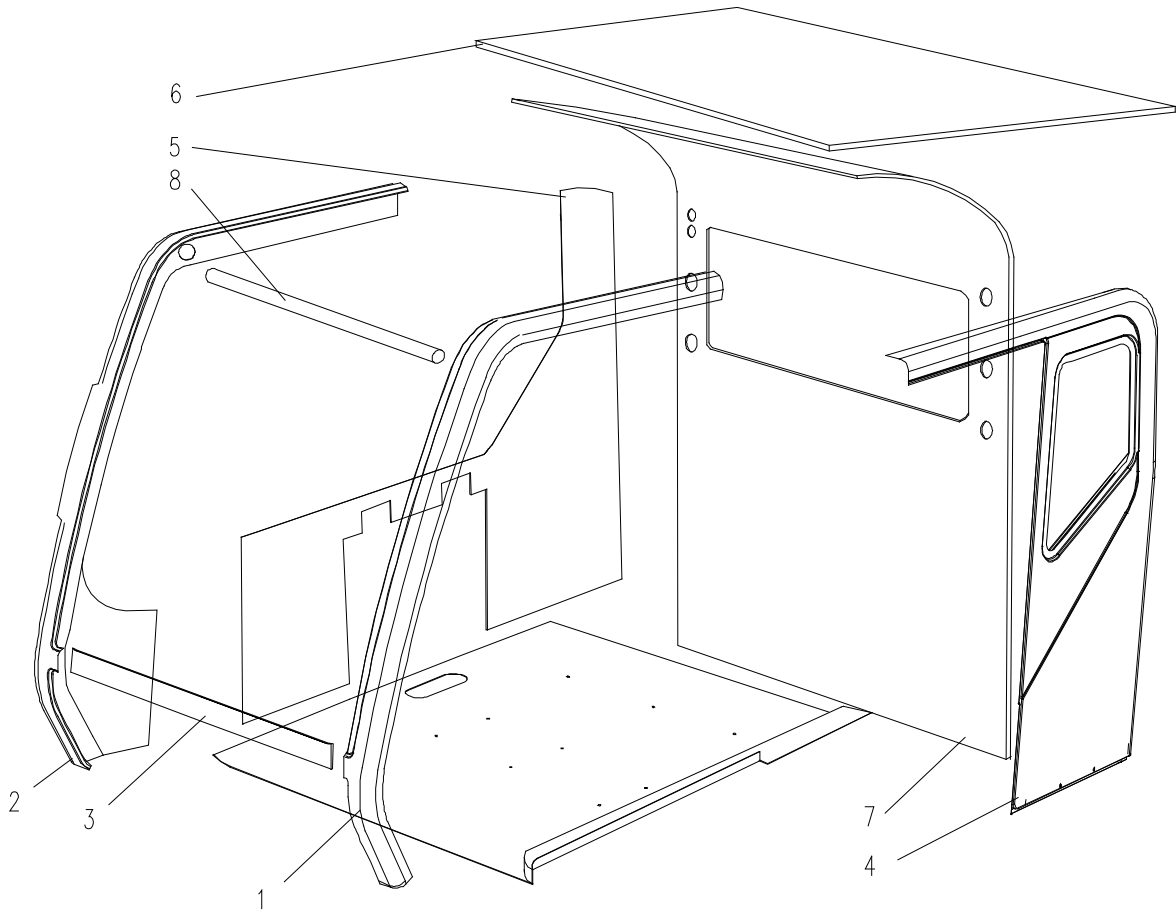
OPERATOR'S CAB-5 D1130000067Y



OPERATOR'S CAB-5 D1130000067Y

POS.	ITEM	DESCRIPTION & SPECIFICATION	QTY.	REMARKS
1	YLD07P/53-01070	Handrail assy.	1	
2	YLD07P/53-01080	Handrail assy.	1	
3	Q150B1020	Bolt	4	
4	Q40310	Spring washer	4	
5	Q40110	Flat washer	4	
6	WD135×80-2	Work light	2	
7	Q40110	Flat washer	2	
8	Q40310	Spring washer	2	
9	Q340B10	Nut	2	
10	WD135×80-2	Work light	1	
11	Q40110	Flat washer	1	
12	Q40310	Spring washer	1	
13	Q340B10	Nut	1	
14	YLD07P/57-03010	Guard rail	1	
15	Q40110	Flat washer	4	
16	Q40310	Spring washer	4	
17	ZD2731D-50	Front wiper motor	1	
18	Q40106	Flat washer	1	
19	Q370C06	Nut	1	
20	700×600	Wiper blade	1	
21	YLD07P/53-05071	Rearview mirror stay	1	
22	DASHIYE	Rearview mirror	1	
23	YLD07P/53-05072	Rearview mirror seat	1	
24	Q2140620	Bolt	2	
25	Q40306	Spring washer	2	
26	Q40106	Flat washer	2	

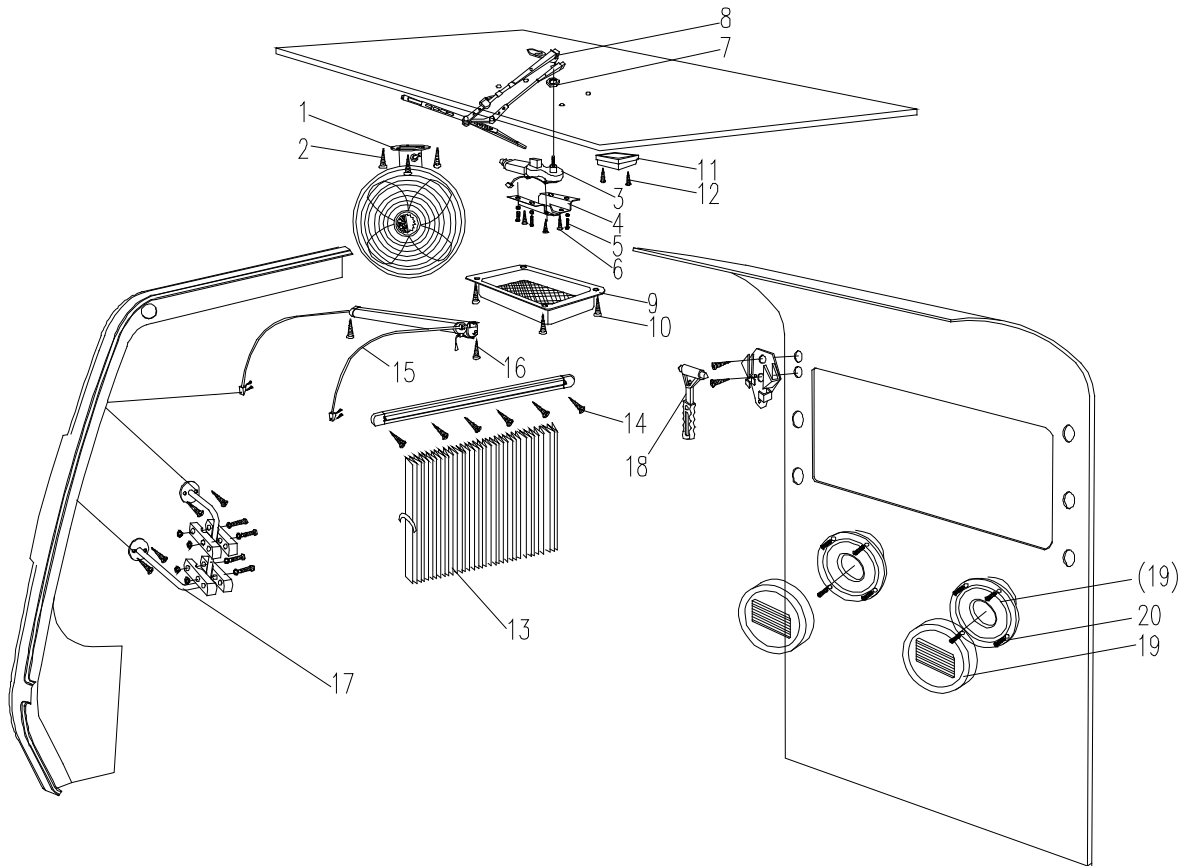
OPERATOR'S CAB-6 D1130000067Y



OPERATOR'S CAB-6 D1130000067Y

POS.	ITEM	DESCRIPTION & SPECIFICATION	QTY.	REMARKS
1	YLD07P/53-07031	Inner guard board of left front vertical	1	
2	YLD07P/53-07041	Inner guard board of right front vertical post	1	
3	YLD07P/53-07042	Inner guard board of front cross beam	1	
4	YLD07P/54-07011	Inner guard board of left boarding	1	
5	YLD07P/54-07012	Inner guard board of right boarding	1	
6	YLD07P/57-07010	Inner guard board of ceiling	1	
7	YLD07P/56-07011	Inner guard board of rear boarding	1	
8		Sun visor cross rail $\Phi 30$	1	

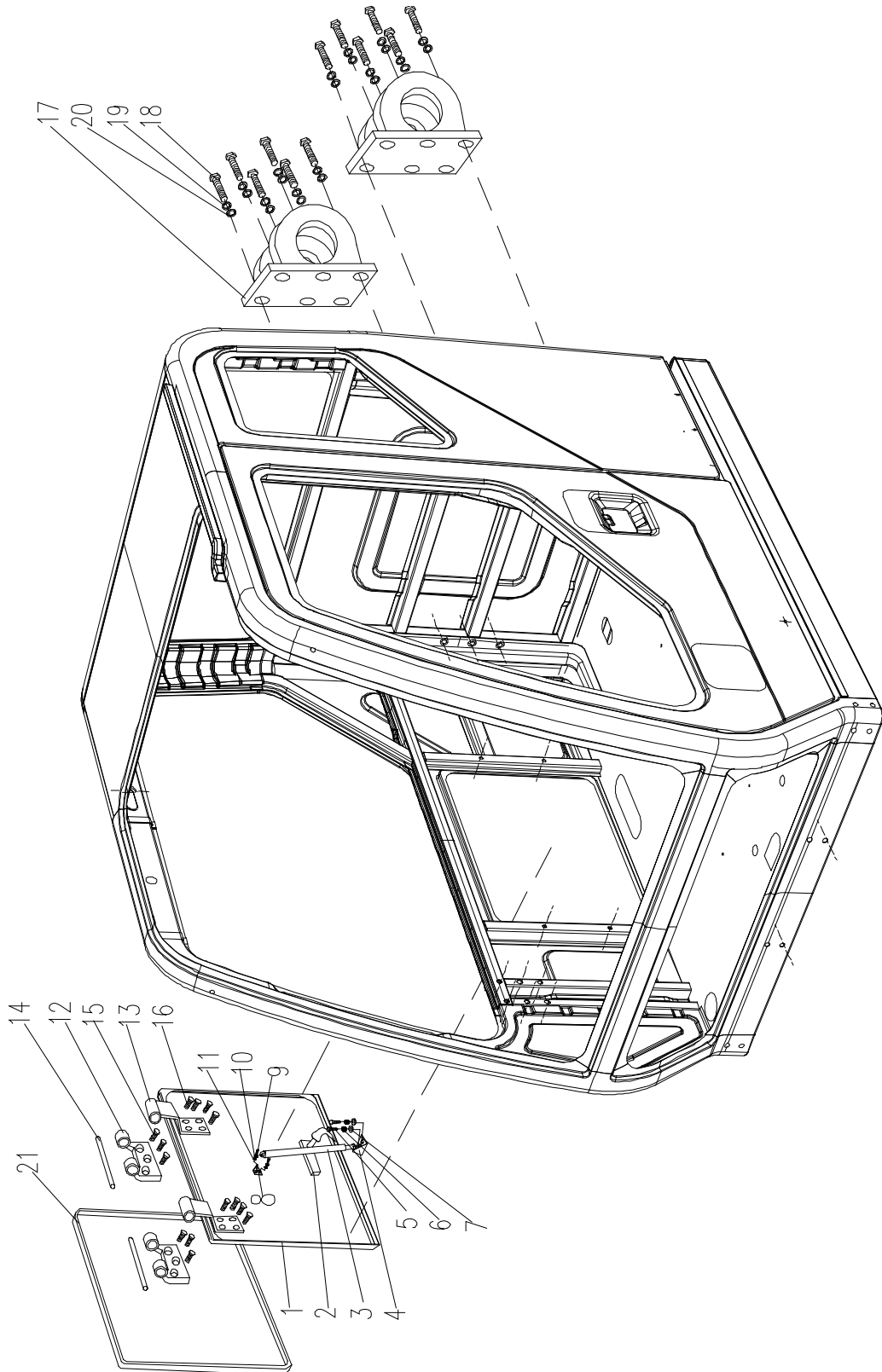
OPERATOR'S CAB-7 D1130000067Y



OPERATOR'S CAB-7 D1130000067Y

POS.	ITEM	DESCRIPTION & SPECIFICATION	QTY.	REMARKS
1	BFG28	Fan	1	
2	Q2140620	Bolt	3	
3	ZD2330A-5	Roof wiper motor	1	
4	RSG/57-05010	Roof wiper motor bracket	1	
5	Q2140620	Bolt	4	
6		Screw	3	
7	Q340B16	Nut	1	
8	450x400	Roof wiper blade	1	
9	RSG2/37-02012	Roof wiper motor housing	1	
10	Q2713516	Screw	4	
11	EQ153	Roof lamp	1	
12	Q2713516	Screw	1	
13	YLD07/54-01212	Curtain assy.	1	
14	Q2713516	Screw	6	
15	YLD07/82-08120	Sun visor with guide rail	1	
16	Q2713516	Screw	2	
17	YLD07P/53-02061	Monitor support	1	
18	TDC-201	Emergency hammer	1	
19	PW21	Loud speaker assy.	2	
20	Q2140620	Screw	8	

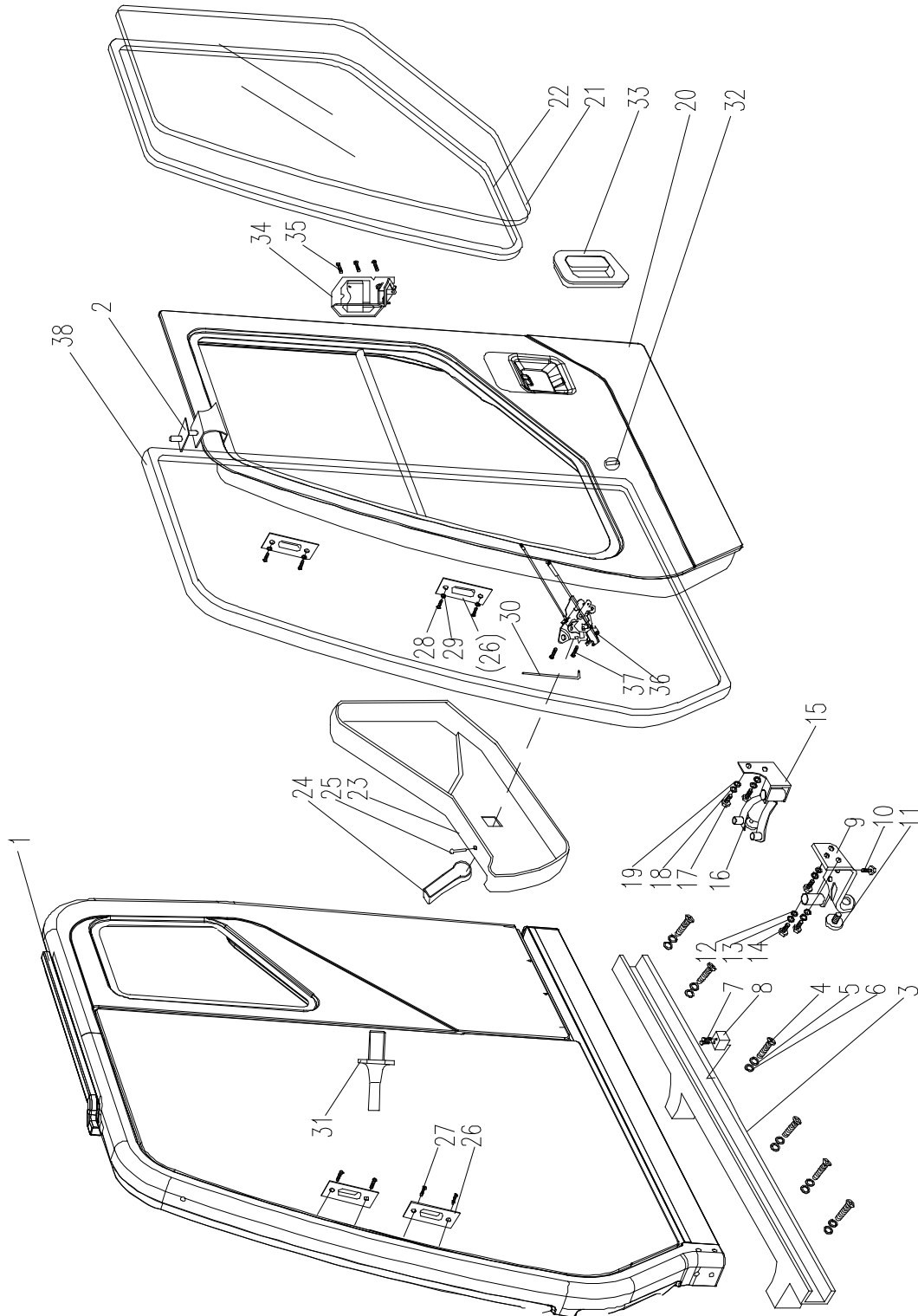
OPERATOR'S CAB-8 D1130000067Y



OPERATOR'S CAB-8 D1130000067Y

POS.	ITEM	DESCRIPTION & SPECIFICATION	QTY.	REMARKS
1	YLD07P/54-07080	Inspection hole cover	1	
2	DQS-101	Lock on inspection hole cover	1	
3	380	Pneumatic spring assy.	1	
4	PW06SJN-1	Pneumatic spring bracket	1	
5	Q2140620	Bolt	2	
6	Q40306	Spring washer	2	
7	Q40106	Flat washer	2	
8	PW06SJN-2	Pneumatic spring bracket	1	
9	Q2140620	Bolt	2	
10	Q40306	Spring washer	2	
11	Q40106	Flat washer	2	
12	YLD07P/54-07094	Boom-hinge assy.	2	
13	YLD07P/54-07091/92	Left/right jib-hinge assy.	2	
14	YLD07P/56-07093	Pin spindle-hinge assy.	2	
15	Q2140620	Bolt	6	
16	Q2140620	Bolt	6	
17	YLD07P/56-02013	Support	2	
18	Q150B16	Bolt	12	
19	Q40316	Spring washer	12	
20	Q40116	Flat washer	12	

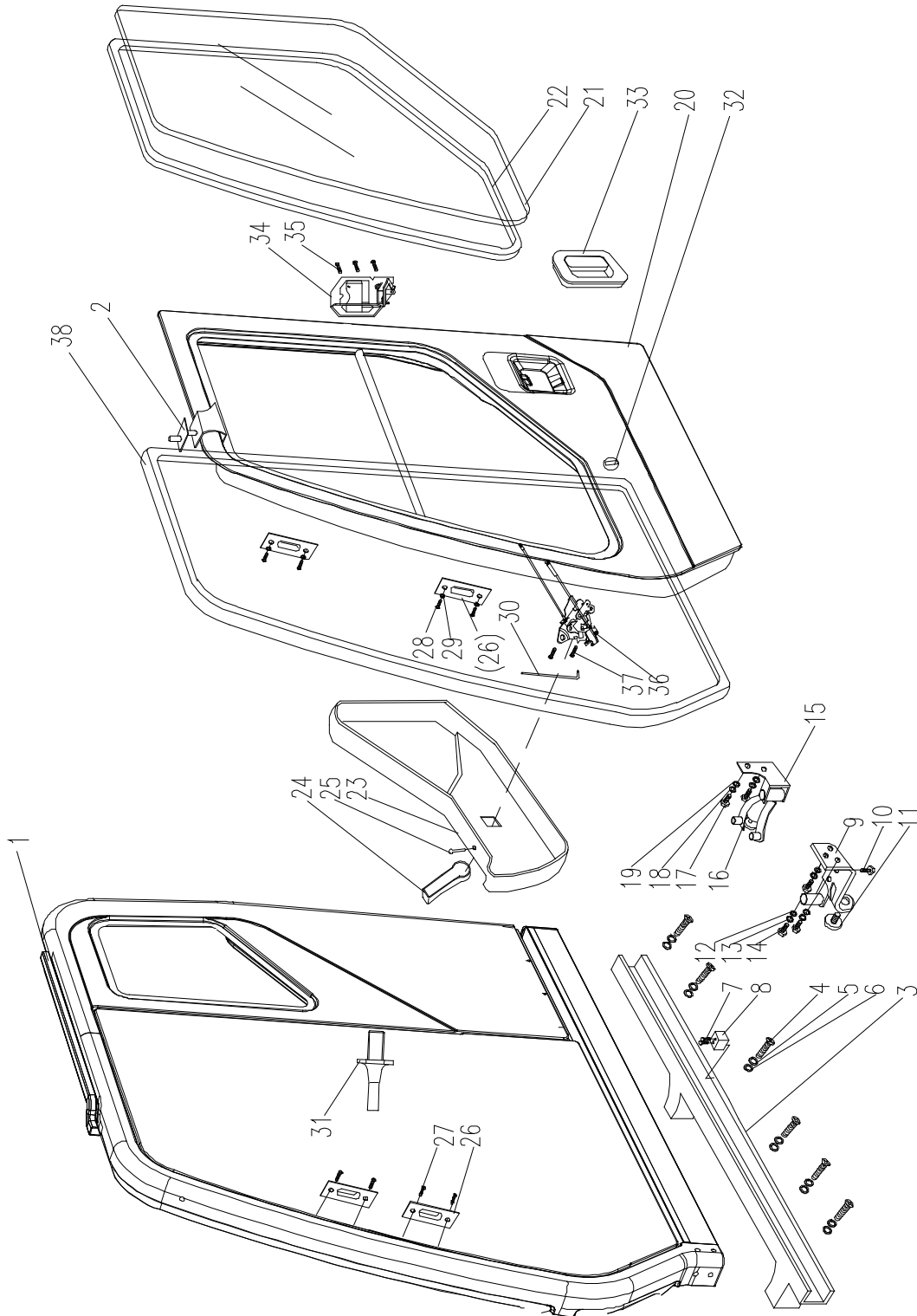
OPERATOR'S CAB-9 D1130000067Y



OPERATOR'S CAB-9 D1130000067Y

POS.	ITEM	DESCRIPTION & SPECIFICATION	QTY.	REMARKS
1	YLD7P/57-02010	Roller guide channel on door	1	
2	YLD7P/61-03010	Hinge bracket assy.	1	
3	YLD7P/51-08011	Guide channel, door	1	
4	Q2140620	Bolt	6	
5	Q40306	Spring washer	6	
6	Q40106	Flat washer	6	
7	YLD7P/61-0706	Limit alnico assy.	1	
8	Q2140620	Bolt	2	
9	YLD7P/61-03020	Fixing bracket assy.	1	
10	Q1740815	Bolt	1	
11	Z629	Bearing	1	
12	Q1740815	Bolt	3	
13	Q40308	Spring washer	3	
14	Q40108	Flat washer	3	
15	YLD7P/61-03030	Pulley bracket assy.	1	
16	Z629	Bearing	1	
17	Q1740815	Bolt	2	
18	Q40308	Spring washer	2	
19	Q40108	Flat washer	2	
20	YLD7P/61-00010	Left door	1	
21	YLD07P/61-03011	Left door glass	1	
22	KATIAO-RSC	Strip	1	
23	YLD07P/61-07050	Door inner guard board	1	
24	NLS-DF	Inside handle of left door	1	
25	RDGD	Inside door lock switch	1	
26	DWK-DF	Positioning block of door	2	
27	Q2140620	Bolt	4	
28	Q2140620	Bolt	4	
29	Q40106	Flat washer	4	
30	YLD07P/61-07012	Connecting rod of inside lock	1	
31	YLD07P/54-07048	Occlusion, vehicle door	1	
32	SGS05P	Inside lock assy.	1	
33	WKL-DF	Grab handle	1	
34	ST-DF	Door lock	1	

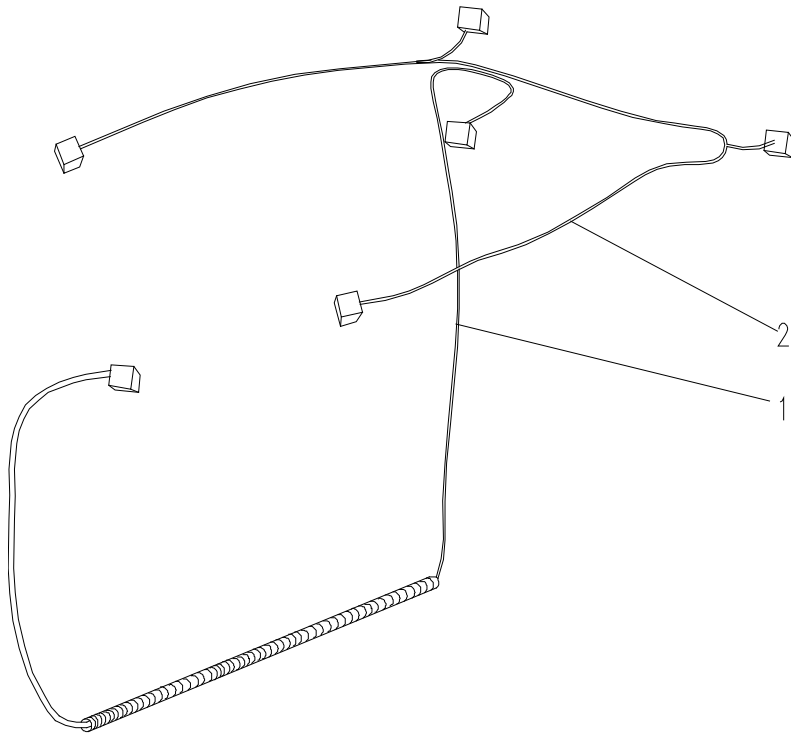
OPERATOR'S CAB-9 D1130000067Y



OPERATOR'S CAB-9 D1130000067Y

POS.	ITEM	DESCRIPTION & SPECIFICATION	QTY.	REMARKS
35	Q2140620	Screw	3	
36	STZH-DF	Lock	1	
37	Q2140620	Bolt	2	
38	YLD07P/61-07111	Sealing strip	1	

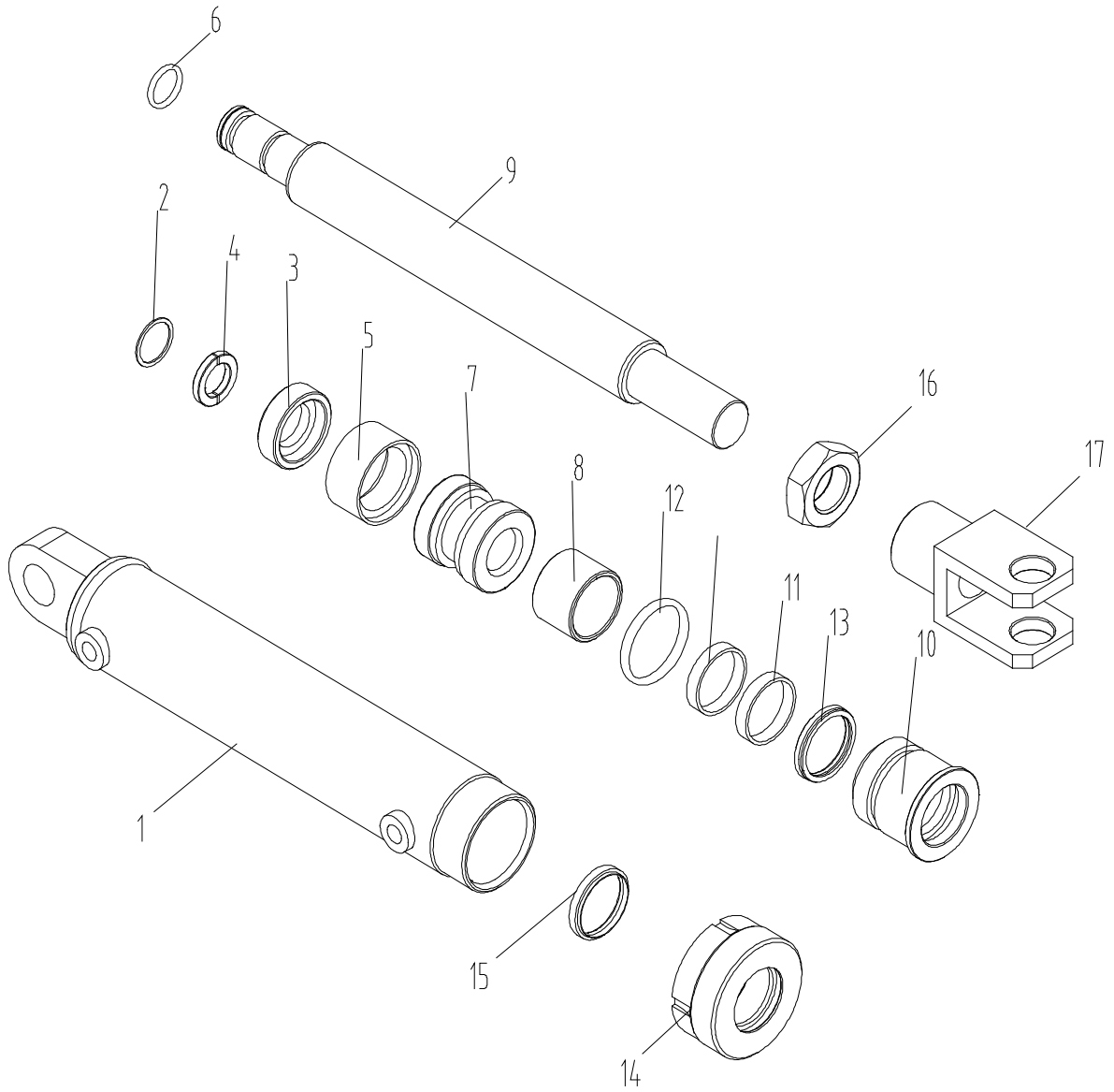
OPERATOR'S CAB-10 D1130000067Y



OPERATOR'S CAB-10 D1130000067Y

POS.	ITEM	DESCRIPTION & SPECIFICATION	QTY.	REMARKS
1	YLD07P/40-24070	Cable harness assy. of front pillar	1	
2	YLD07P/40-24080	Cable harness assy. of ceiling	1	

OPERATOR'S CAB LUFFING CYLINDER D1010200003Y



OPERATOR'S CAB LUFFING CYLINDER D1010200003Y

POS.	ITEM	DESCRIPTION & SPECIFICATION	QTY.	REMARKS
1	00663108410101000	Cylinder	1	
2	1040300153	Retaining ring32	1	
3	00656908411000006	Sleeve ring	1	
4	00656908411000005	Retaining ring	1	
5	1081000233	D-A-S combination seal ring	1	
6	1081000052	O-ring 32×3.5	1	
7	00657308402000001	Piston	1	
8	00663508410100004	Spacing sleeve	1	
9	00663508410102000	Piston rod	1	
10	00630708420500002	Guide sleeve	1	
11	1081400833	Guide ring 50×45×9.7	2	
12	1081000027	O-ring 63×5.7	1	
13	1081002286	U-ring 45×55×7.3	1	
14	00657308402000005	cap	1	
15	1081200014	Dust ring 45×53×6	1	
16	1040200205	Nut M36×3-04	1	
17	00663508410100005	Link fork	1	

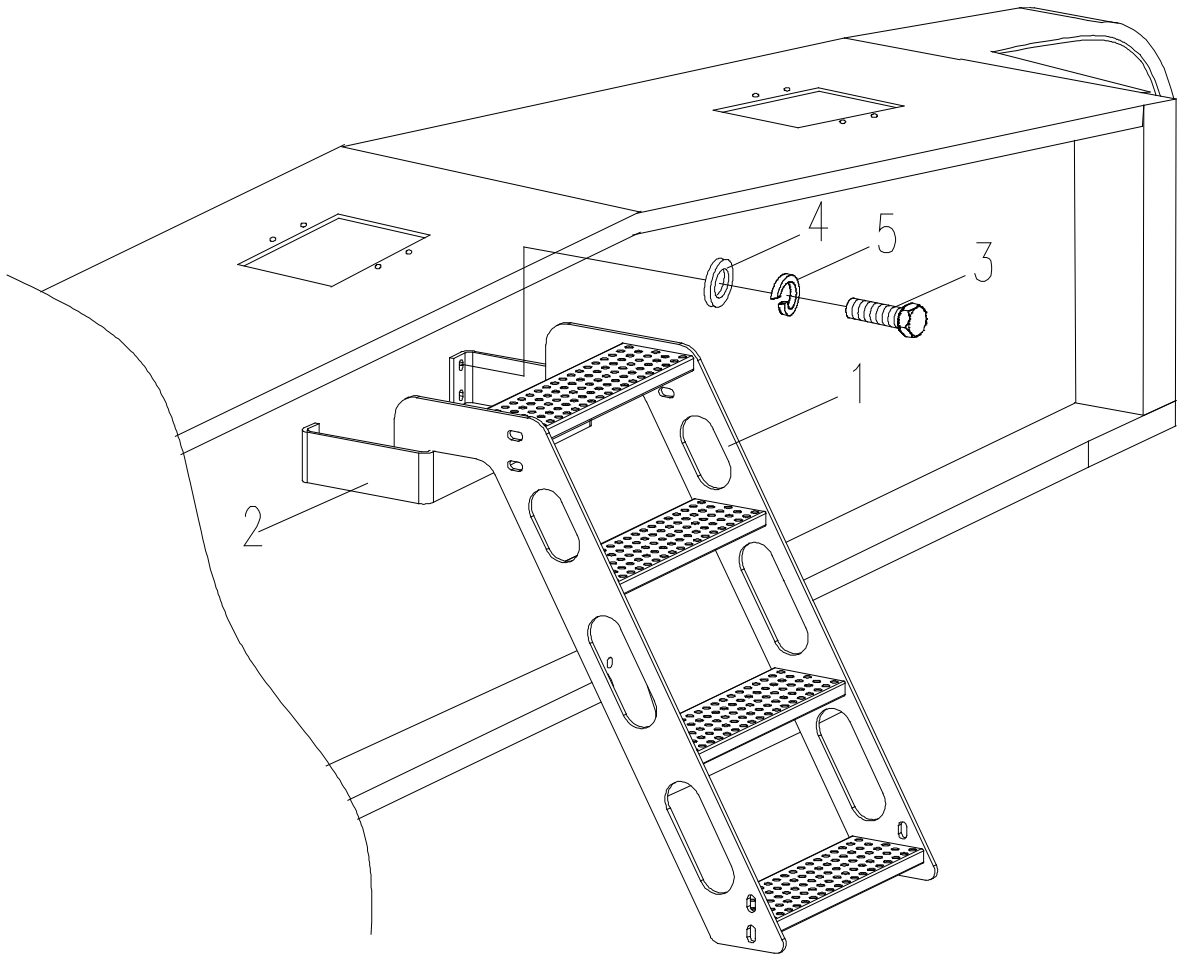


Crawler Crane Spare Parts Catalog

Chapter 9 Undercarriage system



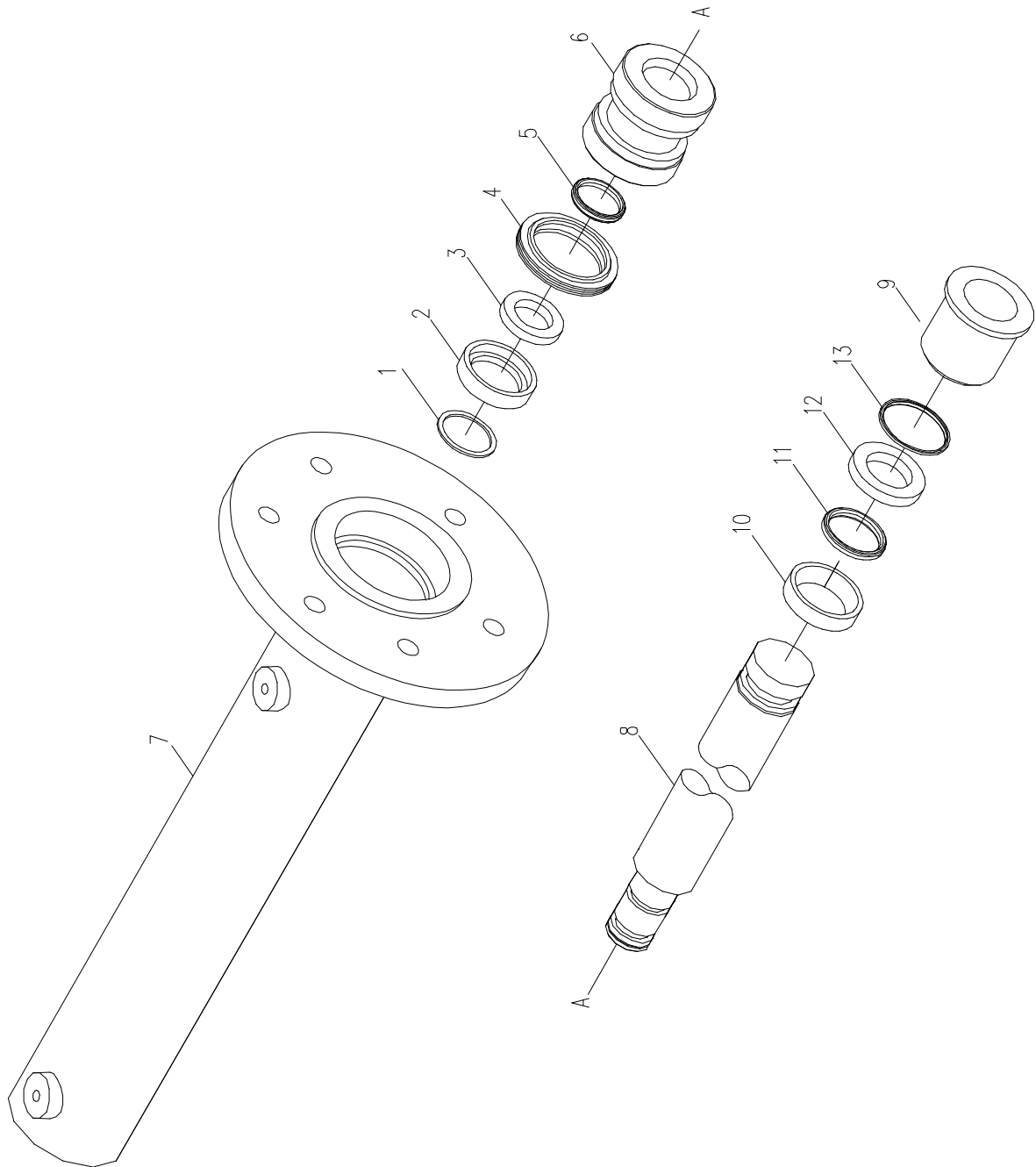
CRAWLER CARRIER STAIR ASSEMBLY D0066330470060001Y



CRAWLER CARRIER STAIR ASSEMBLY D0066330470060001Y

POS.	ITEM	DESCRIPTION & SPECIFICATION	QTY.	REMARKS
1	00663304700640000	Crawler carrier stair	1	▲
1	1109900000	Aluminum ladder on crawler carrier	1	△
2	00663304700660001	Support	2	
3	1040000108	Bolt M12x30-8.8 GB/T5783-2000	8	
4	1040300041	Washer 12-200HV GB/T97.1-2002	8	
5	1040300054	Washer 12 GB/T93-1987	8	

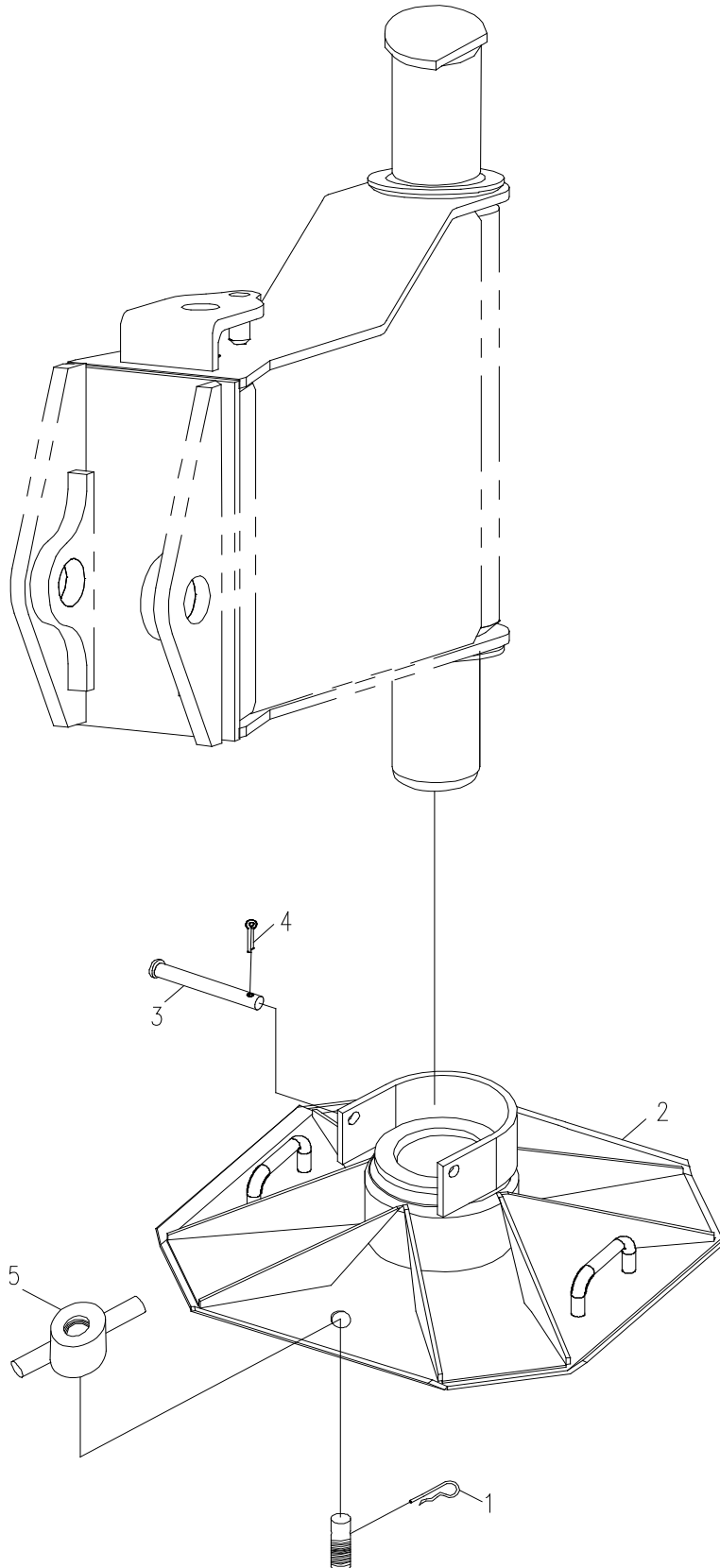
CRAWLER CARRIER BOLTING CYLINDER D0066330320000000Y



CRAWLER CARRIER BOLTING CYLINDER D00663303200000000Y

POS.	ITEM	DESCRIPTION & SPECIFICATION	QTY.	REMARKS
1	1040300153	Retaining ring 32 GB/T894.1-1986	1	
2	00663303200001030	Sleeve ring	1	
3	00663303200001040	Retaining ring	1	
4	1081000233	D-A-S combination seal ring	1	
5	1081000052	O-ring 32x3.5 GB1235-1976	1	
6	00663305300001010	Piston	1	
7	00663303200200000	Cylinder	1	
8	00663303200001020	Piston rod	1	
9	00663303200001010	Guide sleeve	1	
10	1081400115	Support ring	1	
11	1081000027	O-ring 63x5.7 GB1235-1976	1	
12	1081000232	U-ring	1	
13	1081200014	Dust ring 45x53x6	1	

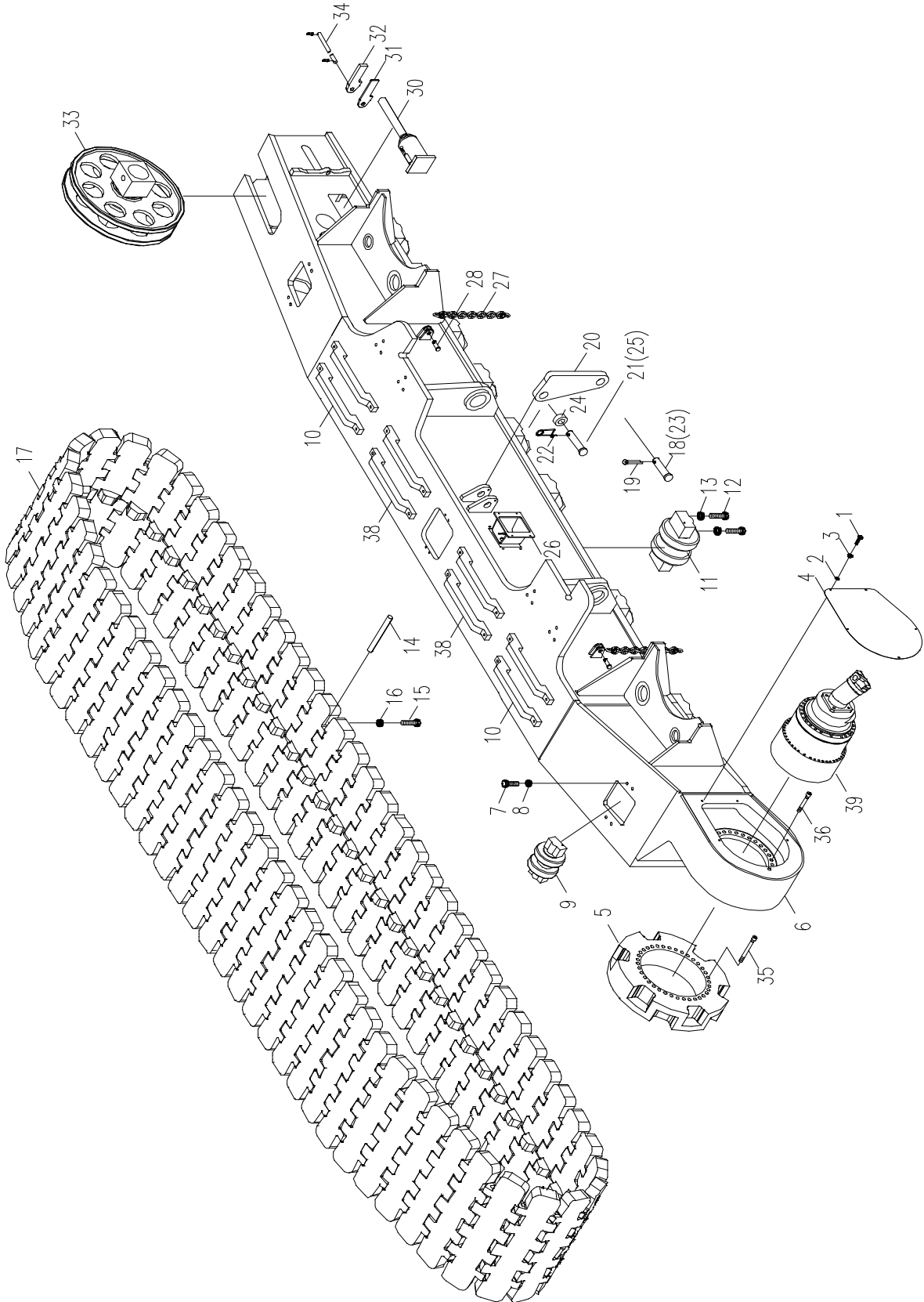
OUTRIGGER PLATE ASSEMBLY D0066340081000000Y



OUTRIGGER PLATE ASSEMBLY D0066340081000000Y

POS.	ITEM	DESCRIPTION & SPECIFICATION	QTY.	REMARKS
1	006340000032	Retaining spring (D16,18,20)	8	
2	00663400810200000	Outrigger pad	4	
3	00663300800001011	Pin spindle	4	
4	006340000035	Retaining spring (D12,14,16,18)	4	
5	00663400810210000	Nut	8	

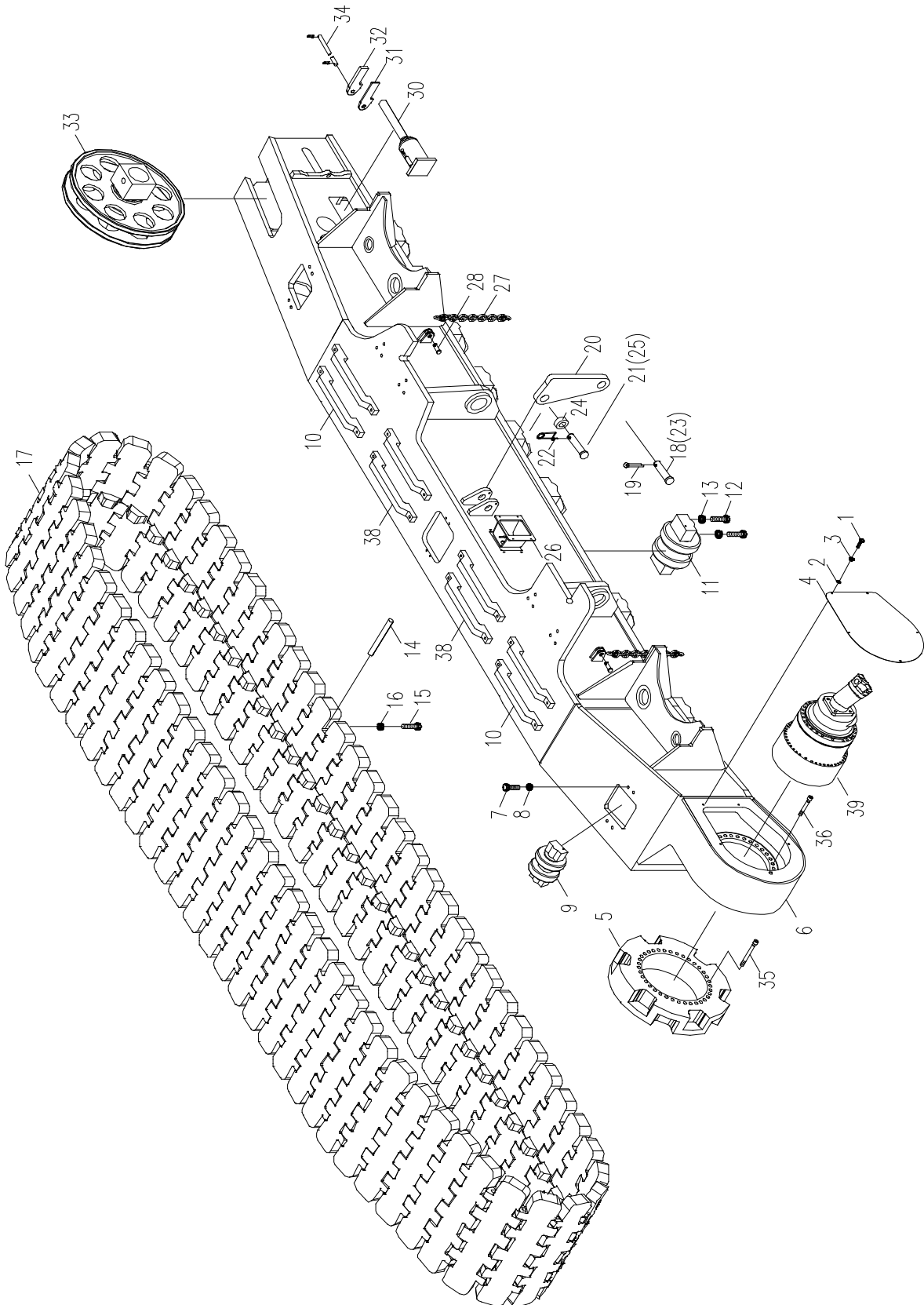
LEFT CRAWLER CARRIER ASSY. D0066340242000000Y



LEFT CRAWLER CARRIER ASSY. D0066340242000000Y

POS.	ITEM	DESCRIPTION & SPECIFICATION	QTY.	REMARKS
1	1040000116	Bolt M10X20-8.8 GB/T5783-2000	10	
2	1040300067	Washer 10 GB/T93-1987	10	
3	1040300061	Washer 10-200HV GB/T97.1-2002	10	
4	00663302400001011	Closed plate	1	
5	1031400034	Drive sprocket	1	
6	00663402420600000	Left crawler carrier and its attachments welded	1	
7	1040000145	Bolt M16x80-8.8 GB/T5783-2000	28	
8	1040300052	Washer 16-200HV GB/T97.1-2002	164	
9	1031400001	Track carrier roller assy.	3	
10	00663402420001020	Track carrier plate	4	
11	1031400002	Track roller	14	
12	1040000349	Bolt M30x180-10.9 GB/T1228-1991	56	
13	1040300178	Washer 30 GB/T1230-1991	56	
14	00663302400001022	Cotter pin	134	
15	1040000065	Bolt M16x45-8.8 GB/T5783-2000	134	
16	1040200161	Nut M16-8 GB/T889-1986	134	
17	1031400000	Track pad	67	
18	00663302400001042	Pin spindle	1	
19	1040500003	Cotter pin 2.5x30 GB/T91-2000	10	
20	00663302400001120	Lifting eye	3	
21	00663302400001032	Pin spindle	1	
22	00663605400201020	Retaining spring	7	
23	00663502400001060	Pin spindle	2	
24	00663502400001070	Spacing sleeve	8	
25	00663502400001050	Pin spindle	2	
26	00663402520001010	Quick-release coupling bracket	1	
27	1090100010	Lifting chain 10x30x900 ST100	4	
28	00663302400001052	Pin spindle	4	
30	00663302400001061	Thrust rod	2	
31	00663302400001101	Pad	14	
32	00663302400001111	Pad	4	
33	1031400003	Driven sprocket assy.	1	
34	00663302400001131	Pin spindle	2	
35	1040100310	Screw M33x200-10.9 GB/T70.1-2000	30	

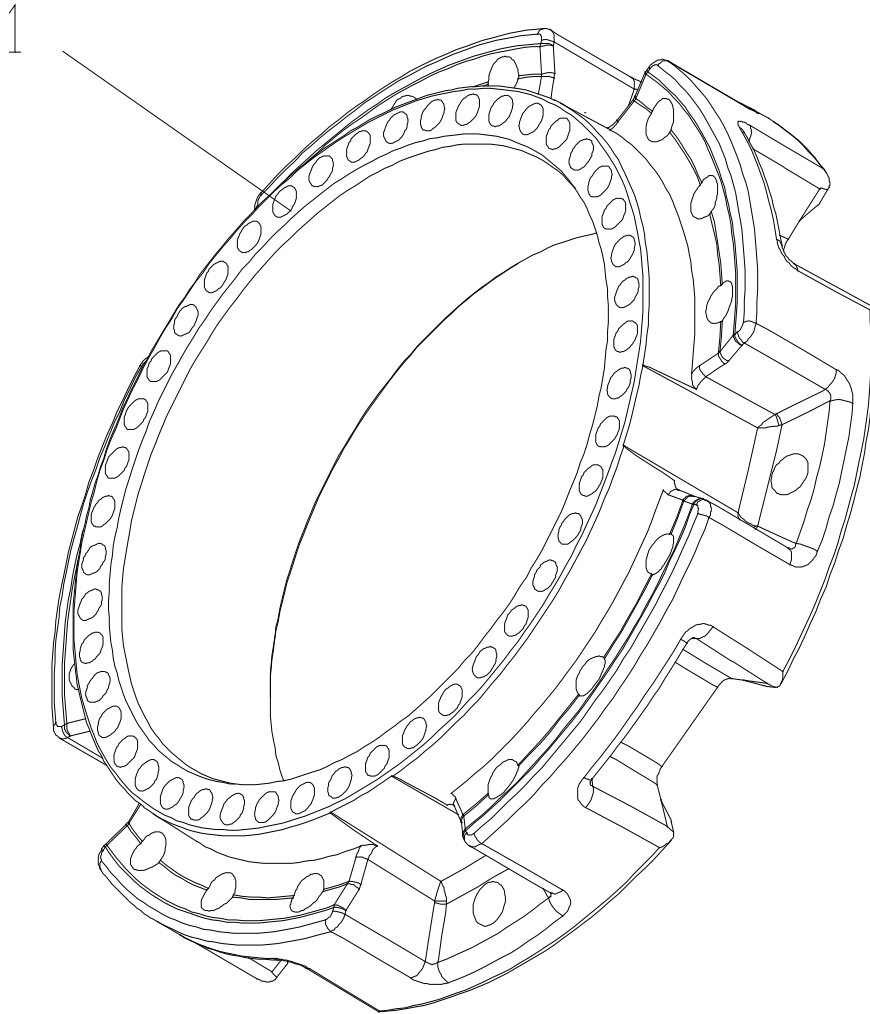
LEFT CRAWLER CARRIER ASSY. D0066340242000000Y



LEFT CRAWLER CARRIER ASSY. D0066340242000000Y

POS.	ITEM	DESCRIPTION & SPECIFICATION	QTY.	REMARKS
36	1040100373	Screw M33x110-10.9 GB/T70.1-2000	30	
37	202230025	1277 Thread sealant	1	E
38	00663302400001140	Track carrier plate	4	
39	1030200010	Travel motor+reducer	1	

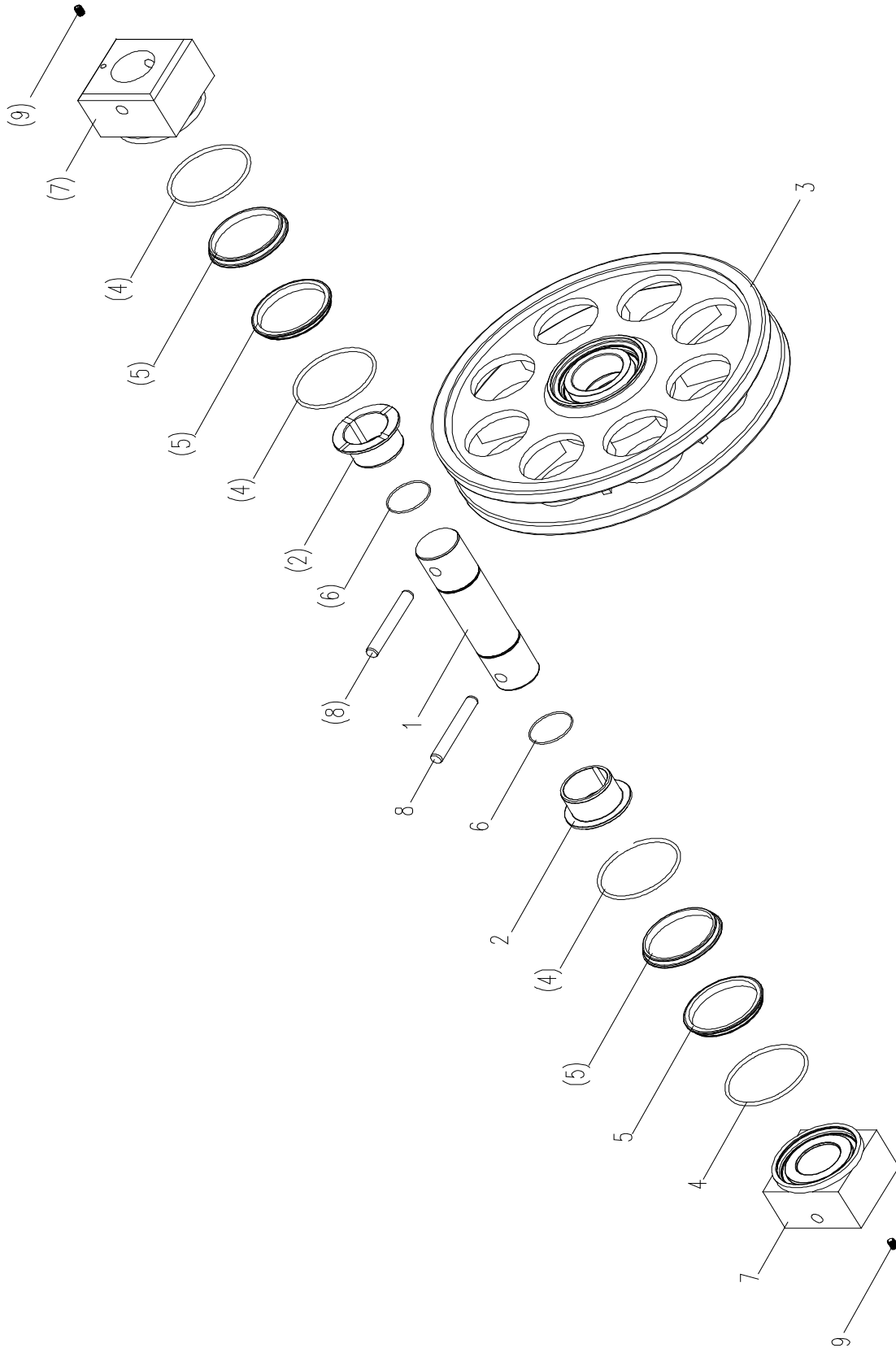
DRIVE SPROCKET D1031400034Y



DRIVE SPROCKET D1031400034Y

POS.	ITEM	DESCRIPTION & SPECIFICATION	QTY.	REMARKS
1	0201800901	Drive sprocket	1	

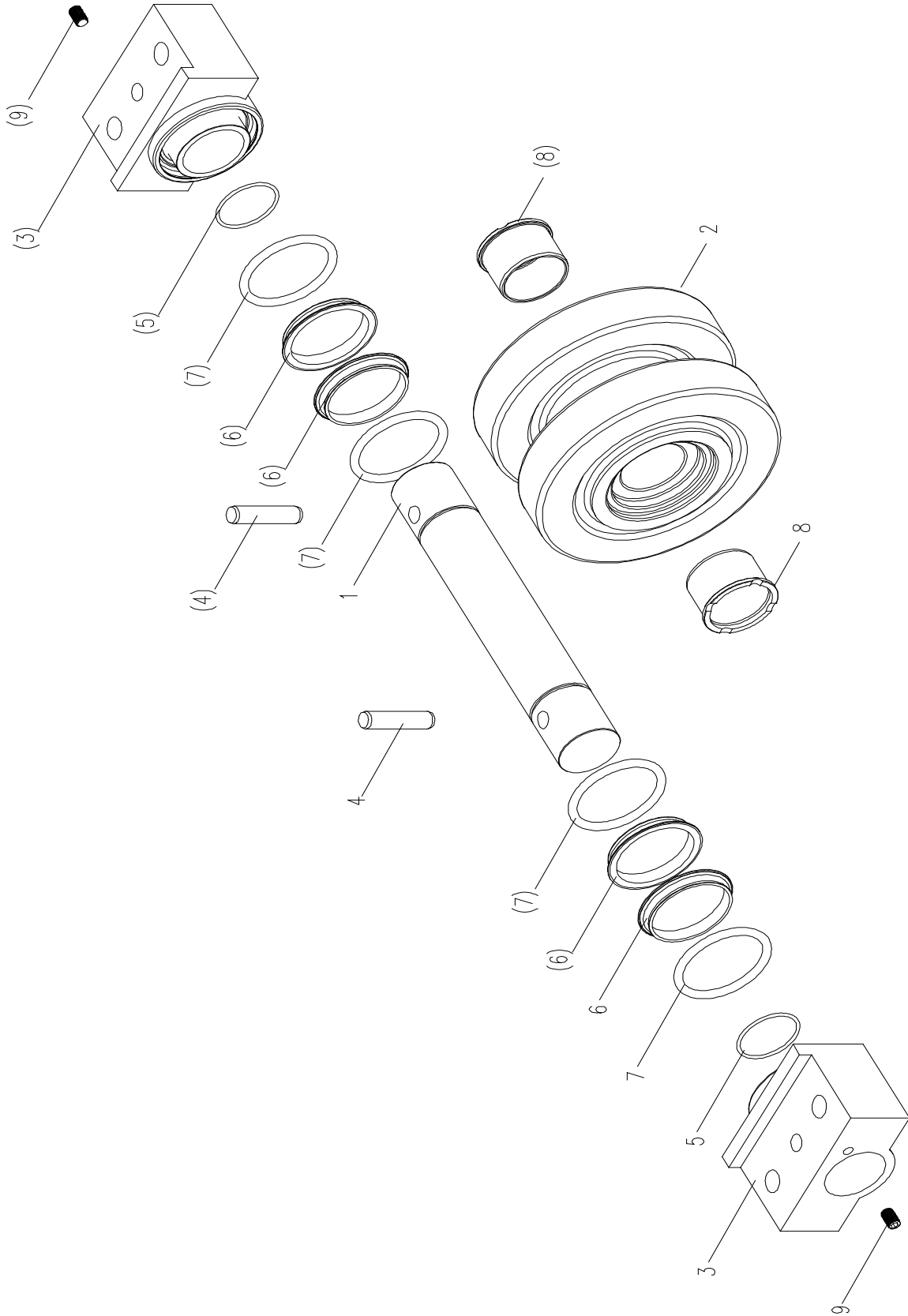
DRIVEN SPROCKET ASSY. D103140003Y



DRIVEN SPROCKET ASSY. D1031400003Y

POS.	ITEM	DESCRIPTION & SPECIFICATION	QTY.	REMARKS
1	0201800805	Shaft	1	
2	0201800806	Shaft sleeve	2	
3	0201800801	Guiding roller	1	
4	0201230206	O-ring $\Phi 185 \times 12.9$	4	
5	0201230205	Flow oil-seal ring $\Phi 210.5 \times 182 \times 19$	4	
6	0201230208	O-ring $\Phi 130 \times 5.7$	2	
7	0201800804	Shaft seat	2	
8	0201800807	Cylindrical pin 30x220	2	
9	0201800104	Plug R1/4	2	

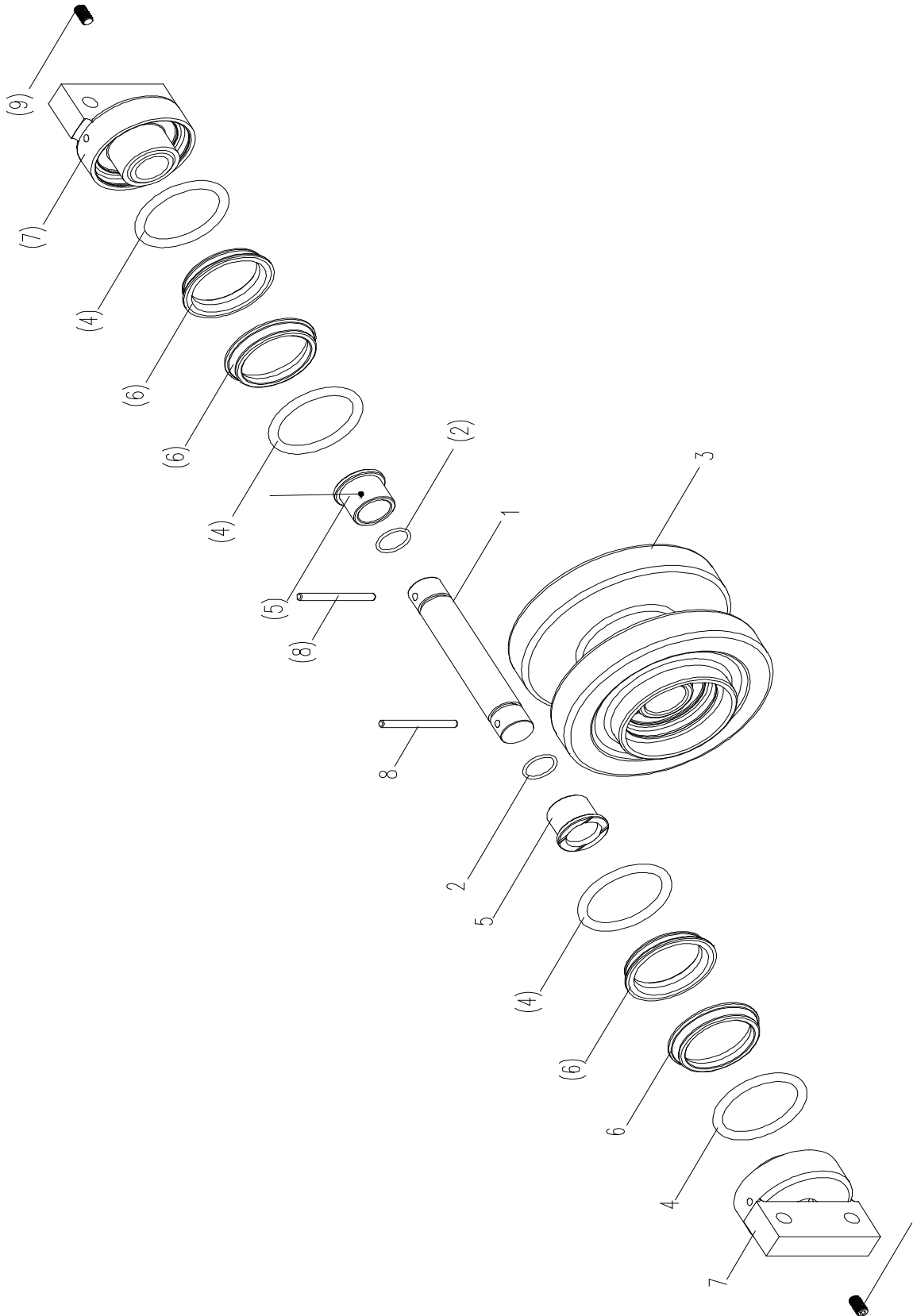
TRACK ROLLER D103140002Y



TRACK ROLLER D1031400002Y

POS.	ITEM	DESCRIPTION & SPECIFICATION	QTY.	REMARKS
1	0201800402	Shaft	1	
2	0201800401	Track roller body	1	
3	0201800403	Shaft seat	2	
4	0201800404	Cylindrical pin 20x128	2	
5	0201020312	O-ring 85x3.1	2	
6	0201230106	Flow oil-seal ring $\Phi 150 \times 130 \times 16$	4	
7	0201230107	O-ring $\Phi 136 \times 9.5$	4	
8	0201500404	Shaft sleeve	2	
9	0201800104	Plug R1/4	2	

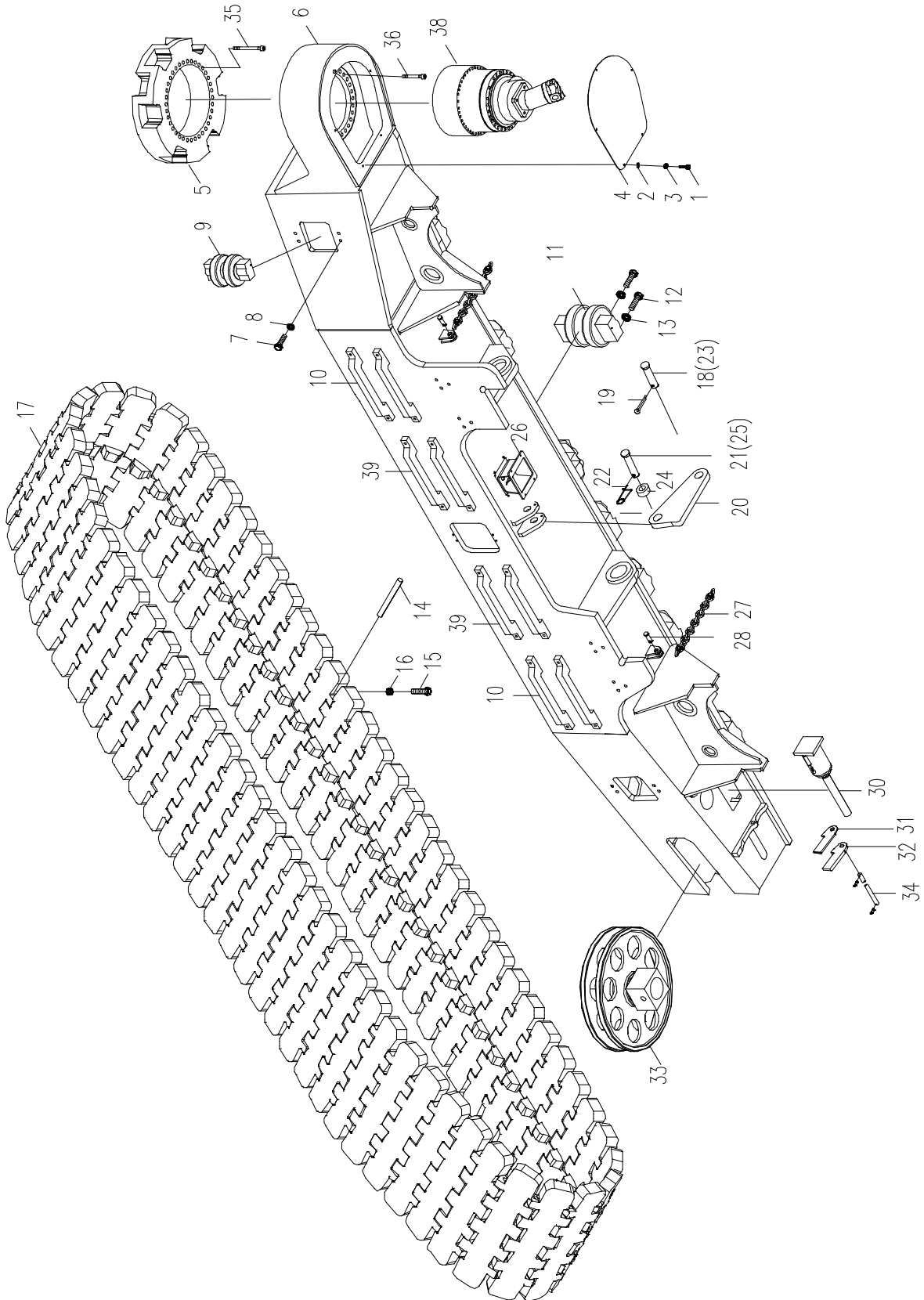
TRACK CARRIER ROLLER ASSY. D1031400001Y



TRACK CARRIER ROLLER ASSY. D1031400001Y

POS.	ITEM	DESCRIPTION & SPECIFICATION	QTY.	REMARKS
1	0201800203	Shaft	1	
2	0201220104	O-ring $\Phi 35 \times 3.1$	2	
3	0201800201	Track carrier roller	1	
4	0201720306	O-ring $\Phi 68 \times 3.1$	4	
5	0201801104	Shaft sleeve	2	
6	0201720305	Flow oil-seal ring $\Phi 78 \times 64 \times 12.5$	4	
7	0201800202	Shaft seat	2	
8	0201380305	Cylindrical pin B12x90	2	
9	0201800104	Plug R1/4	2	

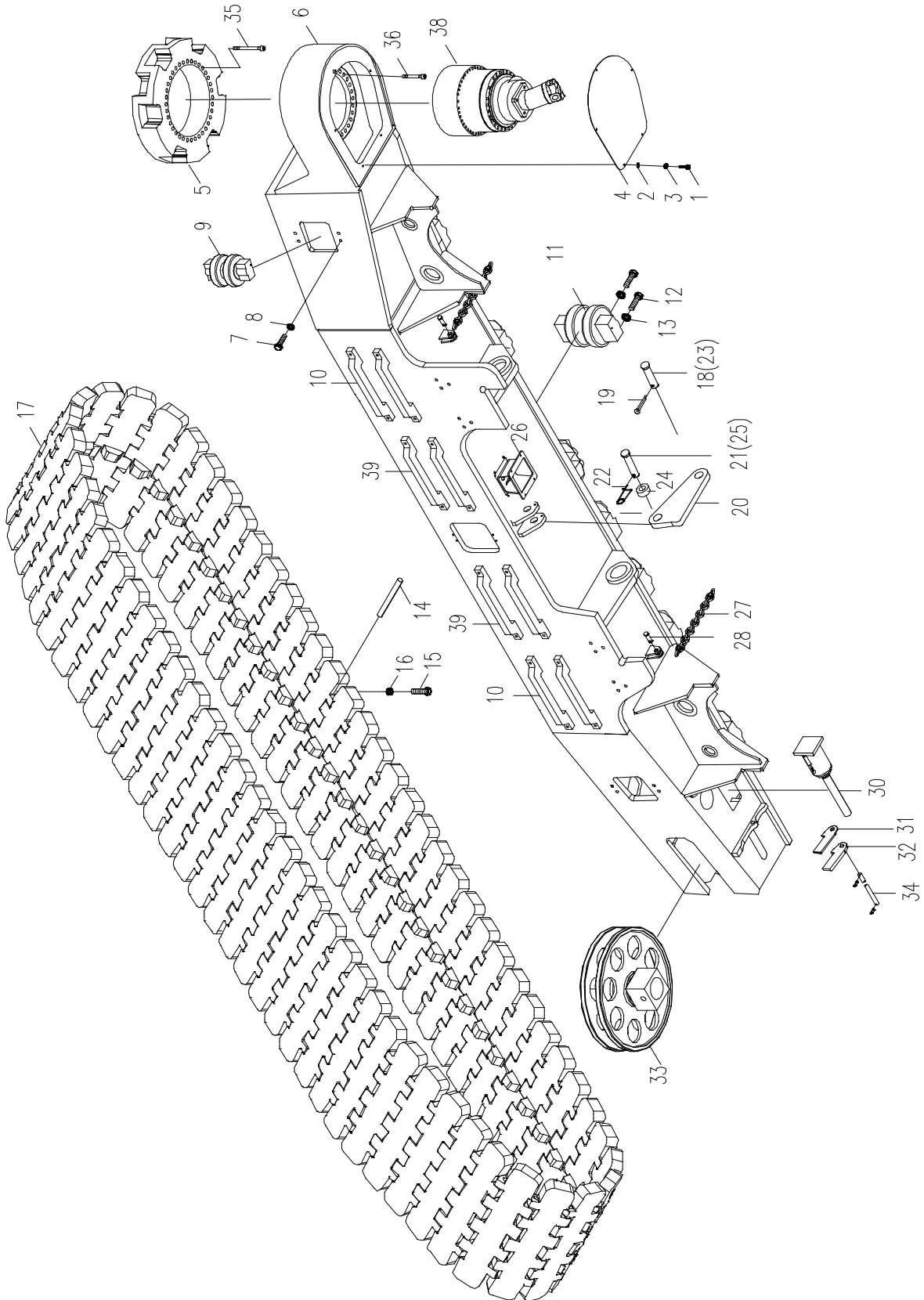
RIGHT CRAWLER CARRIER ASSY. D0066340252000000Y



RIGHT CRAWLER CARRIER ASSY. D0066340252000000Y

POS.	ITEM	DESCRIPTION & SPECIFICATION	QTY.	REMARKS
1	1040000116	Bolt M10x20-8.8 GB/T5783-2000	10	
2	1040300067	Washer 10 GB/T93-1987	10	
3	1040300061	Washer 10-200HV GB/T97.1-2002	10	
4	00663302400001011	Closed plate	1	
5	1031400034	Drive sprocket	1	
6	00663402450600000	Left crawler carrier and its attachments welded	1	
7	1040000145	Bolt M16x80-8.8 GB/T5783-2000	28	
8	1040300052	Washer 16-200HV GB/T97.1-2002	164	
9	1031400001	Track carrier roller assy.	3	
10	00663402420001020	Track carrier plate	4	
11	1031400002	Track roller	14	
12	1040000349	Bolt M30x180-10.9 GB/T1228-1991	56	
13	1040300178	Washer 30 GB/T1230-1991	56	
14	00663302400001022	Cotter pin	134	
15	1040000065	Bolt M16x45-8.8 GB/T5783-2000	134	
16	1040200161	Nut M16-8 GB/T889-1986	134	
17	1031400000	Track pad	67	
18	00663302400001042	Pin spindle	1	
19	1040500003	Cotter pin 2.5*30 GB/T91-2000	10	
20	00663302400001120	Lifting ring	3	
21	00663302400001032	Pin spindle	1	
22	00663605400201020	Retaining spring	7	
23	00663502400001060	Pin spindle	2	
24	00663502400001070	Spacing sleeve	8	
25	00663502400001050	Pin spindle	2	
26	00663402520001010	Quick-release coupling bracket	1	
27	1090100010	Lifting chain 10x30x900 ST100	4	
28	00663302400001052	Pin spindle	4	
30	00663302400001061	Thrust rod	2	
31	00663302400001101	Pad	14	
32	00663302400001111	Pad	4	
33	1031400003	Driven sprocket assy.	1	
34	00663302400001131	Pin spindle	2	
35	1040100310	Screw M33x200-10.9 GB/T70.1-2000	30	

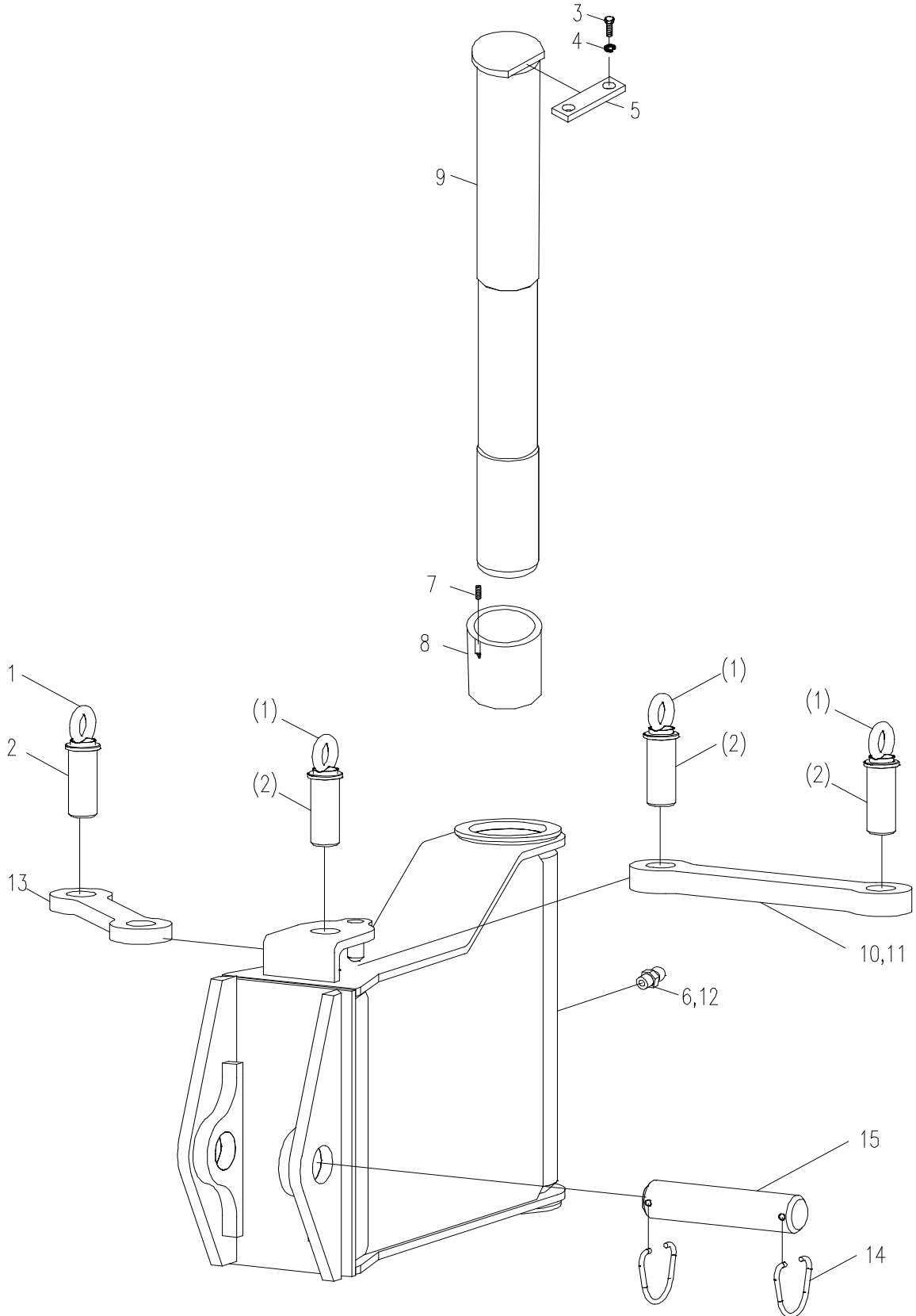
RIGHT CRAWLER CARRIER ASSY. D0066340252000000Y



RIGHT CRAWLER CARRIER ASSY. D0066340252000000Y

POS.	ITEM	DESCRIPTION & SPECIFICATION	QTY.	REMARKS
36	1040100373	Screw M33×110-10.9 GB/T70.1-2000	30	
37	202230025	1277 Thread sealant	1	E
38	1030200010	Travel motor+reducer	1	
39	00663302400001140	Track carrier plate	4	

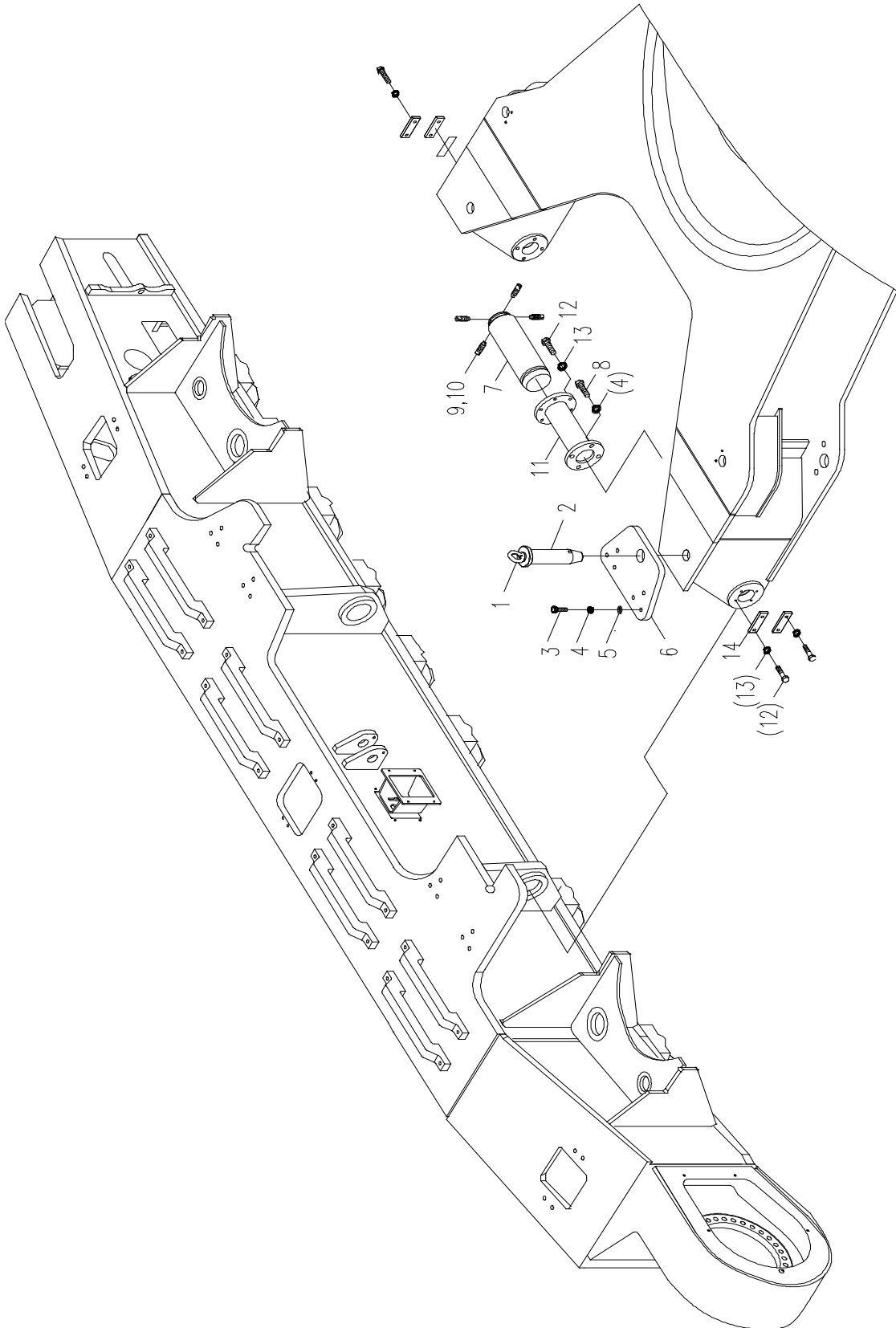
OUTRIGGER ASSEMBLY D0066340582000000Y



OUTRIGGER ASSEMBLY D0066340582000000Y

POS.	ITEM	DESCRIPTION & SPECIFICATION	QTY.	REMARKS
1	1040100182	Screw M12	12	
2	00663305800001071	Shaft	12	
3	1040000134	Bolt M16×25-8.8	8	
4	1040300065	Washer 16	8	
5	00663305800001020	Retaining plate	4	
6	1080000002	Oil cup M10×1	4	
7	1040100081	Screw M8×20-22H	16	
8	00663305800001040	Brass bush	8	
9	00663305800001030	Shaft	4	
10	1040501023	Retaining spring (D22,28)	8	
11	00663405820001020	Anchoring rod	4	
12	00663405820200000	Folding bracket welded	4	
13	00663405820001030	Anchoring rod	4	
14	00663405820001040	Retaining clip	8	
15	00663405820001010	Shaft	4	
16	204110013	Lithium base grease	1	

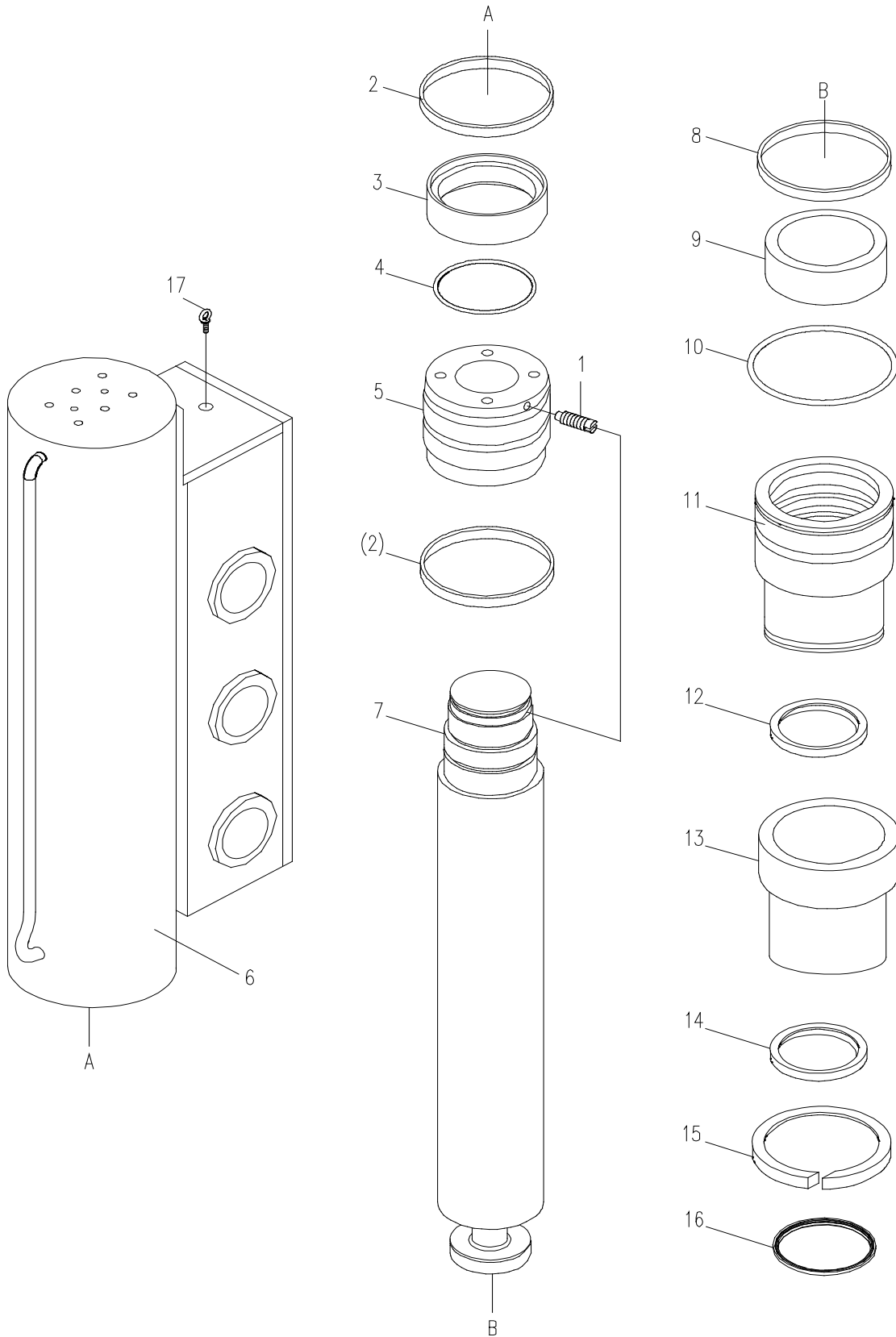
CRAWLER CARRIER ASSEMBLY D0066340961000000Y



CRAWLER CARRIER ASSEMBLY D0066340961000000Y

POS.	ITEM	DESCRIPTION & SPECIFICATION	QTY.	REMARKS
1	1040100100	Screw M20 GB825-1988	4	
2	00663309600001011	Shaft	4	
3	1040000055	Bolt M20x60-8.8 GB/T5783-2000	24	
4	1040300038	Washer 20 GB/T93-1987	48	
5	1040300106	Washer 20-200HV GB/T97.1-2002	24	
6	00663309600001030	Plate	4	
7	00663309600001020	Shaft	4	
8	1040000051	Bolt M20x45-8.8 GB/T5783-2000	24	
9	00663304900001060	Screw	16	
10	202230007	Loctite glue	1	
11	00663309600200000	Cylinder seat	4	
12	1040000140	Bolt M16x45-10.9 GB/T5783-2000	40	
13	1040300065	Washer 16 GB/T93-1987	40	
14	006340000056	Retaining plate 120	8	
15	204110014	Lithium base grease	1	

OUTRIGGER VERTICAL CYLINDER D0066330841070000Y



OUTRIGGER VERTICAL CYLINDER D0066330841070000Y

POS.	ITEM	DESCRIPTION & SPECIFICATION	QTY.	REMARKS
1	1040101152	Screw GB/T78-2000	1	
2	1081400935	Guide ring DXHK251500160AJFQ	2	
3	1081000349	Combination seal ring ZW016000260	1	
4	1081002073	O-ring GB/T1235-1976	1	
5	00631328420700001	Piston 1130-220000-1010	1	
6	00663308410701000	Cylinder	1	
7	00663308400702000	Piston rod	1	
8	1040301045	Retaining ring GB/T895.1-1986	1	
9	1054400067	Bushing SF-1 12550	1	
10	1081000039	O-ring GB1235-1976	1	
11	00631328420700002	Guide sleeve 1122-220020-1018	1	
12	1081002470	Step seal GS12506	1	
13	00631328420700004	Retaining ring 1122-220020-1028	1	
14	1081002263	U-ring GYU125140	1	
15	1040301259	Retaining ring GB/T894.1-1986	1	
16	1081200397	Dust ring FD125137	1	
17	1040100100	Screw GB/T825-1988	1	

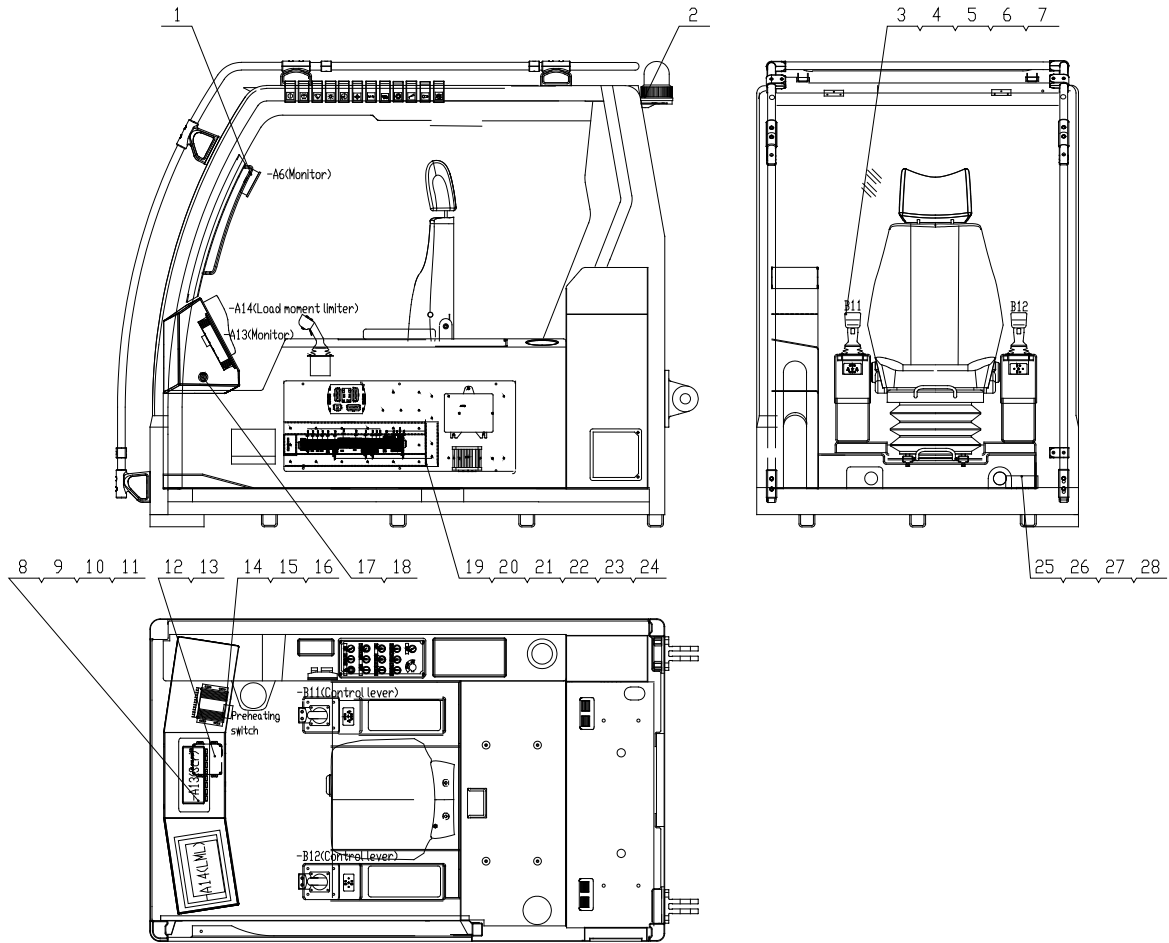


**Crawler Crane
Spare Parts Catalog**

Chapter 10 Electrical system



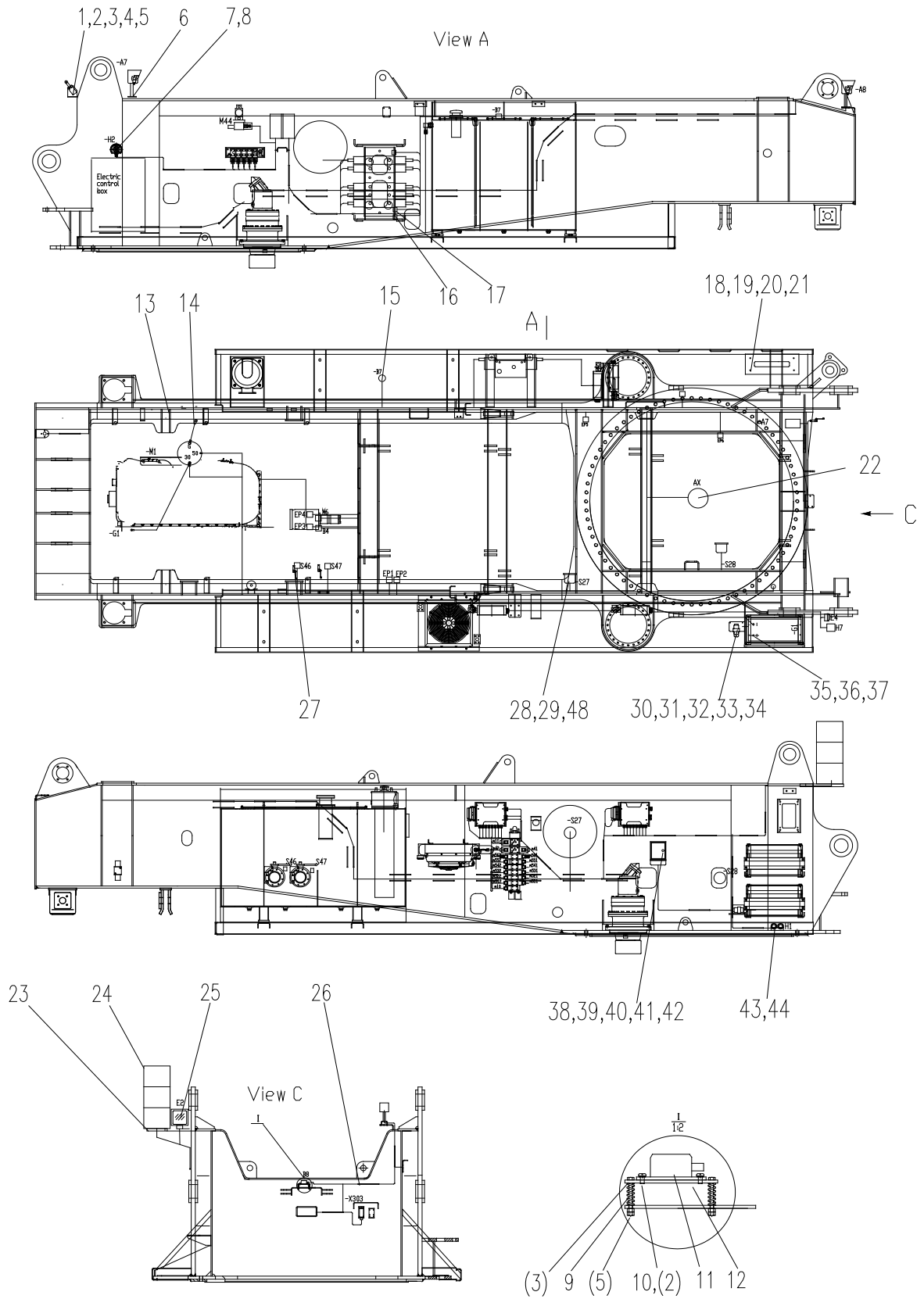
OPERATOR'S CAB ELECTRICS D0066340623000001Y



OPERATOR'S CAB ELECTRICS D0066340623000001Y

POS.	ITEM	DESCRIPTION & SPECIFICATION	QTY.	REMARKS
1	00663406220600001	Monitoring system assy.	1	
2	1020400324	LED acoustic signal light	1	
3	1031700013	Control level	2	
4	1040100052	Screw M6×20-4.8 GB/T818-2000	8	
5	1040300051	Washer 6-200HV GB/T97.1-2002	16	
6	00663406220001010	Nameplate	1	
7	00663046200001020	Nameplate	1	
8	1022002286	On-board screen terminal	1	
9	1040100047	Screw M4×20-4.8 GB/T818-2000	6	
10	1040300044	Washer 4 GB/T93-1987	6	
11	00663106210001030	ST104V5K Panel assembly	1	E
12	1029903426	On-board GPS/GPRS terminal	1	
13	1029801038	SIM card	1	
14	1040100064	Screw M3×16-4.8 GB/T818-2000	8	
15	1040300046	Washer 3 GB/T93-1987	8	
16	1040300047	Washer 3-200HV GB/T97.1-2002	8	
17	1020500059	Emergency stop button (φ30)	1	
18	1029802159	Emergency stop sign	1	
19	00663406230200001	Cable harness of operator's cab	1	
20	1040100120	Screw M5×10-4.8 GB/T818-2000	4	
21	1040300060	Washer 5 GB/T93-1987	4	
22	1040300048	Washer 5-200HV GB/T97.1-2002	4	
23	1040200111	Nut M6-8 GB/T6170-2000	6	
24	1040300062	Washer 6 GB/T93-1987	6	
25	1020500239	Foot pedal switch	1	
26	00663016210001020	Horn bracket	1	
27	1040000217	Bolt M4×16-8.8 GB/T5783-2000	4	
28	1040200100	Nut M4-8 GB/T6170-2000	4	
29	00663406230400001	Operator's cab components wiring diagram	1	
30	00663006232400000	Power indicator light bracket	1	
31	1040000098	Bolt M8×16-8.8 GB/T5783-2000	2	
32	1040200192	Nut M8-8 GB/T6170-2000	2	
33	1040300063	Washer 8 GB/T93-1987	2	
34	1990200002	Nylon strap 3×100(black)	20	
35	1990200007	Nylon strap 8×350(black)	15	

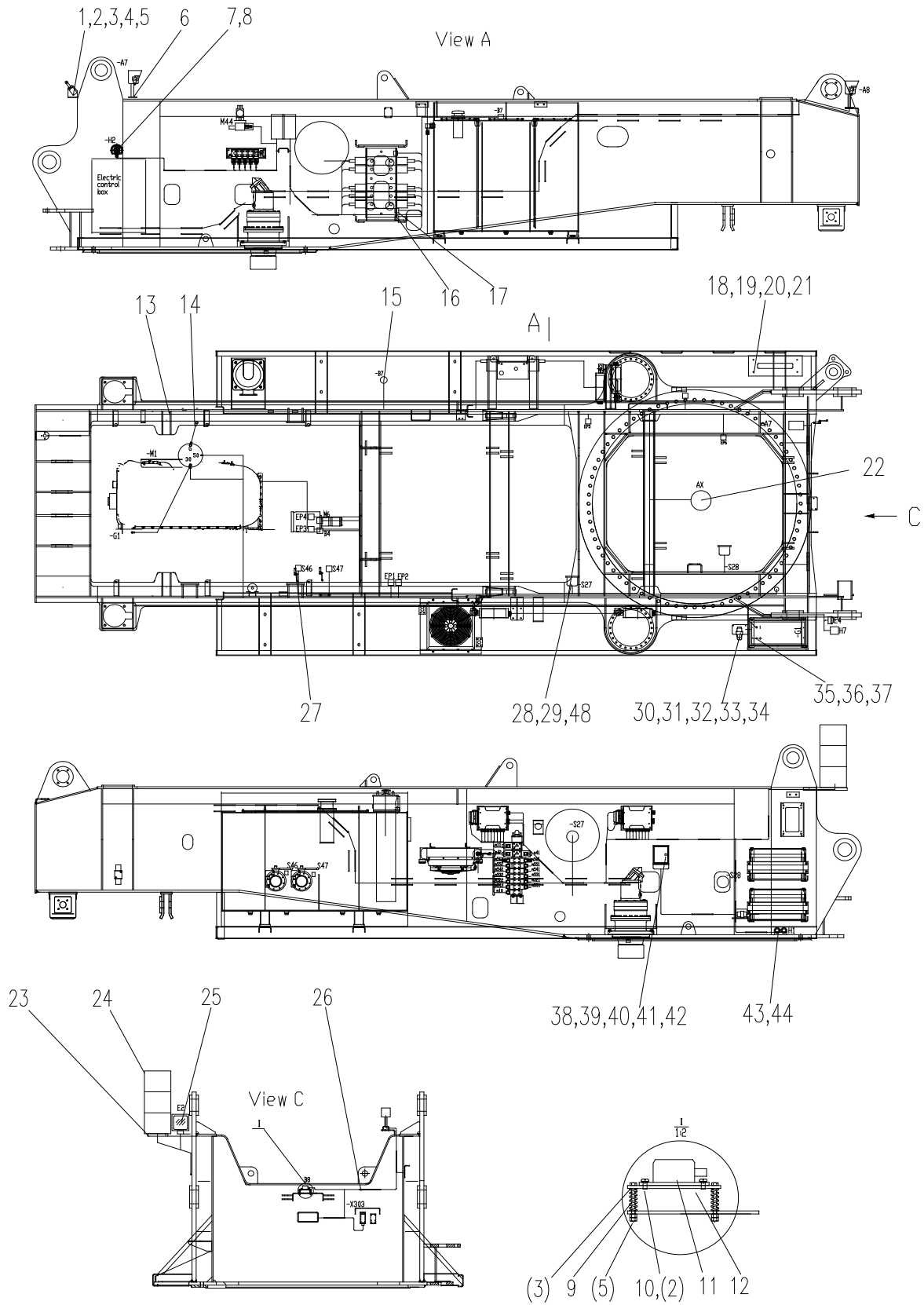
SLEWING TABLE ELECTRICS D0066340635000000Y



SLEWING TABLE ELECTRICS D0066340635000000Y

POS.	ITEM	DESCRIPTION & SPECIFICATION	QTY.	REMARKS
1	1020515019	Limit switch	1	
2	1040000219	Bolt M5×45-8.8 GB/T5783-2000	12	
3	1040300048	Washer 5-200HV GB/T97.1-2002	24	
4	1040300060	Washer 5 GB/T93-1987	12	
5	1040200107	Nut M5-8 GB/T6170-2000	12	
6	00663006320600002	Camera installation diagram	2	
7	1020400228	Alarm	1	
8	1040100063	Screw M4×12-4.8 GB/T818-2000	36	
9	00663006320001030	Spring	3	
10	1040100057	Screw M5×12-4.8 GB/T818-2000	5	
11	1021400015	Inclination sensor	1	
12	00663006320001020	Plate	1	
13	00663406350200000	Wire harness of slewing table	1	
14	00663406340600000	Slewing table components wiring	1	
15	1021400249	Fuel level sensor	1	
16	1021402686	Pressure sensor	5	
17	1021400292	Pressure sensor	1	
18	1040000018	Bolt M8×30-8.8 GB/T5783-2000	4	
19	1040300066	Washer 8-200HV GB/T97.1-2002	16	
20	1040300063	Washer 8 GB/T93-1987	16	
21	00663406350400000	electrical control box assy. for slewing table	1	
22	1020705168	Slide connector assy.	1	
23	00663400500001140	Tri-color light mounting bracket	1	
24	1020400086	LED acoustic signal light	1	
25	1020404400	LED work light	1	
26	1990200005	Nylon strap	50	
27	1020520559	Limit switch	2	
28	1021401030	Revolving coder	2	
29	1040100004	Screw M6×16-4.8 GB/T818-2000	6	
30	1020304682	Contactora	1	
31	1040000132	Bolt M10×16-8.8 GB/T5783-2000	4	
32	1040300067	Washer 10 GB/T93-1987	4	
33	1040300061	Washer 10-200HV GB/T97.1-2002	4	
34	1040200113	Nut M10-8 GB/T6170-2000	4	

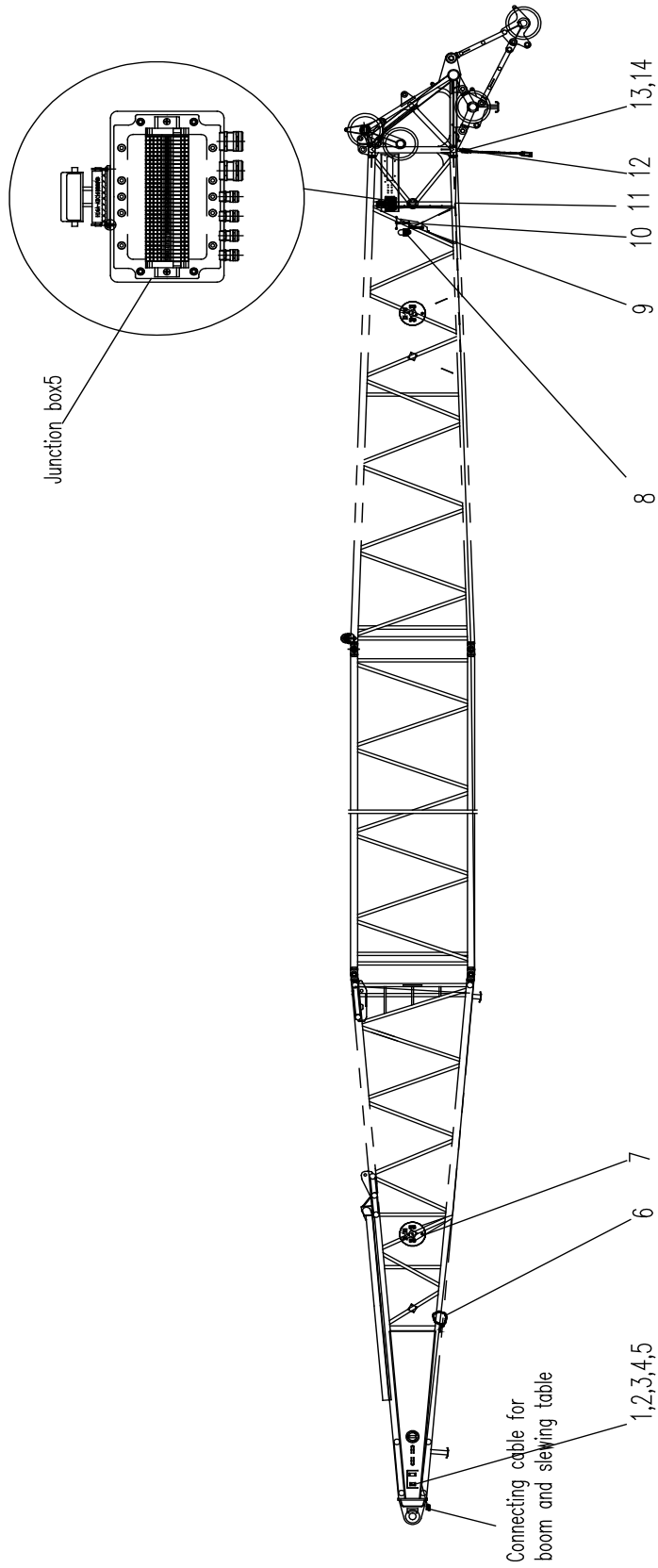
SLEWING TABLE ELECTRICS D0066340635000000Y



SLEWING TABLE ELECTRICS D0066340635000000Y

POS.	ITEM	DESCRIPTION & SPECIFICATION	QTY.	REMARKS
35	1020900004	Lead-acid battery	2	
36	1020600086	Positive pole of battery terminal	4	
37	1020600087	Negative pole of battery terminal	2	
38	1020500654	Battery master switch	1	
39	1040000109	Bolt M6×16-8.8 GB/T5783-2000	8	
40	1040300062	Washer 6 GB/T93-1987	16	
41	1040300051	Washer 6-200HV GB/T97.1-2002	8	
42	1040200111	Nut M6-8 GB/T6170-2000	6	
43	1029900063	Basin electric horn	1	
44	1040000288	Bolt M8×25-8.8 GB/T5783-2000	4	
45	1990200004	Nylon strap	50	E
46	1990200007	Nylon strap	50	E
47	1020700450	Corrugated pipe	1	E
48	1021401031	Coder connecting shaft		E

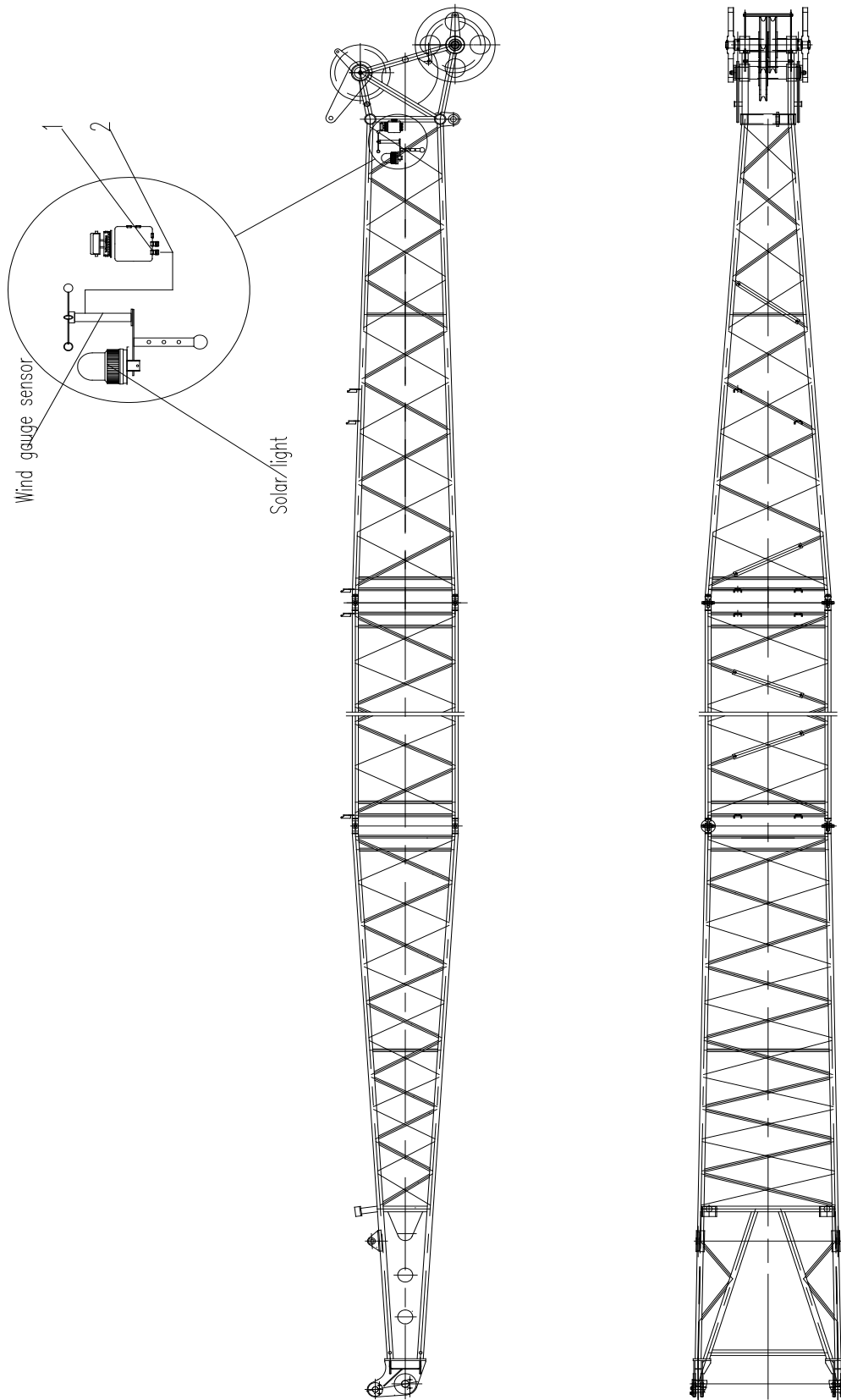
MAIN BOOM ELECTRICS D0066340642020000Y



MAIN BOOM ELECTRICS D0066340642020000Y

POS.	ITEM	DESCRIPTION & SPECIFICATION	QTY.	REMARKS
1	1029901282	Heavy-duty connector	1	
2	1020703153	Socket cover	1	
3	1020804597	Round metal cover	1	
4	1040100103	Screw M4×16-4.8 GB/T818-2000	4	
5	1040300045	Washer 4-200HV GB/T97.1-2002	4	
6	1090100222	Chain	5	
7	00663816401200000	Cable drum assy.	1	
8	1020400233	Solar light	1	
9	1040300044	Washer 4 GB/T93-1987	4	
10	1021403143	Wind gauge sensor	1	
11	00663406420210000	Main boom wire harness	1	
12	1999900014	Weight assy.	2	
13	1021402308	Hoisting limit switch	2	
14	1029900210	Water-proof cable joint	2	
15	00663406420220000	Boom components wiring diagram	1	
16	1990200007	Nylon strap	50	

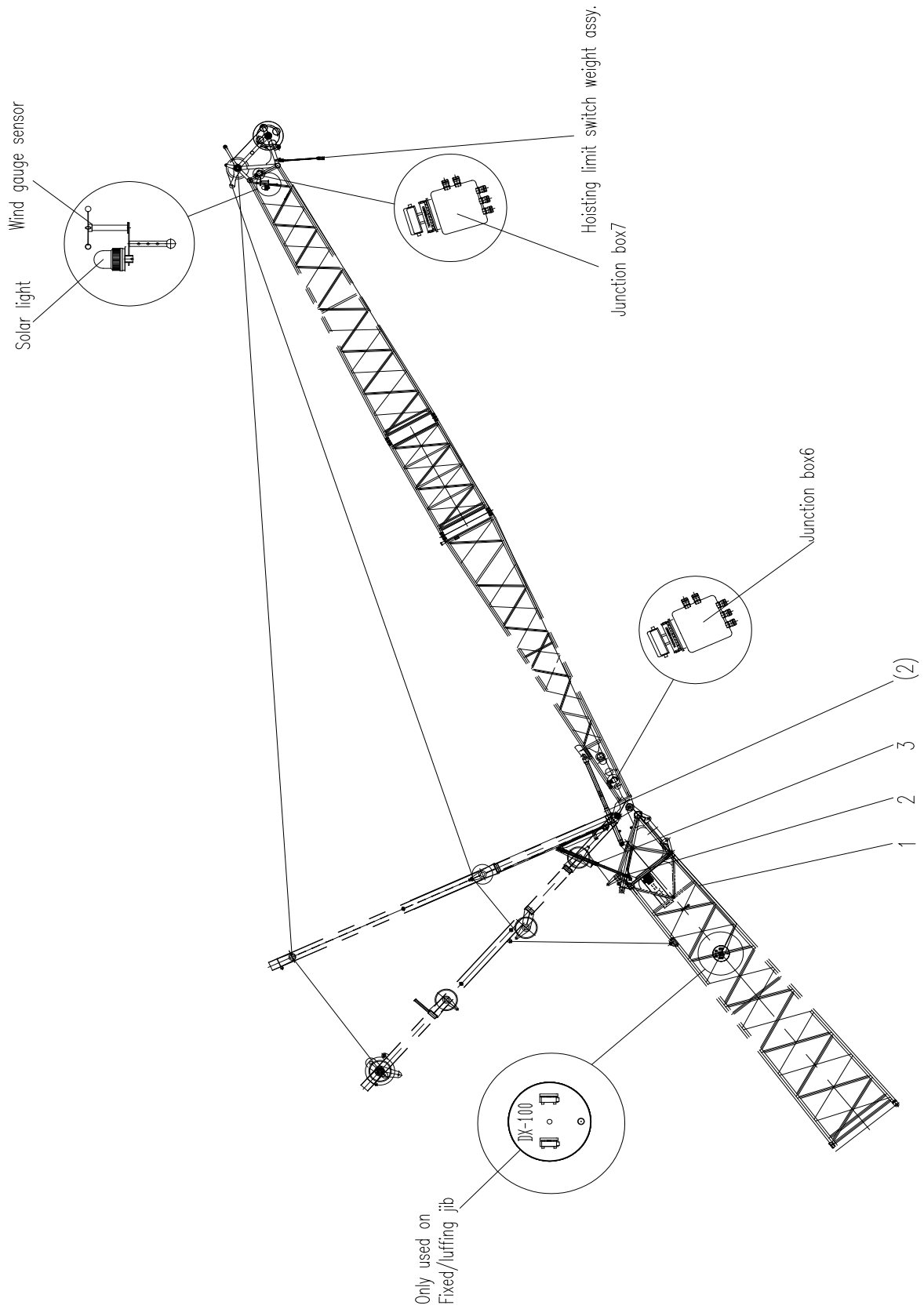
FIXED JIB ELECTRICS D00663406420400000Y



FIXED JIB ELECTRICS D00663406420400000Y

POS.	ITEM	DESCRIPTION & SPECIFICATION	QTY.	REMARKS
1	00663406410410003	Fixed jib wire harness	1	
2	1020703944	Wind gauge cable	1	
3	1990200007	Nylon strap	20	

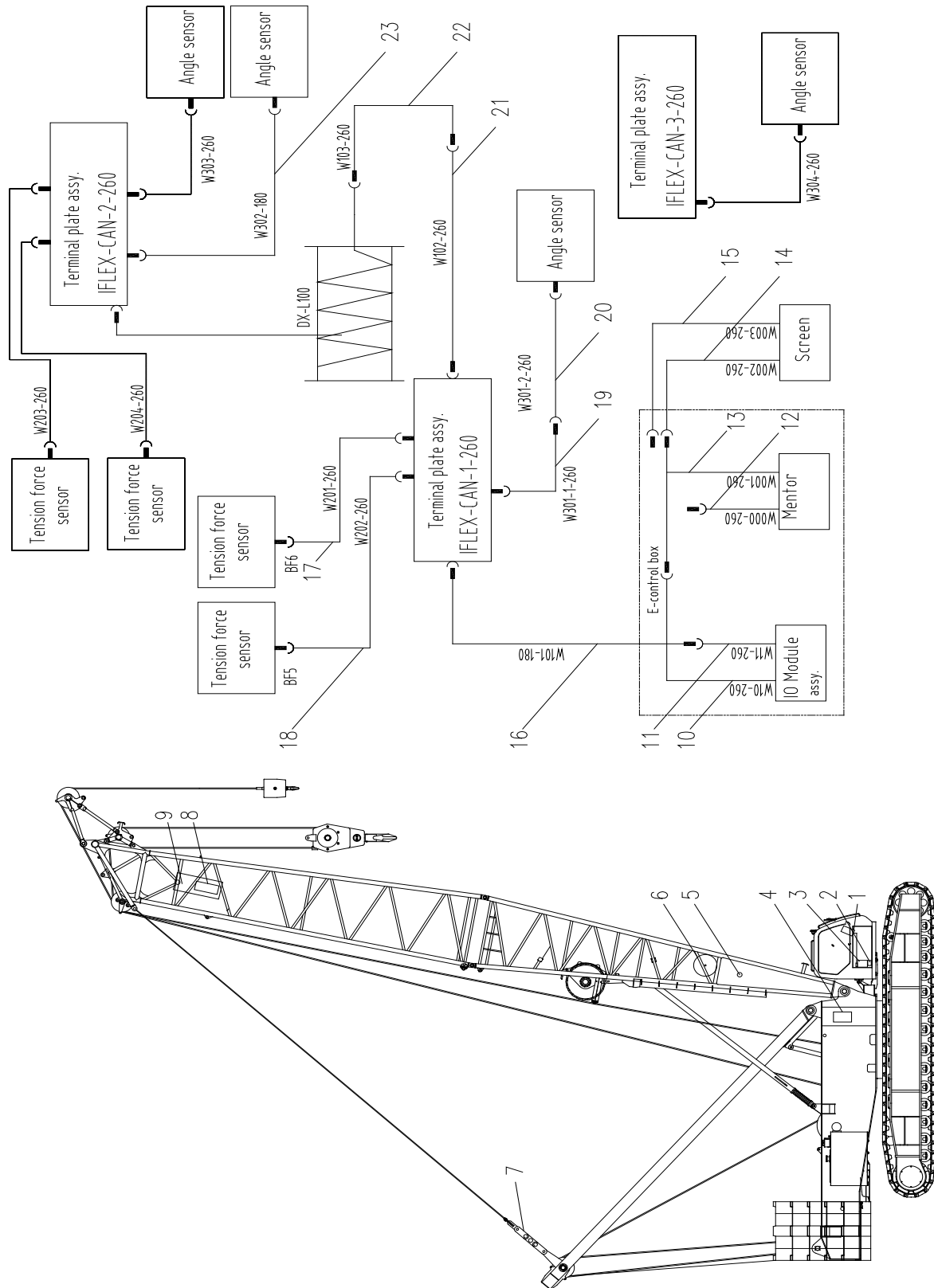
LUFFING JIB ELECTRICS D0066340642060000Y



LUFFING JIB ELECTRICS D0066340642060000Y

POS.	ITEM	DESCRIPTION & SPECIFICATION	QTY.	REMARKS
1	00663406420610000	Luffing jib wire harness	1	
2	1021402319	Proximity switch	4	
3	1021402686	Pressure sensor	2	
4	1020703944	Wind gauge cable	1	

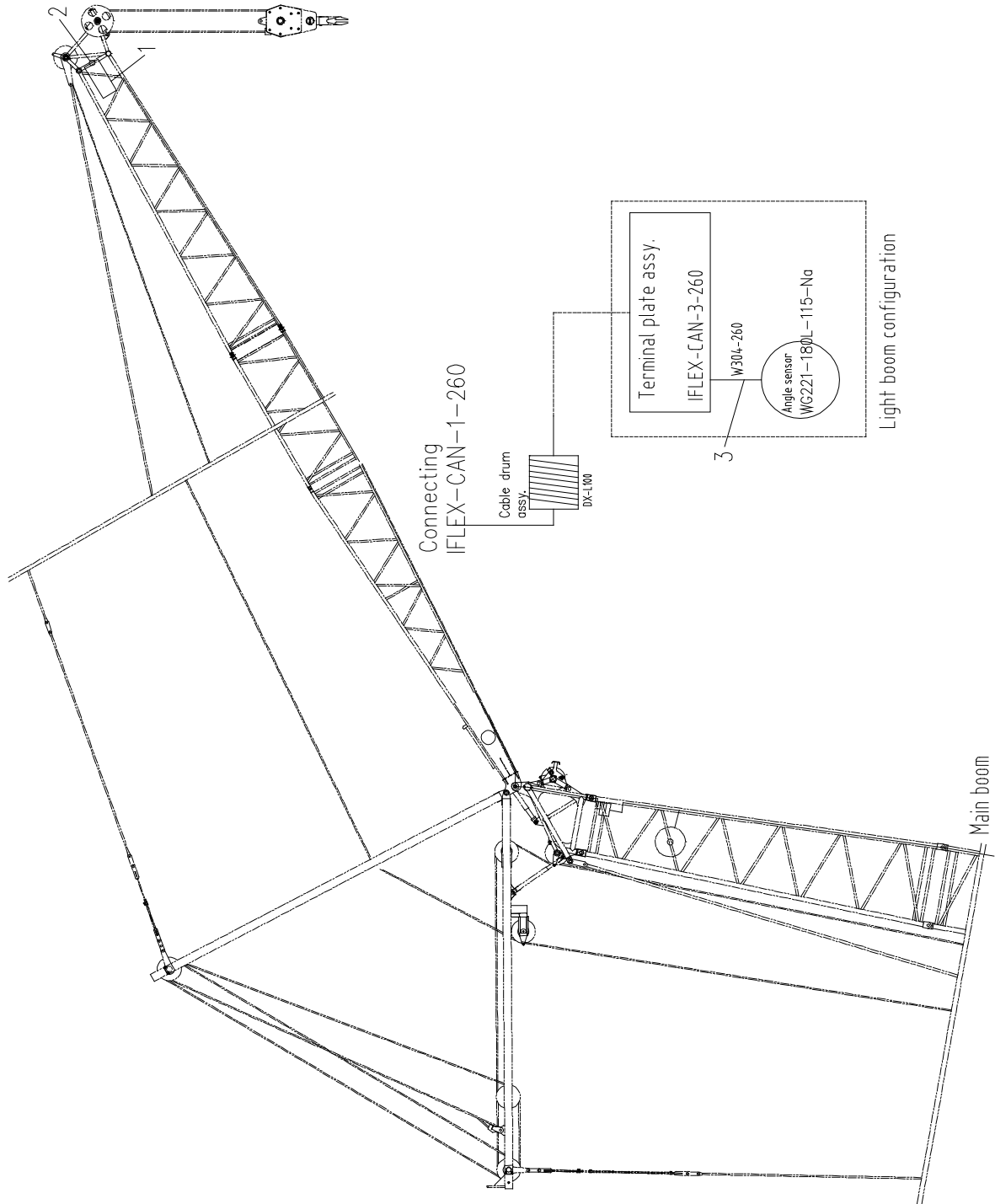
**HIRSCHMANN LOAD MOMENT LIMITER ASSEMBLY
(STANDARD BOOM CONFIGURATION) D00663405610210001Y**



**HIRSCHMANN LOAD MOMENT LIMITER ASSEMBLY
(STANDARD BOOM CONFIGURATION) D00663405610210001Y**

POS.	ITEM	DESCRIPTION & SPECIFICATION	QTY.	REMARKS
1	1022002278	Display 10.4" TFT-LCD	1	
2	1020201618	IO module assy. IO_Module-350	1	
3	1021403640	Mentor HC4900-ZCC2600	1	
4	1020701479	Terminal plate assy. IFLEX-CAN-1-260	1	
5	1021402993	Angle sensor WG221-090L-115-Na	1	
6	1022305500	Cable drum assy. 10-core DX-L100	1	
7	1021403488	Tension force sensor KMD80	2	
8	1020701480	Terminal plate assy. IFLEX-CAN-2-260	1	
9	1021402994	Angle sensor	1	
10	1022305493	14-core wire harness assy. W10-260	1	
11	1022305494	18-core wire harness assy. W11-260	1	
12	1022305495	20-core cable assy. W000-260	1	
13	1022305496	4-core cable assy. W001-260	1	
14	1022305497	4-core cable assy. W002-260	1	
15	1022305498	4-core cable assy. W003-260	1	
16	1022305501	10-core cable assy. W101-180	1	
17	1020701470	4-core cable assy. W201-260	1	
18	1020701471	4-core cable assy. W202-260	1	
19	1020701474	4-core cable assy. W301-1-260	1	
20	1020701475	4-core cable assy. W301-2-260	1	
21	1020701469	10-core cable assy. W102-260	1	
22	1022305499	10-core cable assy. W103-260	1	
23	1022305502	3-core cable assy. W302-180	1	
24	1029900296	10-core socket case HLE10BH+CR	1	E

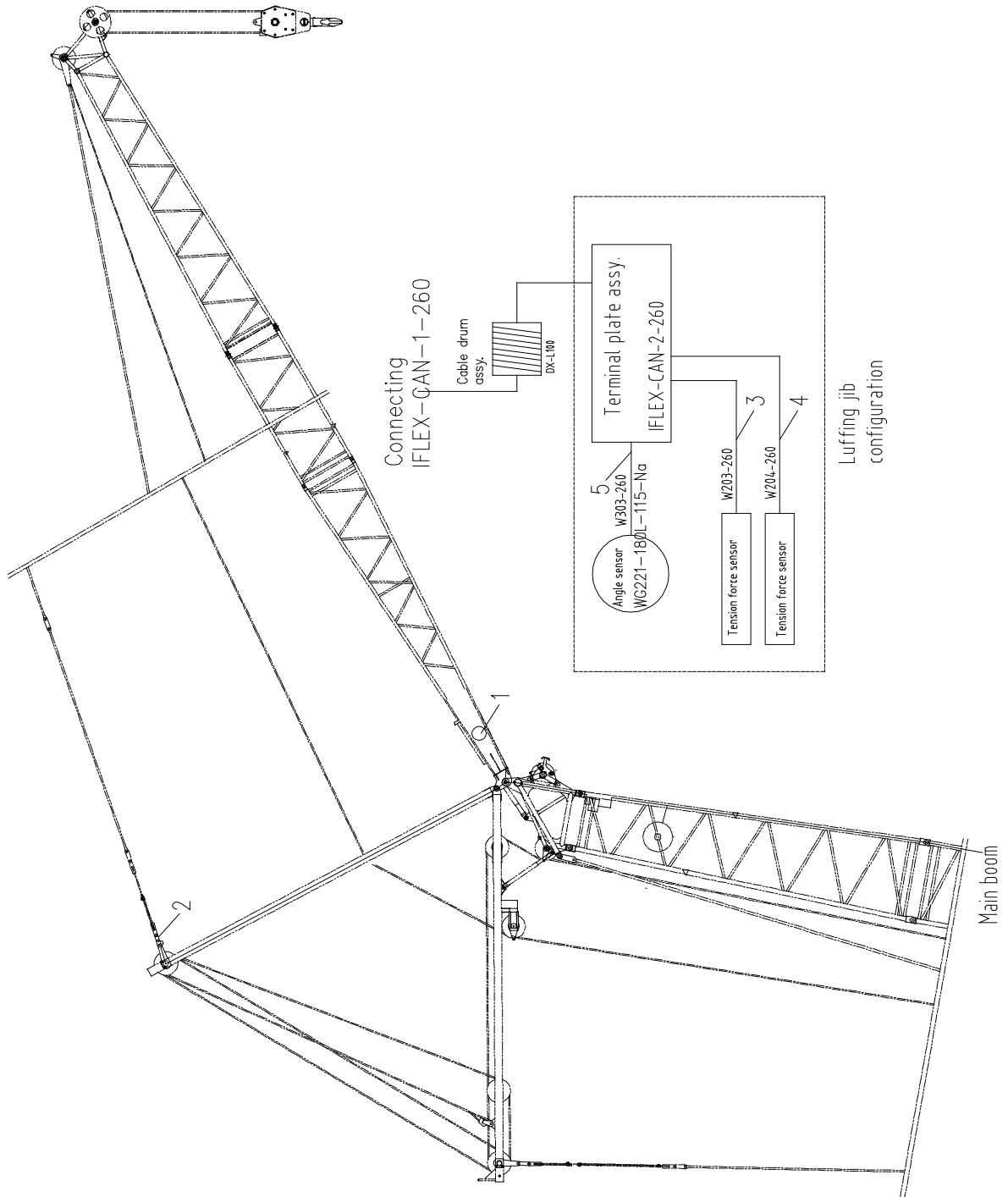
HIRSCHMANN LOAD MOMENT LIMITER ASSEMBLY (LIGHT BOOM CONFIGURATION) D00663405610230000Y



**HIRSCHMANN LOAD MOMENT LIMITER ASSEMBLY (LIGHT
BOOM CONFIGURATION) D00663405610230000Y**

POS.	ITEM	DESCRIPTION & SPECIFICATION	QTY.	REMARKS
1	1020701481	Terminal plate assy. IFLEX-CAN-3-260	1	
2	1021402994	Angle sensor WG221-180L-115-Na	1	
3	1020701478	4-core cable assy. W304-260	1	

HIRSCHMANN LOAD MOMENT LIMITER ASSEMBLY (LUFFING JIB CONFIGURATION) D00663405610220000Y



**HIRSCHMANN LOAD MOMENT LIMITER ASSEMBLY (LUFFING
JIB CONFIGURATION) D00663405610220000Y**

POS.	ITEM	DESCRIPTION & SPECIFICATION	QTY.	REMARKS
1	1021402994	Angle sensor	1	
2	1021403487	Tension force sensor KMD55	2	
3	1020701472	4-core cable assy. W203-260	1	
4	1020701473	4-core cable assy. W204-260	1	
5	1020701477	4-core cable assy. W303-260	1	

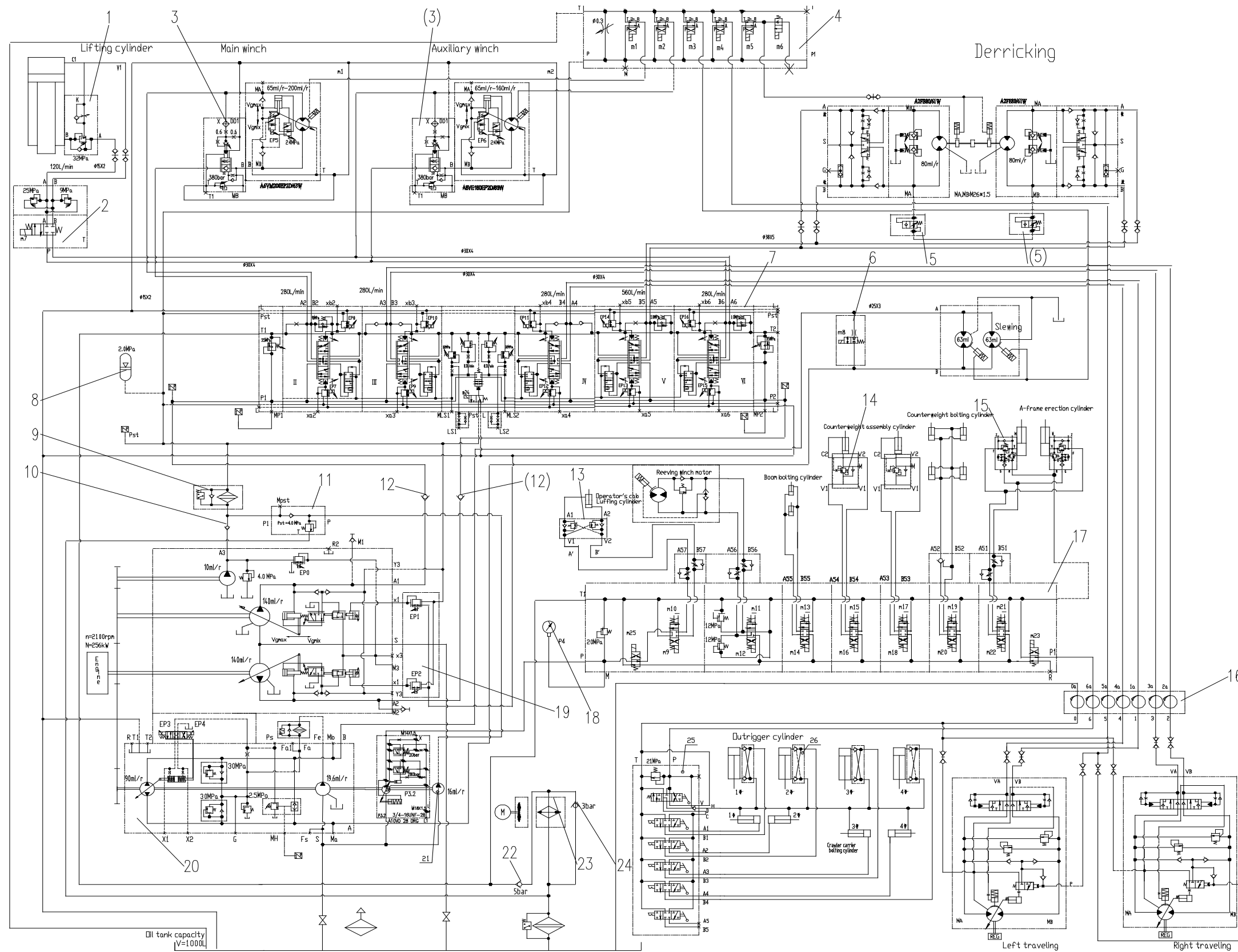


**Crawler Crane
Spare Parts Catalog**

Chapter 11 Hydraulic system



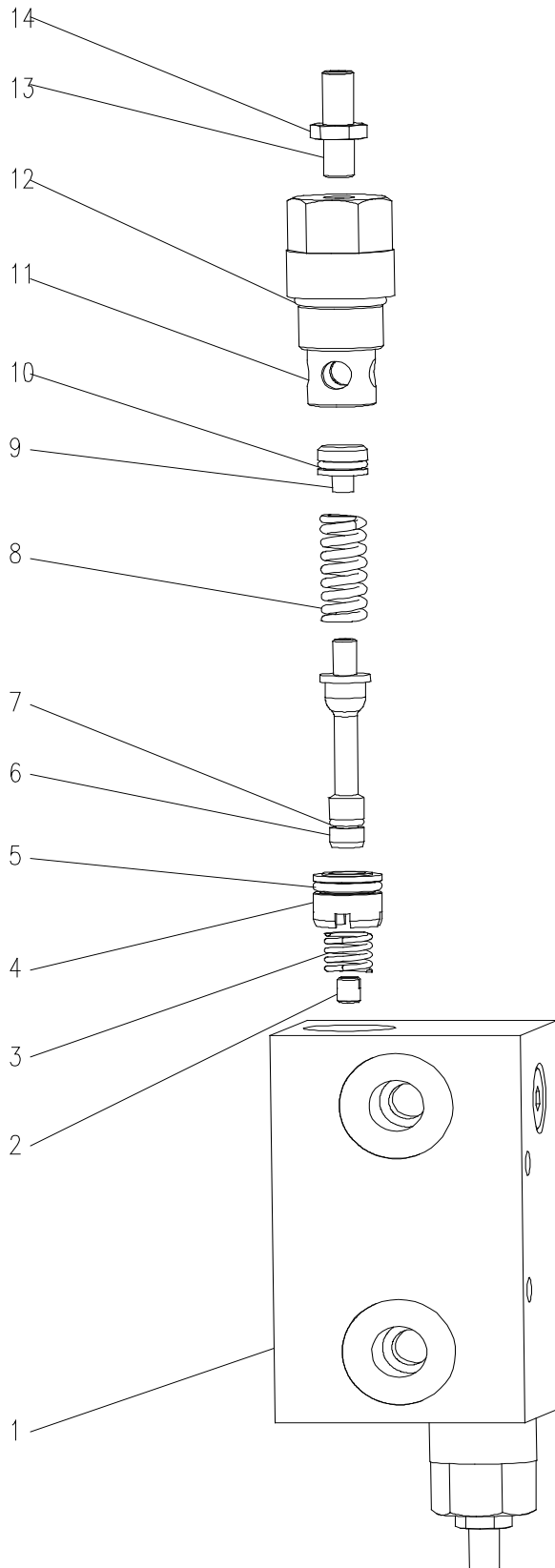
HYDRAULIC SYSTEM DIAGRAM D0066340154000001Y



HYDRAULIC SYSTEM DIAGRAM D0066340154000001Y

POS.	ITEM	DESCRIPTION & SPECIFICATION	QTY.	REMARKS
1	1010300201	Balance valve	1	
2	1010302667	Boom lifting valve block	1	
3	1010301194	Hoisting balance valve	2	
4	1010300433	Control valve block I	1	
5	1010300322	Anti-explosion valve for pipe	2	
6	1010301868	Control valve	1	
7	1010300032	Quintuple proportional valve	1	
8	1010800009	Accumulator	1	
9	1010600005,	Pressure oil filter	1	
10	1010300128	Check valve	1	
11	1010302669	overflow valve	1	
12	1010300073	S-shaped check valve	2	
13	1010300034	Bidirectional balance valve	1	
14	1010300200	Balance valve	2	
15	1010302876	A-frame erection balance valve	2	
16	1011200000	Central revolving joint	1	
17	1010300434	Control valve block I	1	
18	1019900192	Pressure gauge	1	
19	1010301687	proportional pressure release valve	1	
20	1010000746	Main pump	1	
21	1010000331	Gear pump	1	
22	1010300134	Check valve	1	
23	1010400237	Oil cooler	1	
24	1010300133	Check valve	1	
25	1010300033	Undercarriage control valve	1	
26	1010300280	Bidirectional hydraulic lock	4	

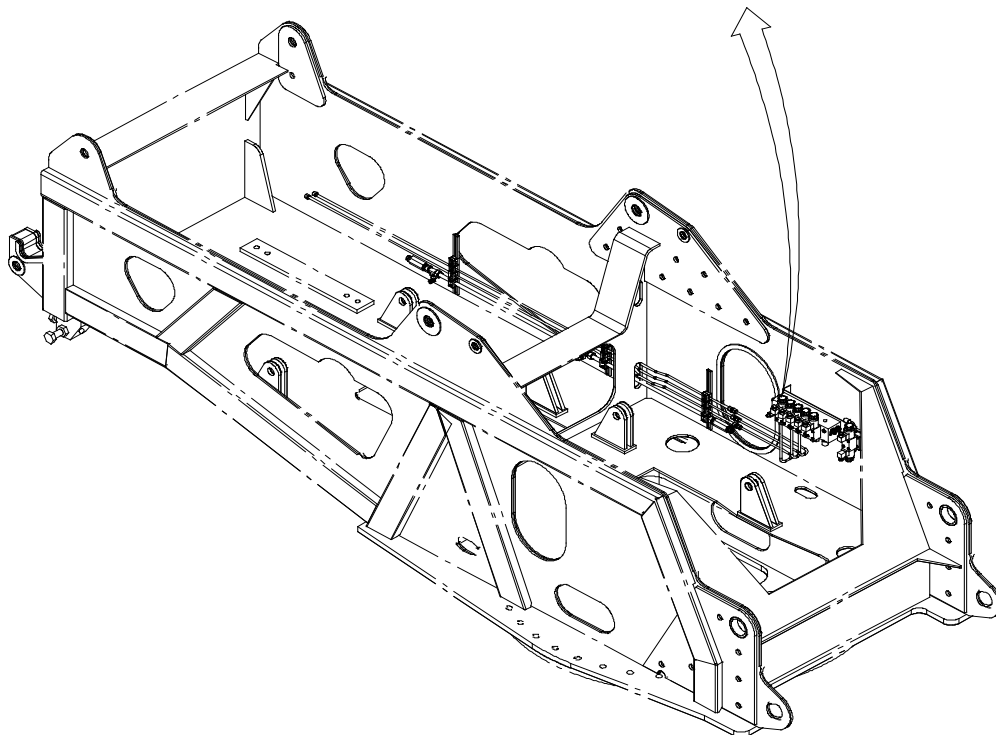
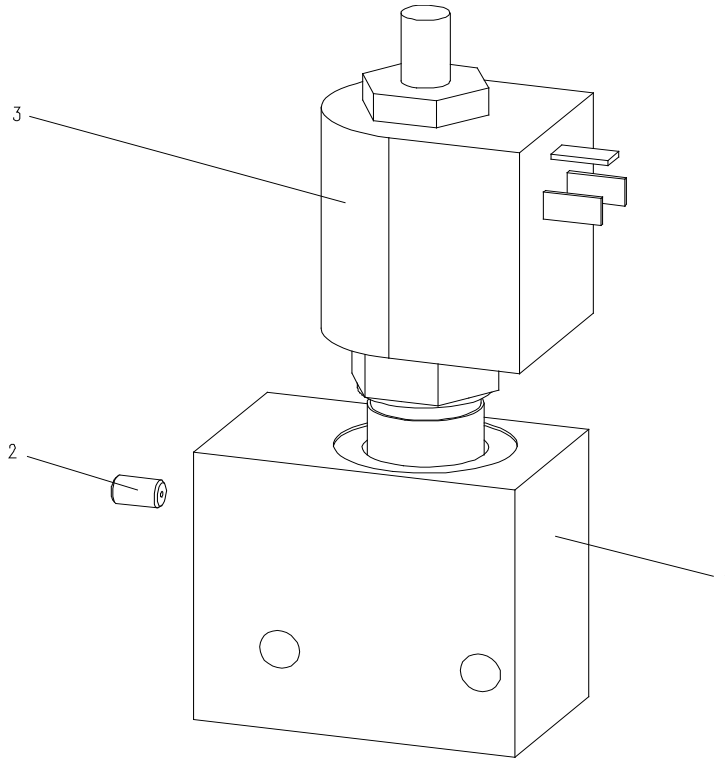
BIDIRECTIONAL BALANCE VALVE D1010300034-006500Y



BIDIRECTIONAL BALANCE VALVE D1010300034-006500Y

POS.	ITEM	DESCRIPTION & SPECIFICATION	QTY.	REMARKS
1	(1)	Stator	1	
2	(2)	Rotor	1	
3	1019804150	Sealing element	1	
4	1019804152	Rotating sealing element	7	
5	1019804151	Sealing element	1	
6	(3)	Cover component	1	
7	1040301750	Washer	5	
8	1040000109	Bolt	5	

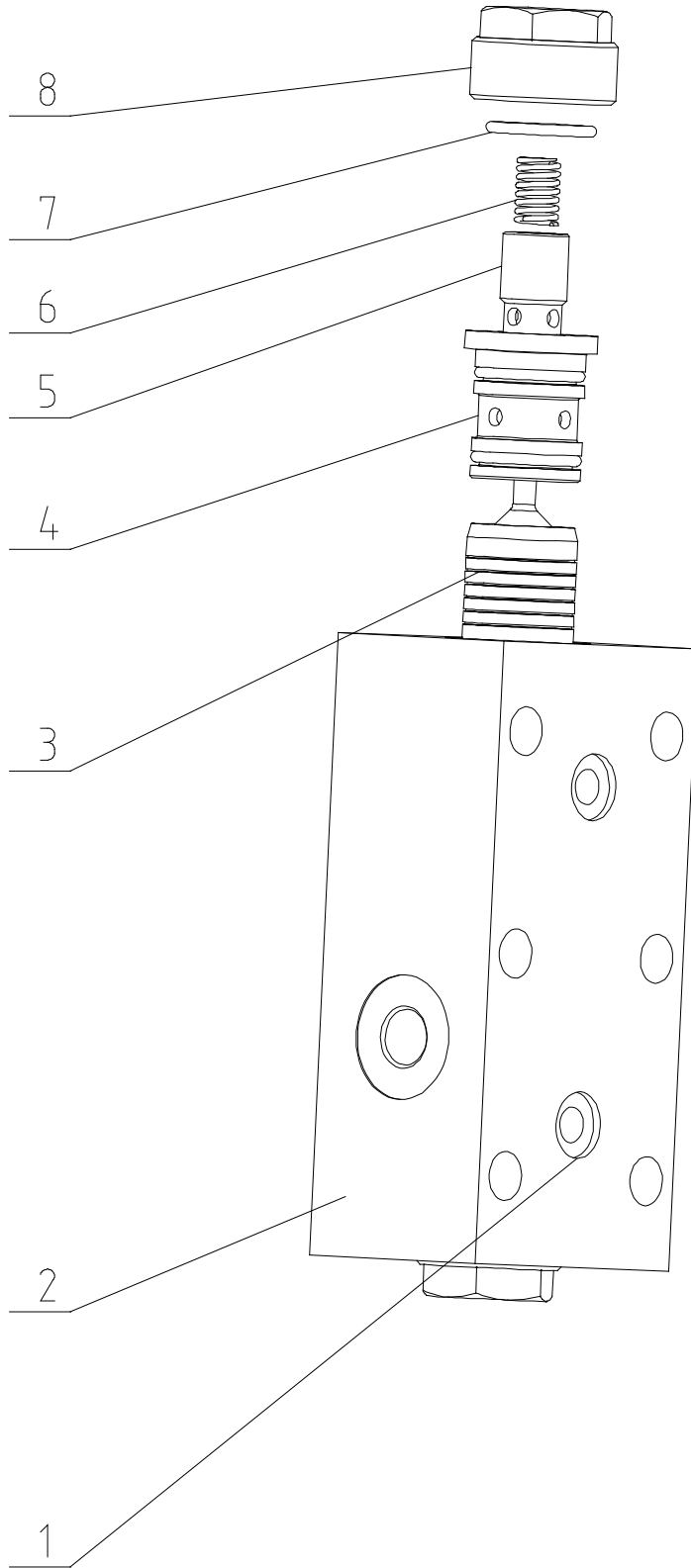
CONTROL VALVE D1010301868-006500Y



CONTROL VALVE D1010301868-006500Y

POS.	ITEM	DESCRIPTION & SPECIFICATION	QTY.	REMARKS
1	ZYKF-G4L-1	Valve	1	
2	ZYKZ-G6L-08	Damping plug	1	
3	EP-08W-2A-31-N-05	2 position 3 way solenoid valve	1	

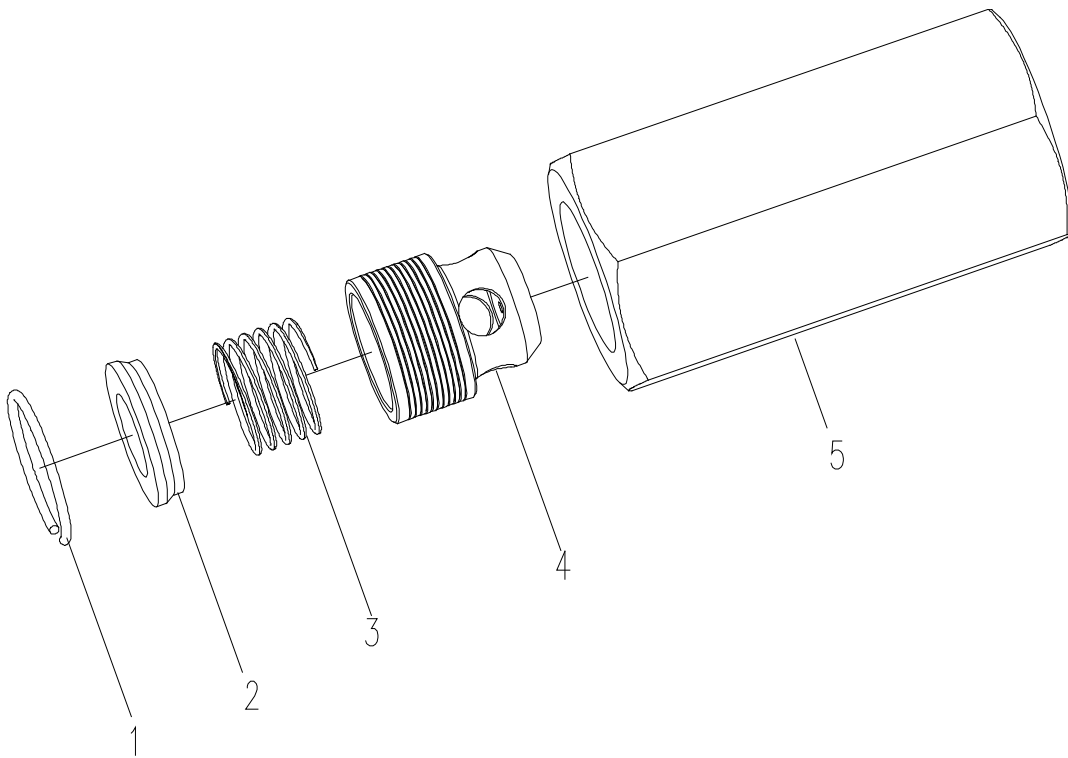
BIDIRECTIONAL HYDRAULIC LOCK D1010300280-006500Y



BIDIRECTIONAL HYDRAULIC LOCK D1010300280-006500Y

POS.	ITEM	DESCRIPTION & SPECIFICATION	QTY.	REMARKS
1	GB1235-76	O-ring 15x2.4	2	
2	2SO3-J8B-A-1	Valve	1	
3	DDF-B8E1-A-2	Plunger	1	
4	Q84-12B-29-3	Steel sleeve	2	
5	Q84-12B-29-4	Check valve	2	
6	Q84-12B-29-6	Spring	2	
7	GB1235-76	O-ring 25x2.4	6	
8	XC-LD33-091	Plug	2	

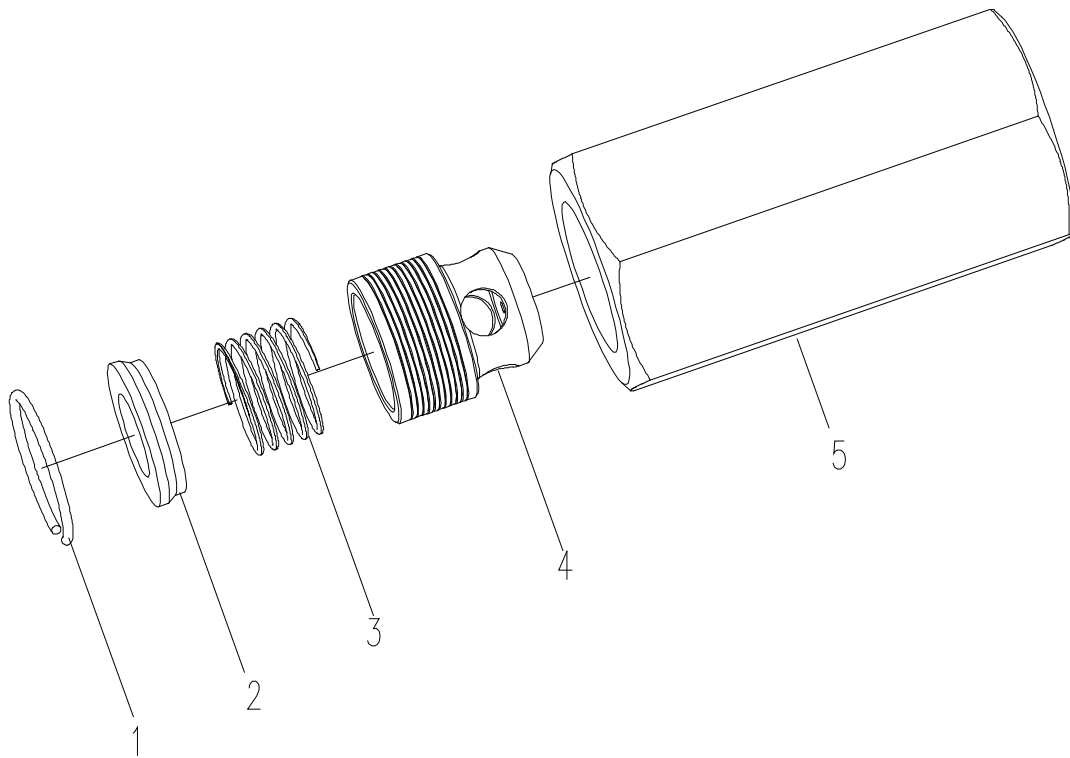
CHECK-VALVE D1010300128-101260Y



CHECK-VALVE D1010300128-101260Y

POS.	ITEM	DESCRIPTION & SPECIFICATION	QTY.	REMARKS
1	1010300128	Piston ring	1	
2	1010300128	Spring seat	1	
3	1010300128	Spring	1	
4	1010300128	Check valve core	1	
5	1010300128	Valve	1	

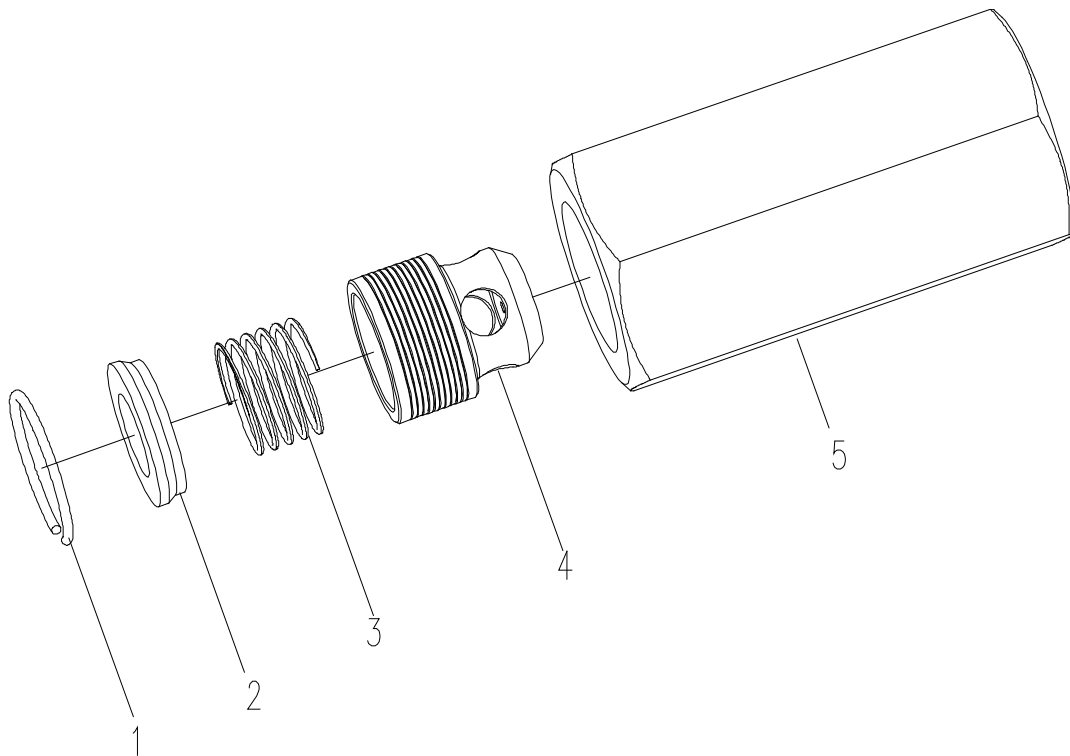
CHECK-VALVE D1010300133-101260Y



CHECK-VALVE D1010300133-101260Y

POS.	ITEM	DESCRIPTION & SPECIFICATION	QTY.	REMARKS
1	1010300133	Piston ring	1	
2	1010300133	Spring seat	1	
3	1010300133	Spring	1	
4	1010300133	Check valve core	1	
5	1010300133	Valve	1	

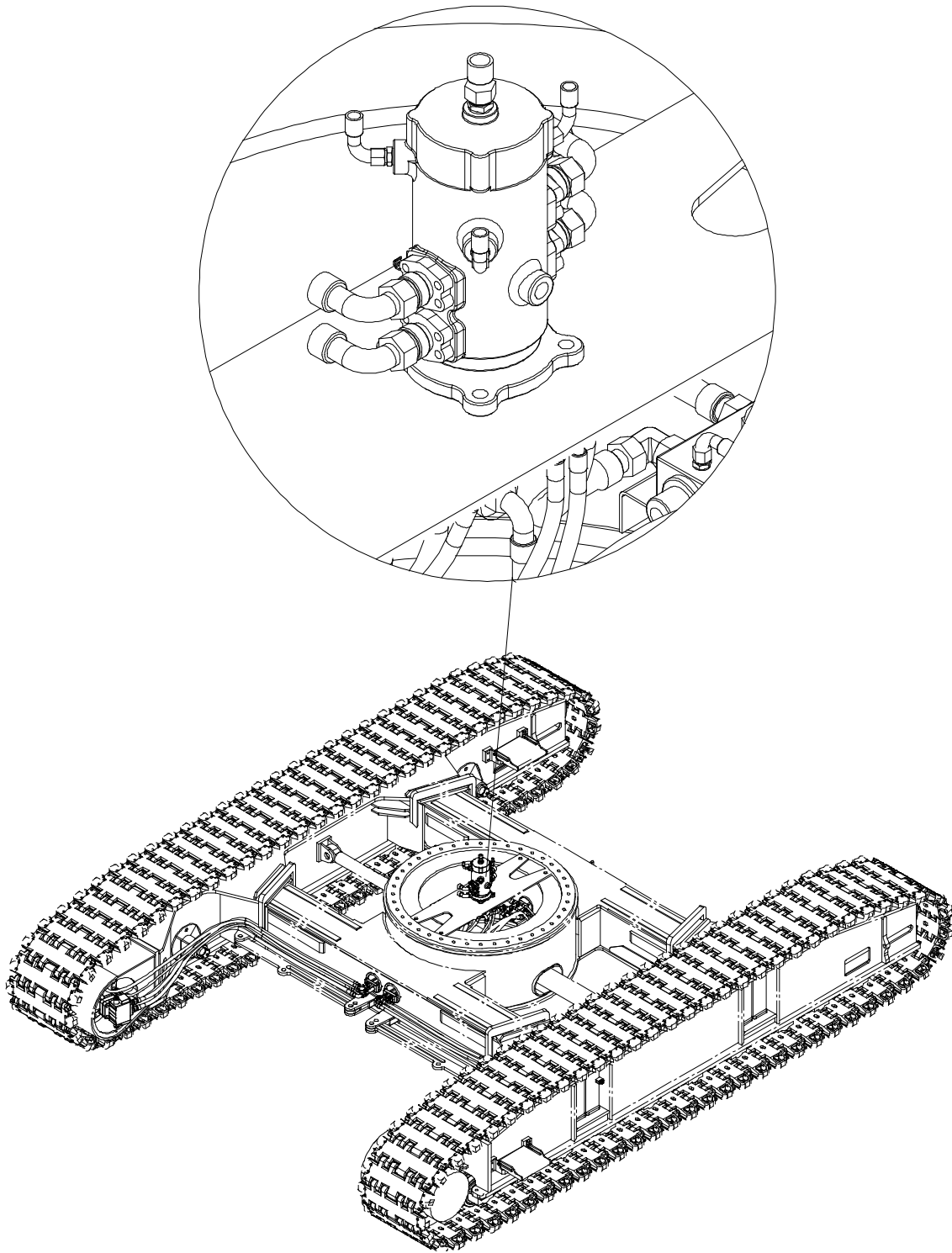
CHECK-VALVE D1010300134-101260Y



CHECK-VALVE D1010300134-101260Y

POS.	ITEM	DESCRIPTION & SPECIFICATION	QTY.	REMARKS
1	1010300134	Piston ring	1	
2	1010300134	Spring seat	1	
3	1010300134	Spring	1	
4	1010300134	Check valve core	1	
5	1010300134	Valve	1	

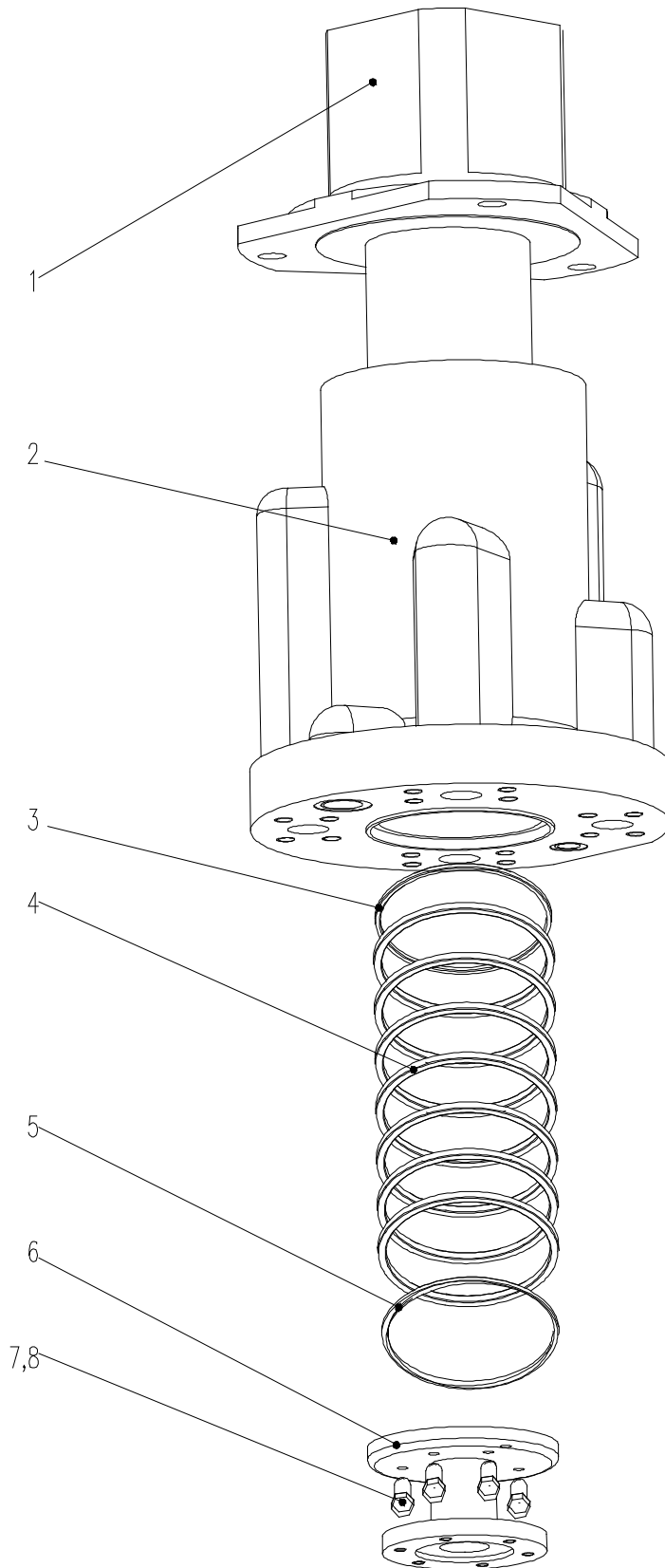
CENTRAL REVOLVING JOINT D1011200000-10027Y



CENTRAL REVOLVING JOINT D1011200000-10027Y

POS.	ITEM	DESCRIPTION & SPECIFICATION	QTY.	REMARKS
1	(1)	Stator	1	
2	(2)	Rotor	1	
3	1019804150	Sealing element	1	
4	1019804152	Rotating sealing element	7	
5	1019804151	Sealing element	1	
6	(3)	Cover component	1	
7	1040301750	Washer	5	
8	1040000109	Bolt	5	

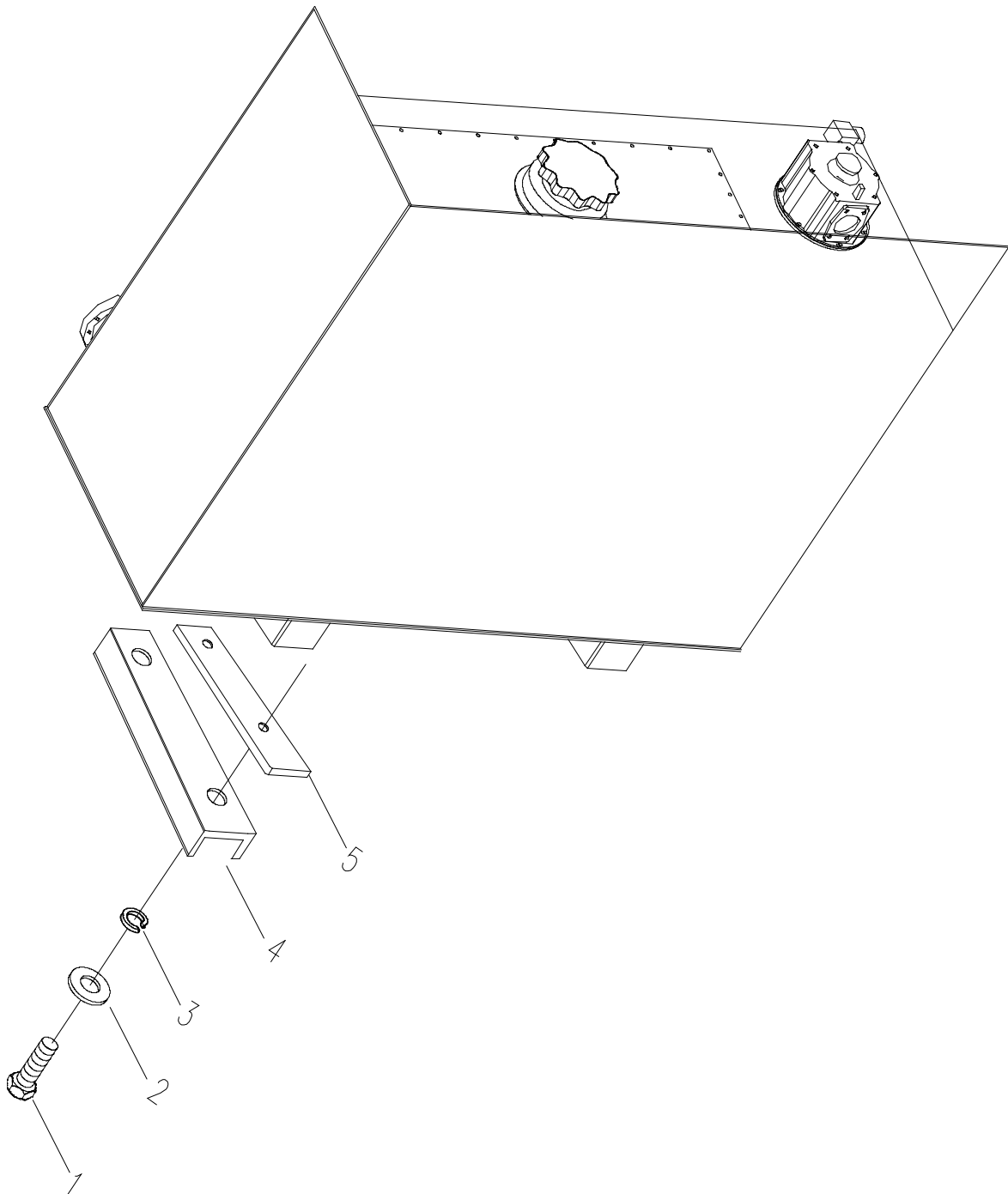
CENTRAL REVOLVING JOINT D1011200000-10027Y



CENTRAL REVOLVING JOINT D1011200000-10027Y

POS.	ITEM	DESCRIPTION & SPECIFICATION	QTY.	REMARKS
1	(1)	Stator	1	
2	(2)	Rotor	1	
3	1019804150	Sealing element	1	
4	1019804152	Rotating sealing element	7	
5	1019804151	Sealing element	1	
6	(3)	Cover component	1	
7	1040301750	Washer	5	
8	1040000109	Bolt	5	

HYDRAULIC OIL TANK ASSEMBLY D00663404800200000Y



HYDRAULIC OIL TANK ASSEMBLY D00663404800200000Y

POS.	ITEM	DESCRIPTION & SPECIFICATION	QTY.	REMARKS
1	1040000198	Bolt M16×50-8.8	4	1
2	1040300052	Washer	4	2
3	1040300065	Washer	4	3
5	00663401120001010	Rubber pad	2	5